

DAMMON ENGINEERING, INC.

CHIEF ENGINEER
EMMETT DAMMON, P.E.

CHIEF ARCHITECT
ROBERT WILTSE

1095 FLORIDA AVENUE
SUDELL, LA. 70458
OFFICE: 985-649-5832
FAX: 985-641-5950

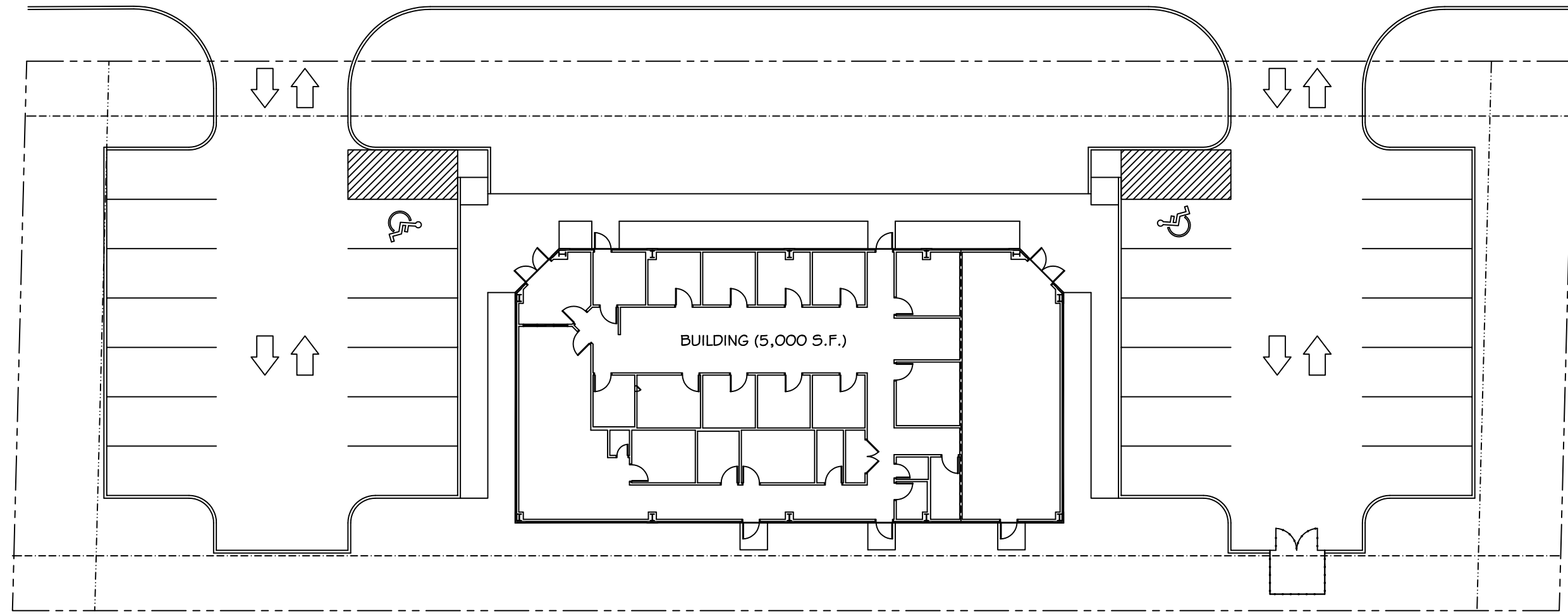
WEBSITE:
WWW.DAMMONENGINEERING.COM

EMAIL:
DAMMONENG@BELLSOUTH.NET

- ARCHITECTURE
- ENGINEERING
- STUDIES
- PLANNING
- INVESTIGATION
- EXPERT WITNESS

HERNANDEZ
MEDICAL
CENTER
HAMMOND,
LOUISIANA

SITE PLAN



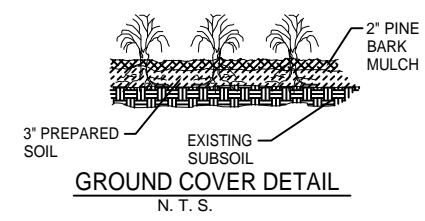
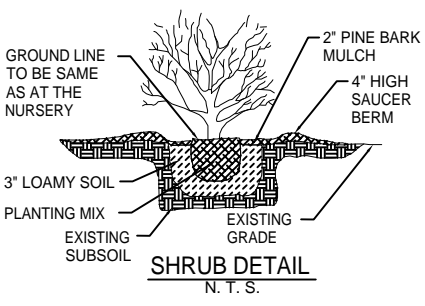
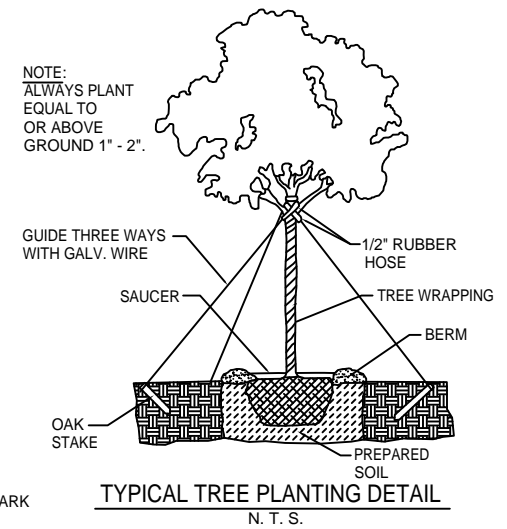
SITE PLAN
SCALE: 1"=10'



ZONED C-4

SITE LIGHTING
EXTERIOR LIGHTING SHALL BE SHADED OR INWARDLY DIRECTED IN SUCH A MANNER SO THAT NO DIRECT LIGHTING OR GLARE BE CAST BEYOND THE PROPERTY LINE. THE INTENSITY OF SUCH LIGHTING SHALL NOT EXCEED ONE FOOT CANDLE AS MEASURED AT THE ABUTTING PROPERTY LINE. (N/A FOR THIS PARTICULAR JOB)

- SITE LEGEND**
- PROPERTY LINE
 - - - UTILITY / EASEMENT LINE
 - / - TRIANGULAR SITE LINE
 - . - . BUILDING SETBACK MIN.
 - - - LANDSCAPING/BUFFER ZONE LIMITS
 - - - OPAQUE BUFFER FENCE
 - BUILDING OUTLINE
 - ♿ HANDICAP PARKING
 - ♿ HANDICAP PARKING SIGN
 - TRASH RECEPTACLE



PARKING REQUIREMENTS-

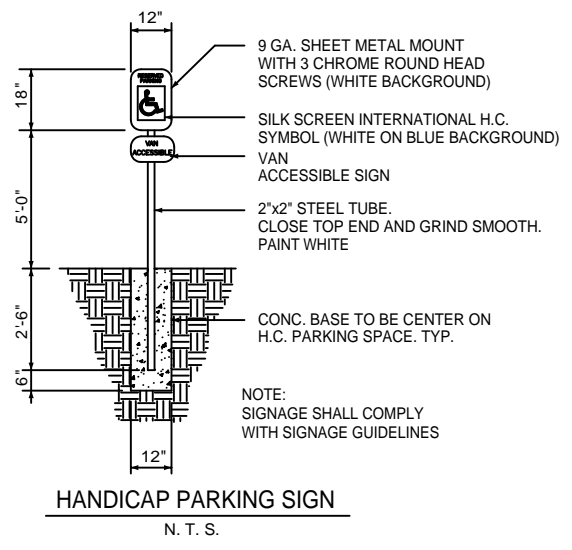
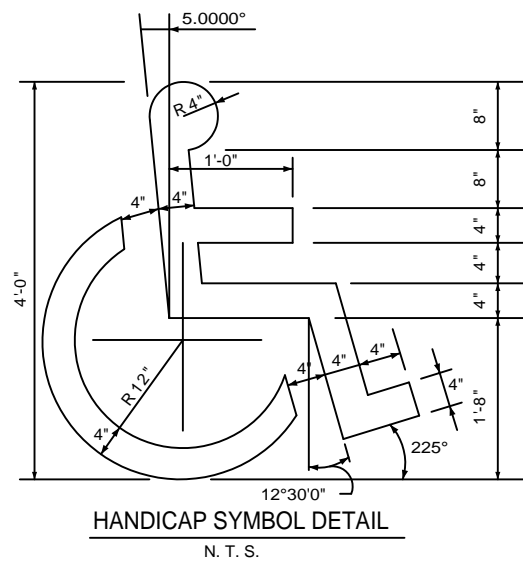
PARKING REQUIREMENTS-	PROFESSIONAL OFFICE SPACE OCCUPANCY
	PROVIDE ONE SPACE FOR EVERY 200 S.F.
	5,000 S.F. OFFICE SPACE / 200 = 25 SPACES
PARKING SPACES REQUIRED =	25 (INCLUDING 2 HANDICAP PARKING SPACES)
PARKING SPACES PROVIDED =	28 (INCLUDING 2 HANDICAP PARKING SPACES)

LANDSCAPE REQUIREMENTS:

PERIMETER PLANTING AREA - A PERIMETER PLANTING AREA AT LEAST TEN (10) FEET IN WIDTH MUST BE PROVIDED OFF THE PUBLIC RIGHT-OF-WAY BETWEEN THE RIGHT-OF-WAY AND PARKING AREA OR STRUCTURES. PLANTING MATERIALS SHOULD ACHIEVE A BALANCE OF LOW-LYING HORIZONTAL SHRUBBERY AND VERTICAL TREES. TREES SHALL BE PLACED NO MORE THAN 20-25 FEET ON CENTER WITH A COMPLIMENT OF NO LESS THAN 10 SHRUBS PER TREE.

PARKING LOT PLANTING - PARKING LOT INTERIORS SHOULD BE DESIGNED TO PROVIDE AT LEAST ONE (1) TREE FOR EVERY TWELVE (12) PARKING SPACES. EACH TREE SHOULD BE LOCATED IN A LANDSCAPED ISLAND OF AT LEAST 200 S.F. TREES MUST BE DISTRIBUTED UNIFORMLY SO AS TO PROVIDE A CANOPY EFFECT.

PEDESTRIAN ACCESS PLANTING - LANDSCAPED AREAS MUST BE PROVIDED BETWEEN THE BUILDING FACES HAVING ACCESS AND THE PARKING LOT. FOUR (4) S.F. OF LANDSCAPED AREA SHOULD BE PROVIDED FOR EVERY LINEAR FOOT OF BUILDING FACE. NO PLANTING AREA SHOULD BE LESS THAN FIVE (5) FEET WIDE AND PLANTING MATERIALS SHOULD ACHIEVE A BALANCE BETWEEN LOW-LYING SHRUBBERY AND VERTICAL TREES.



REV:

SCALE: AS NOTED

JOB#: 2042

DATE: 09-11-09

SHEET

C-2

OF