

PANEL: LP-1
 LOCATION: PATTERSON DENTAL OFFICE WAREHOUSE WALL
 FEEDER SOURCE: ENTERGY

VOLTAGE: 208/120V, 225A 3Ø, 4W MLO, 54 CRT PANEL BD
 ENCLOSURE: SURFACE MOUNTED W/EQUIPMENT GND BAR
 BOLTON BRK 22000 AIC

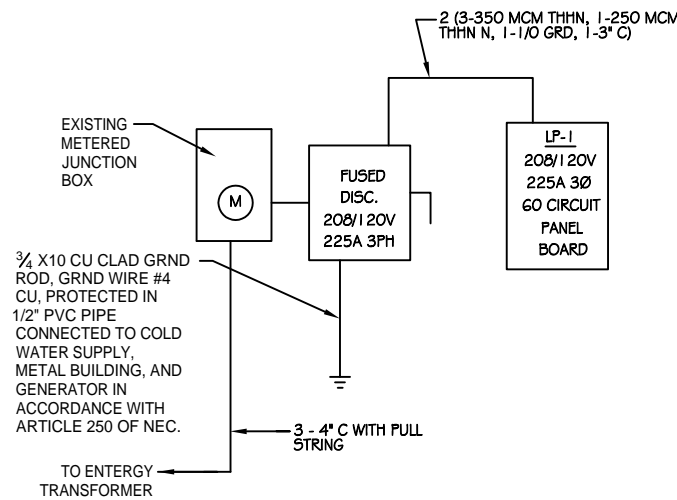
CKT. NO.	THHN WIRE SIZE	LOAD DESCRIPTION	BREAKER		LOAD (VA)	LOAD (VA)	BREAKER		LOAD DESCRIPTION	THHN WIRE SIZE	CKT. NO.	
			AMP	POLE			POLE	AMP				
1	#12	RECEPTACLES FOR MEDICAL AND DENTAL WAREHOUSE	20	1	960	1500	1	20	JUNCTION BOX FOR POWER POLE IN COPY/FAX/WORK AREA	#12	2	
3	#12	JUNCTION BOX FOR POWER POLE IN COPY/FAX/WORK AREA	20	1	1500	800	1	20	RECEPTACLES FOR WORK AREAS, CORRIDORS, & WAITING	#12	4	
5	#10	NEW WATER HEATER 30 GAL.	40	2	3400	160	1	20	COPY/FAX AREA ISOLATED RECEPTACLE	#12	6	
7					3400	160	1	20	DISHWASHER RECEPTACLE	#12	8	
9	#12	NEW BREAK ROOM RECEPTACLES	20	1	800	160	1	20	REFRIGERATOR RECEPTACLE	#12	10	
11	#12	VENDING MACHINE RECEPTACLE	20	1	160	960	1	20	OPS AND BRANCH MANAGERS OFFICES RECEPTACLES	#12	12	
13	#12	WAITING ROOM 110V ISOLATED RECEPTACLE	20	1	160	160	1	20	WAITING ROOM 110V ISOLATED RECEPTACLE	#12	14	
15	#12	NEW CONFERENCE ROOM JUNCTION BOX	20	1	1500	160	1	20	NEW CONFERENCE ROOM CEILING RECEPTACLE	#12	16	
17	#12	NEW CONFERENCE ROOM AND CORRIDOR RECEPTACLES	20	1	1120	1120	1	20	NEW CONFERENCE ROOM RECEPTACLES	#12	18	
19	#12	REPAIR ROOM 220V ISOLATED RECEPTACLE	20	1	160	160	1	20	REPAIR ROOM 110V ISOLATED RECEPTACLE	#12	20	
21	#12	REPAIR ROOM 110V ISOLATED RECEPTACLE	20	1	160	640	1	20	REPAIR ROOM RECEPTACLES	#12	22	
23	#12	PHONE ROOM ISOLATED RECEPTACLE	20	1	160	160	1	20	PHONE ROOM ISOLATED RECEPTACLE	#12	24	
25	#12	NEW REPAIR ROOM 110V ISOLATED RECEPTACLE	20	1	160	920	2	25	PANORAMIC X-RAY MACHINE	#12	26	
27	#12	NEW REPAIR ROOM 110V ISOLATED RECEPTACLE	20	1	160	920				#12	28	
29	#12	MTG. RM. CORRIDOR, STERILIZER & PAN-X COMPUTER RECEPTACLES	20	1	960	1500	1	20	JUNCTION BOX FOR POWER POLE IN EQUIPMENT SPEC. AREA	#12	30	
31	#12	MEDICAL DISPLAY AREA CEILING RECEPTACLE	20	1	160	1800	1	20	MEDICAL DISPLAY AREA FLOOR JUNCTION BOXES	#12	32	
33	#12	MEDICAL DISPLAY AREA FLOOR JUNCTION BOXES	20	1	1800	1120	1	20	NEW BREAK ROOM RECEPTACLES	#12	34	
35	#12	DISHWASHER RECEPTACLE	20	1	160	160	1	20	REFRIGERATOR RECEPTACLE	#12	36	
37	#12	VENDING MACHINE RECEPTACLE	20	1	160	160	1	20	NEW CEREC STG. ROOM ISOLATED 4-PLEX RECEPTACLE	#12	38	
39	#12	NEW CEREC STG. ROOM ISOLATED 4-PLEX RECEPTACLE	20	1	160	160	1	20	NEW CEREC STG. ROOM ISOLATED 4-PLEX RECEPTACLE	#12	40	
41	#12	EXISTING BRANCH MANAGERS OFFICE RECEPTACLES	20	1	480	1500	1	20	EXISTING CONFERENCE ROOM JUNCTION BOX	#12	42	
43	#12	EXISTING CONFERENCE ROOM CEILING RECEPTACLE	20	1	160	800	1	20	EXISTING CONFERENCE ROOM WALL RECEPTACLES	#12	44	
45	#12	MEDICAL WAREHOUSE LIGHTS	20	1	1944	700	1	20	COPY/FAX/WORK AREA AND CORRIDOR LIGHTS	#12	46	
47	#12	BREAK RM. OPS MANAGER, BRANCH MANAGER, & CORRIDOR LIGHTS	20	1	700	500	1	20	WAITING ROOM AND CORRIDOR LIGHTS	#12	48	
49	#12	JUNCTION BOX FOR MEDICAL DISPLAY AREA LIGHTS	20	1	1500	800	1	20	NEW CONFERENCE ROOM AND CORRIDOR LIGHTS	#12	50	
51	#12	REPAIR ROOM, MENS AND WOMENS RESTROOM LIGHTS	20	1	600	-	1	20	SPARE	#12	52	
53	#12	SPARE	20	1	-	102	1	20	EMERGENCY AND EXIT LIGHTS	#12	54	
55	#12	SPARE	20	1	-	-	1	20	SPARE	#12	56	
57	#12	SPARE	20	1	-	-	1	20	SPARE	#12	58	
59	#12	SPARE	20	1	-	-	1	20	SPARE	#12	60	
					TOTAL CONNECTED LOAD (VA)=39,866							
					AØ=13,280 BØ=13,284 CØ=13,302							
					GROUND BUS GROUND WIRE (G)							

GENERAL NOTES:

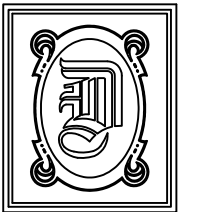
- CONTRACTOR TO CONFIRM/COORDINATE POWER & TEL/DATA OUTLET LOCATION/REQUIREMENT WITH TENANT AND TENANT'S FURNITURE VENDOR.
- CONTRACTOR TO CONFIRM/COORDINATE POWER & TEL/DATA OUTLET LOCATION/QUANTITY REQUIREMENTS FOR WAREHOUSE WITH TENANT.
- ALL CONTRACTORS/SUB-CONTRACTORS TO REVIEW THE OUTLINE SPECIFICATIONS FOR WORK RELATED TO THEIR CONTRACT/TRADE.
- FURNITURE FOR REFERENCE ONLY. FURNITURE INCLUDING SYSTEMS FURNITURE TO BE PROVIDED & INSTALLED BY KATHY BLAKE, (952) 278-9237.
- DISPLAY EQUIPMENT FOR REFERENCE ONLY. EQUIPMENT SUPPLIED & INSTALLED BY TENANT.
- PROVIDE POWER CONNECTION FOR DISHWASHER IN BREAK ROOM
- MAKE SURE ADEQUATE HEATING AND COOLING ARE IN THE CONFERENCE/TRAINING ROOM FOR DENSITY OF UP TO 50 PERSONS AT A TIME-PROBABLY NEED TO MAKE SURE AT MINIMUM ONE VAV IS LOCATED IN THIS ROOM WITH A RETURN AND MAY NEED DEDICATED HVAC UNIT FOR THIS AREA DEPENDING ON SIZE/ZONES.

ELECTRICAL NOTES

- ALL WORK SHALL CONFORM TO THE LATEST EDITION OF THE NATIONAL ELECTRICAL CODE, THE GOVERNING ELECTRICAL CODE AND ALL OTHER INSPECTION DEPARTMENTS HAVING JURISDICTION. OBTAIN CERTIFICATES OR APPROVAL WHERE REQUIRED.
- ALL MATERIALS FURNISHED SHALL BE NEW AND SHALL BE U.L. LISTED.
- THE DRAWINGS INDICATE SIZE AND GENERAL LOCATION OF WORK. SCALE DIMENSIONS SHALL NOT BE USED. THE EXACT LOCATION AND LOCATION OF ALL LIGHTING FIXTURES, RECEPTACLES AND TELEPHONE OUTLETS, ETC. SHALL BE DETERMINED BY ACTUAL CONDITIONS IN THE FIELD.
- PRIOR TO BIDDING, CONTRACTOR SHALL VISIT THE JOB SITE AND FAMILIARIZE THEMSELVES WITH THE EXISTING CONDITIONS.
- ELECTRICAL CONTRACTOR SHALL COORDINATE HIS WORK WITH OTHER TRADES AND WITH OTHER CONTRACTORS WHOSE WORK MAY AFFECT THIS INSTALLATION.
- ELECTRICAL CONTRACTOR SHALL COORDINATE INCOMING ELECTRICAL SERVICE WITH UTILITY COMPANY AND INCLUDE IN HIS BID ALL CHARGES AND FEES INCURRED IN MODIFICATIONS.
- WHERE MORE THAN ONE SWITCH OCCURS IN THE SAME LOCATION, THEY SHALL BE INSTALLED IN A GANG TYPE BOX UNDER ONE COVER PLATE.
- ELECTRICAL CONTRACTOR SHALL COORDINATE THE TELEPHONE INSTALLATION WITH THE TELEPHONE COMPANY AND THE GENERAL CONTRACTOR.
- ELECTRICAL CONTRACTOR, BEFORE INSTALLING ANY OF THE WORK, SHALL SEE THAT IT DOES NOT INTERFERE WITH CLEARANCES REQUIRED FOR FINISHED COLUMNS, HUNG CEILINGS, PLASTER, PARTITIONS, WALLS, ETC. AS SHOWN IN THE ARCHITECTURAL DRAWINGS AND DETAILS. IF ANY WORK IS INSTALLED AND IT LATER DEVELOPS THAT SUCH DETAILS OR DESIGN CANNOT BE FOLLOWED, THE CONTRACTOR, AT HIS OWN EXPENSE, SHALL MAKE SUCH CHANGES IN THE WORK AS DIRECTED BY THE ARCHITECT. AS WELL AS TO PERMIT THE INSTALLATION OF THE ARCHITECTURAL WORK AS SHOWN ON THE PLANS AND DETAILS.
- PERFORM TEST REQUIRED BY THE OWNER OR THE ENGINEER IN CONNECTION WITH THE OPERATION OF THE ELECTRICAL SYSTEM IN THE BUILDING.
- ALL TESTS SHALL BE MADE IN ACCORDANCE WITH THE LATEST STANDARD OF THE IEEE AND THE NATIONAL ELECTRICAL CODE.
- MINIMUM CONDUCTOR SIZE SHALL BE #12, 600V INSULATION. MINIMUM SIZE CONDUIT SHALL BE 3/4" EMT FOR INTERIOR USE, AND 3/4" RIGID ALUMINUM OR PVC SCHEDULE 80 FOR EXTERIOR USE. USE TYPE NMC CABLE COPPER, FOR LIGHTS AND RECEPTACLE CIRCUITS. EXTERIOR FITTINGS SHALL BE CAST BOXES AND COVERS. INTERIOR FITTINGS SHALL BE CAST WHERE EXPOSED ON WALLS. STAMPED BOXES MAY BE USED ABOVE CEILINGS IN AIR CONDITIONED SPACES. WHERE LAY IN FIXTURES ARE IN USE, USE 1 1/2" ALLOWED FOR 6" WIDTH.
- CONTRACTOR SHALL INSTALL WIRING AND OTHER CIRCUIT COMPONENTS TO MATCH EQUIPMENT ACTUALLY INSTALLED.
- INSTALL GROUND FAULT RECEPTACLES AT RECEPTACLE LOCATIONS WITHIN 5' OF SINKS OR LAVATORIES, AND AT EXTERIOR LOCATIONS. EXTERIOR RECEPTACLES SHALL ALSO BE WATERPROOF.
- BONDING AND GROUNDING SHALL BE IN ACCORDANCE WITH NFPA 70:230-63, NFPA 250-23, 250-71 & 250-72.
- GROUND NEUTRAL IN ACCORDANCE WITH NFPA 70:250-23b.
- FUSES SHALL BE ITT CLASS K5, 250 VOLT, 200,000 AMP INTERRUPTING CAP.
- PROVIDE SERVICES OF A FIRE/SMOKE DETECTION AND ALARM COMPANY TO DESIGN AND INSTALL ALARM SYSTEM TO MEET REQUIREMENTS OF THE STATE FIRE MARSHALL.
- EXTERIOR LIGHTING SHALL BE SHADED OR INWARDLY DIRECTED IN SUCH A MANNER SO THAT NO DIRECT LIGHTING OR GLARE IS CAST BEYOND THE PROPERTY LINE. THE INTENSITY OF SUCH LIGHTING SHALL NOT EXCEED ONE FOOT CANDLE AS MEASURED AT THE ABUTTING PROPERTY LINE.
- ALL ELECTRICAL, MECHANICAL AND PLUMBING PENETRATING FIRE PARTITIONS SHALL BE FIRE CAULKED (PENETRATIONS THROUGH RATED CONSTRUCTION SHALL BE SEALED WITH A MATERIAL CAPABLE OF PREVENTING THE PASSAGE OF FLAMES AND HOT GASES WHEN TESTED IN ACCORDANCE WITH ASTM-E814.)
- THE ELECTRICIAN SHALL INSTALL A GROUND PATH FOR FAULT CURRENT BY INSTALLING A METAL RACEWAY SYSTEM OR A CABLE HAVING A METALLIC ARMOR OR SHEATH ASSEMBLY FOR ALL RECEPTACLES AND FIXED ELECTRIC EQUIPMENT IN ALL PATIENT AREAS.
- THE ELECTRICIAN SHALL CONNECT THE GROUNDING TERMINALS OF ALL RECEPTACLES AND ALL NON-CURRENT-CARRYING CONDUCTIVE SURFACES OF FIXED ELECTRIC EQUIPMENT LIKELY TO BECOME ENERGIZED THAT ARE SUBJECT TO PERSONAL CONTACT, OPERATING AT OVER 100 VOLTS UTILIZING AN INSULATED COPPER CONDUCTOR IN ALL AREAS USED FOR PATIENT CARE.



ONE LINE DIAGRAM
 NTS



DAMMON ENGINEERING, INC.

CHIEF ENGINEER
 EMMETT DAMMON, P.E.

CHIEF ARCHITECT
 ROBERT WILTSE

1095 FLORIDA AVENUE
 SLIDELL, LA. 70458
 OFFICE: 985-649-5832
 FAX: 985-641-5950

WEBSITE:
 WWW.DAMMONENGINEERING.COM

EMAIL:
 DAMMONENG@BELLSOUTH.NET

ARCHITECTURE

ENGINEERING

STUDIES

PLANNING

INVESTIGATION

EXPERT WITNESS

OFFICE & WAREHOUSE EXPANSION & RENOVATION

PATTERSON DENTAL SUPPLY
 107 MALLARD ST.
 SAINT ROSE, LA
 70087

ELECTRICAL SCHEDULES & ONE-LINE DIAGRAM

REV:

SCALE: AS NOTED

JOB#: 2076

DATE: 11-05-10

SHEET 10

E-3

PRELIMINARY (NOT FOR CONSTRUCTION)

OF 11