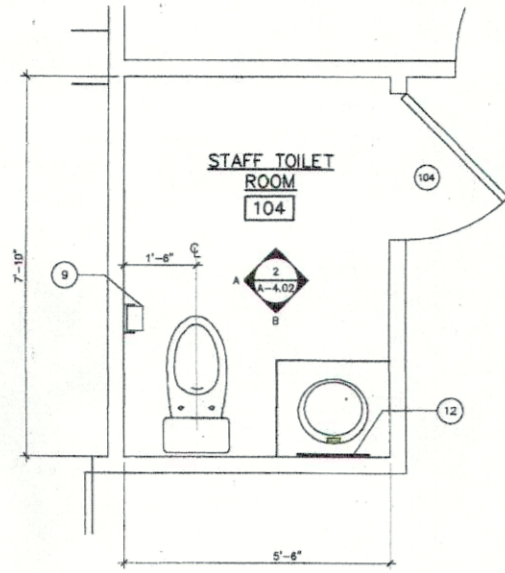
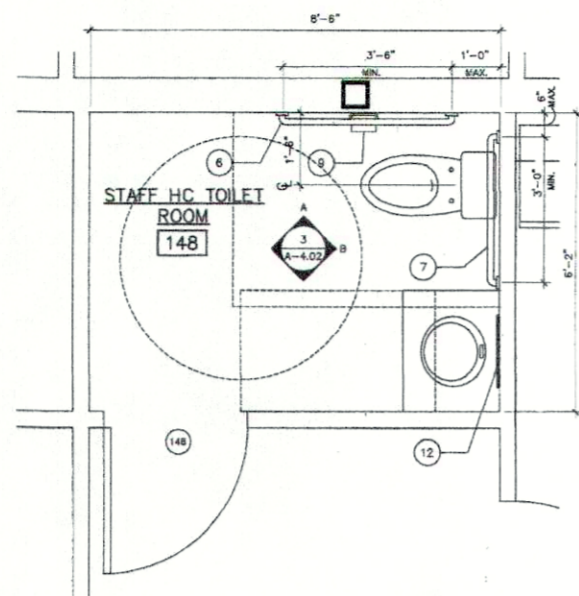


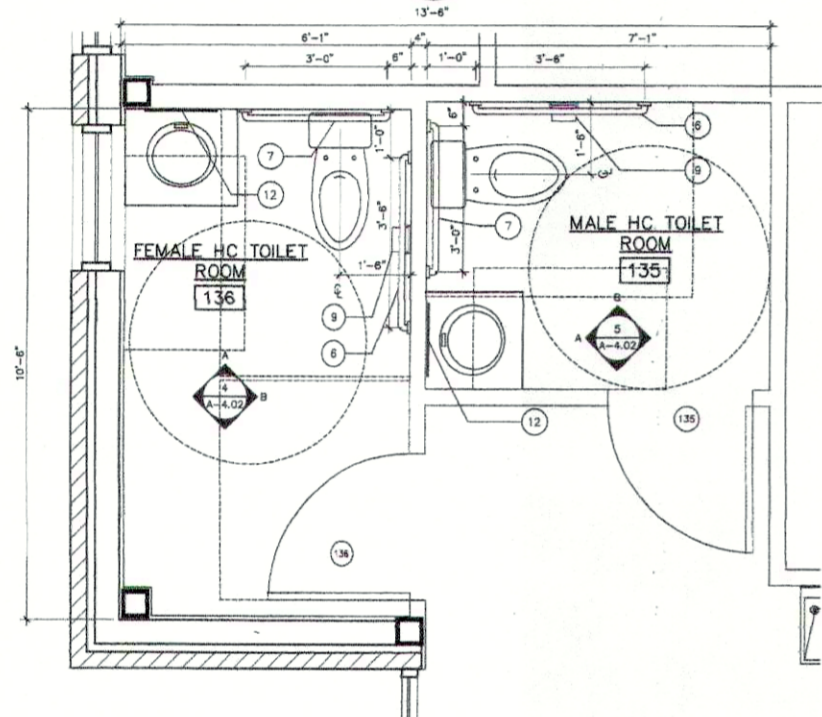
TOILET ROOM 108 1
SCALE: 1/2"=1'-0" A-4.01



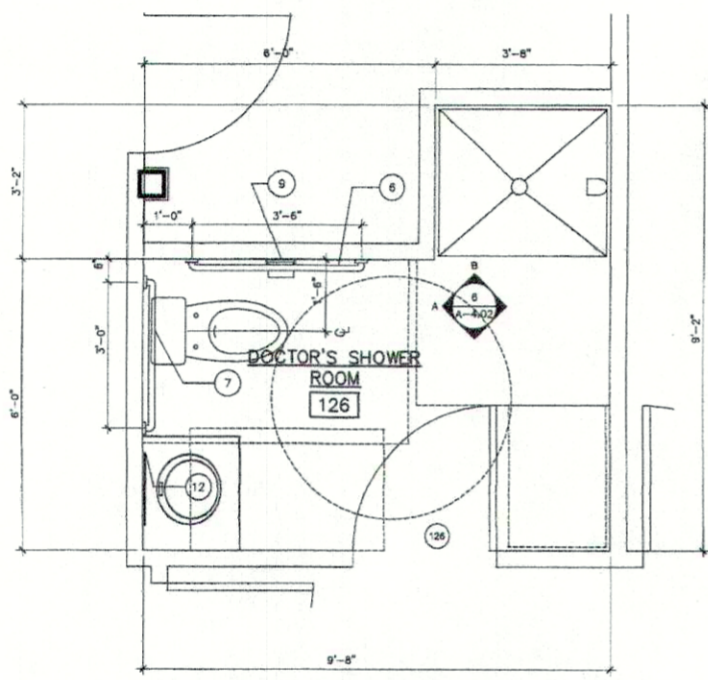
STAFF TOILET ROOM 104 2
SCALE: 1/2"=1'-0" A-4.01



STAFF HC TOILET ROOM 148 3
SCALE: 1/2"=1'-0" A-4.01



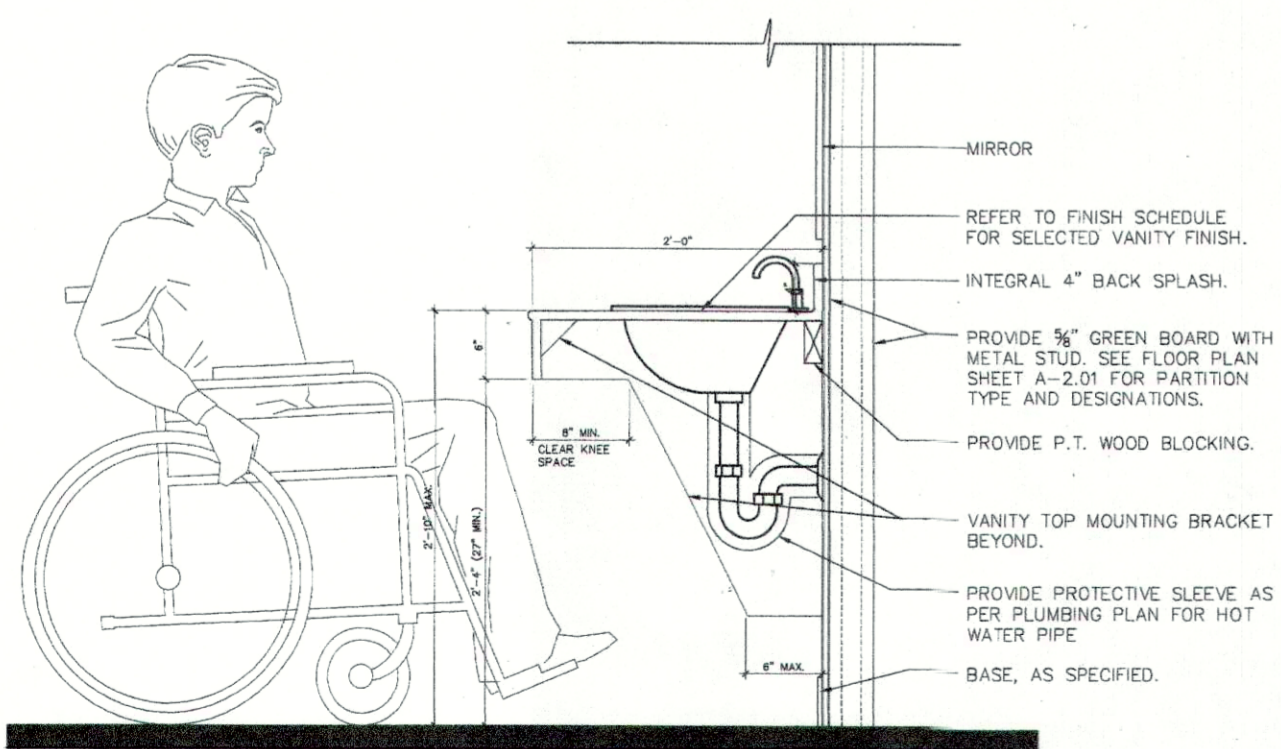
TOILET ROOM 135 AND 136 4
SCALE: 1/2"=1'-0" A-4.01



DOCTOR'S SHOWER ROOM 126 5
SCALE: 1/2"=1'-0" A-4.01

TOILET ACCESSORY

REMARK	FIXTURE NUMBER	FIXTURE DESCRIPTION	BOBRICK NUMBER
	1	LAVATORY MOUNTED SOAP DISPENSER	
	2	SURFACE MOUNTED SOAP DISPENSER	
	3	PAPER TOWEL DISPENSER / WASTE RECEPTACLE	
	4	SANITARY NAPKIN / TAMPON VENDOR	
	5	48" GRAB BAR W/ CONCEALED SNAP FLANGE	
	6	42" GRAB BAR W/ CONCEALED SNAP FLANGE	
	7	36" GRAB BAR W/ CONCEALED SNAP FLANGE	
	8	PARTITION MOUNTED TISSUE DISPENSER	
	9	WALL MOUNTED TOILET TISSUE DISPENSER / SANITARY NAPKIN DISPOSAL (WOMEN'S)	
	10	PARTITION MOUNTED TWO SIDED TOILET TISSUE DISPENSER (MEN'S)	
	11	RECESSED TOILET TISSUE DISPENSER / SANITARY NAPKIN DISPOSAL (WOMEN'S)	
	12	18" X 30" TLT MIRROR (HCP)	
	13	NOT USED	
	14	NOT USED	
	15	COAT HOOK (INSIDE STALL)	
	16	SOAP DISH	
	17	PAPER TOWEL DISPENSER / WASTE RECEPTACLE FOR (HCP)	
	18	MOP, BROOM HOLDERS AND HOOKS	
	19	60" X 20" MIRROR	
	20	PAPER TOWEL DISPENSER / WASTE RECEPTACLE	
	21	WASTE RECEPTACLE	
	22	FULL LENGTH MIRROR	
	23	FOLDING BABY CHANGING STATION	
	24		
	25		
	26		



TYP. H.C. VANITY DETAIL 6
SCALE: 1-1/2"=1'-0" A-4.01

TYPICAL ADA REQUIREMENTS

WATER CLOSET
N.T.S.

ELEVATION
N.T.S.

SHOWER DETAIL
N.T.S.

DRINKING FOUNTAIN
N.T.S.

LAVATORY
N.T.S.

WHEELCHAIR DETAIL
N.T.S.

PROGRESS SET

BID SET

SATNOH, LLC
180 W. RUELLIE
MANDEVILLE, LA 70471

GARCIA BRENNER STROMBERG
A R C H I T E C T S

TULANE / HONTAS MEDICAL CENTER

A-4.01