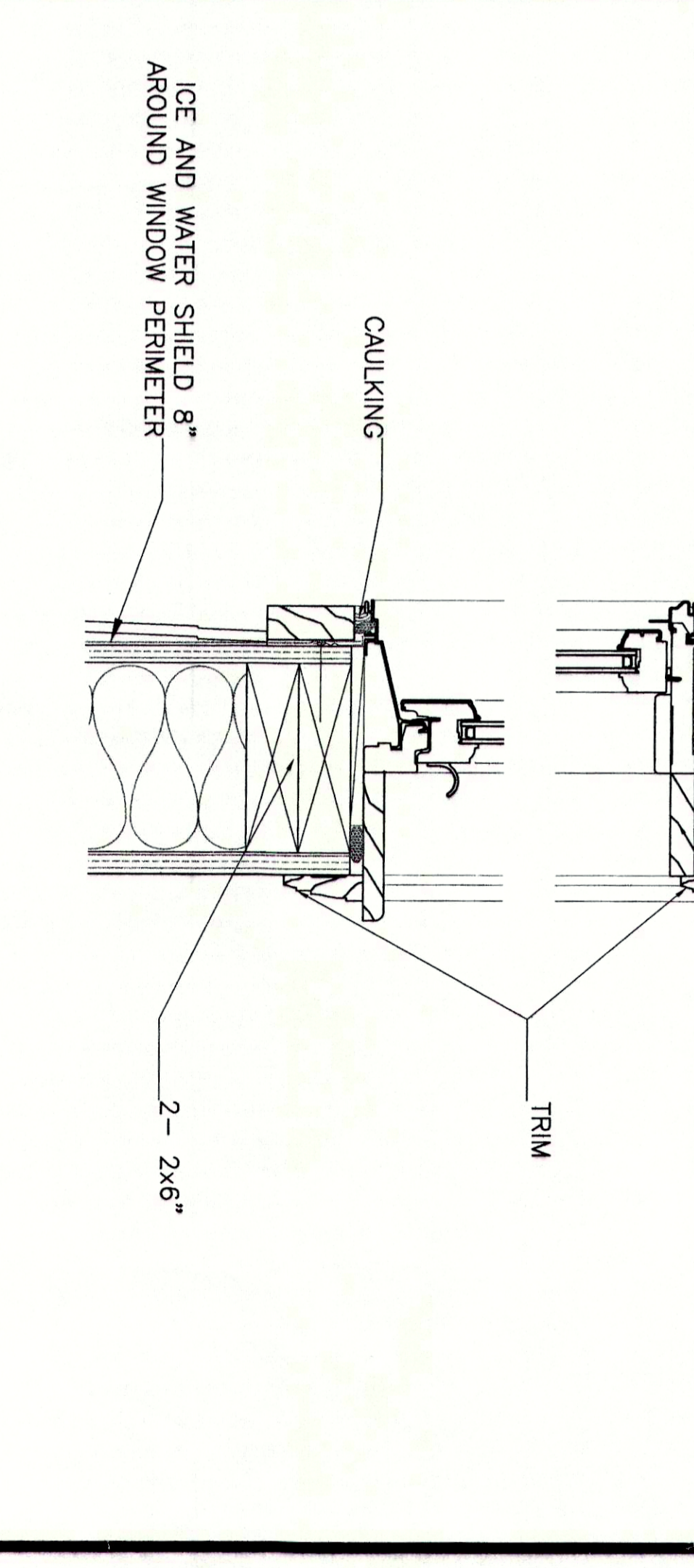
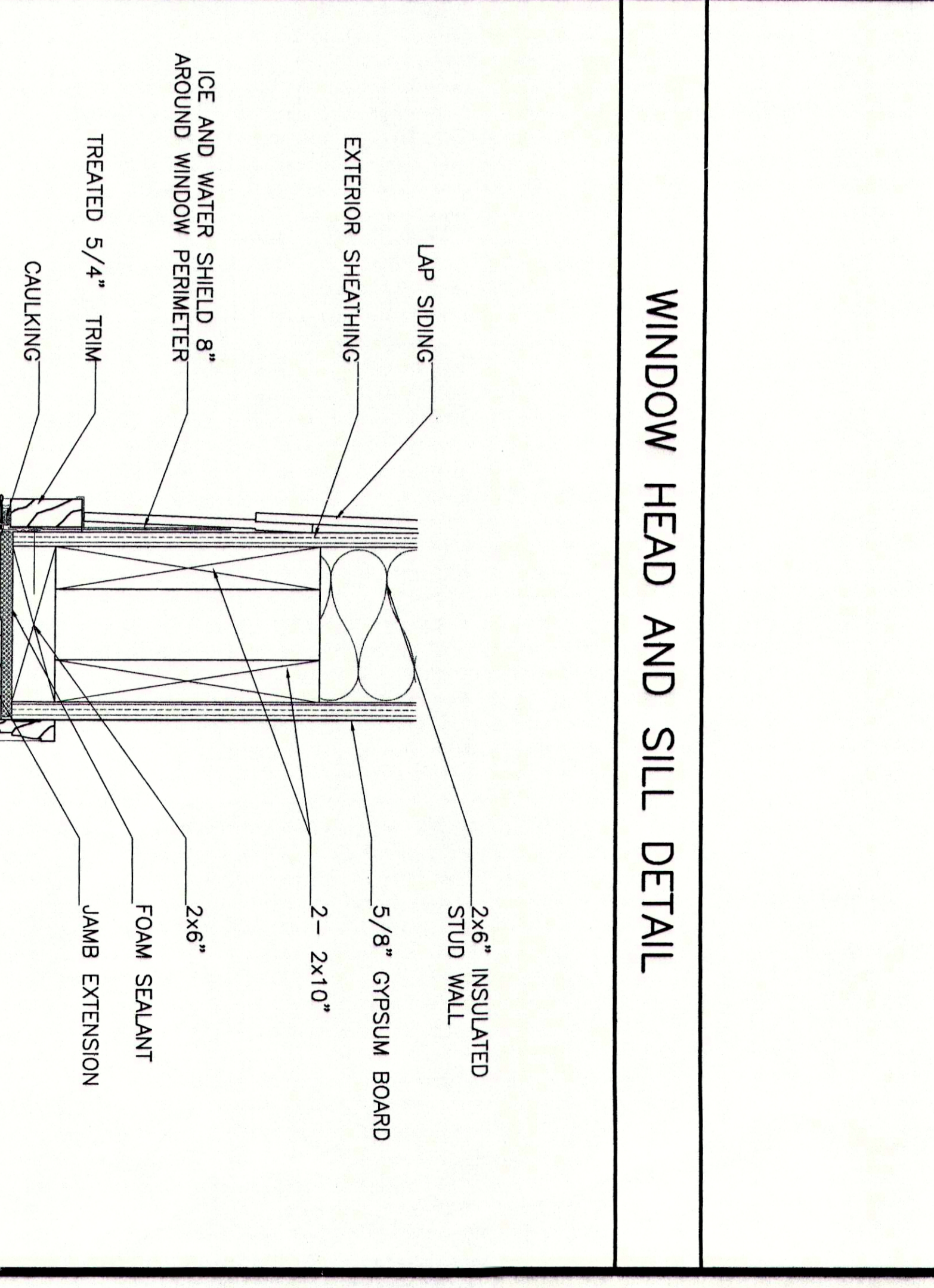
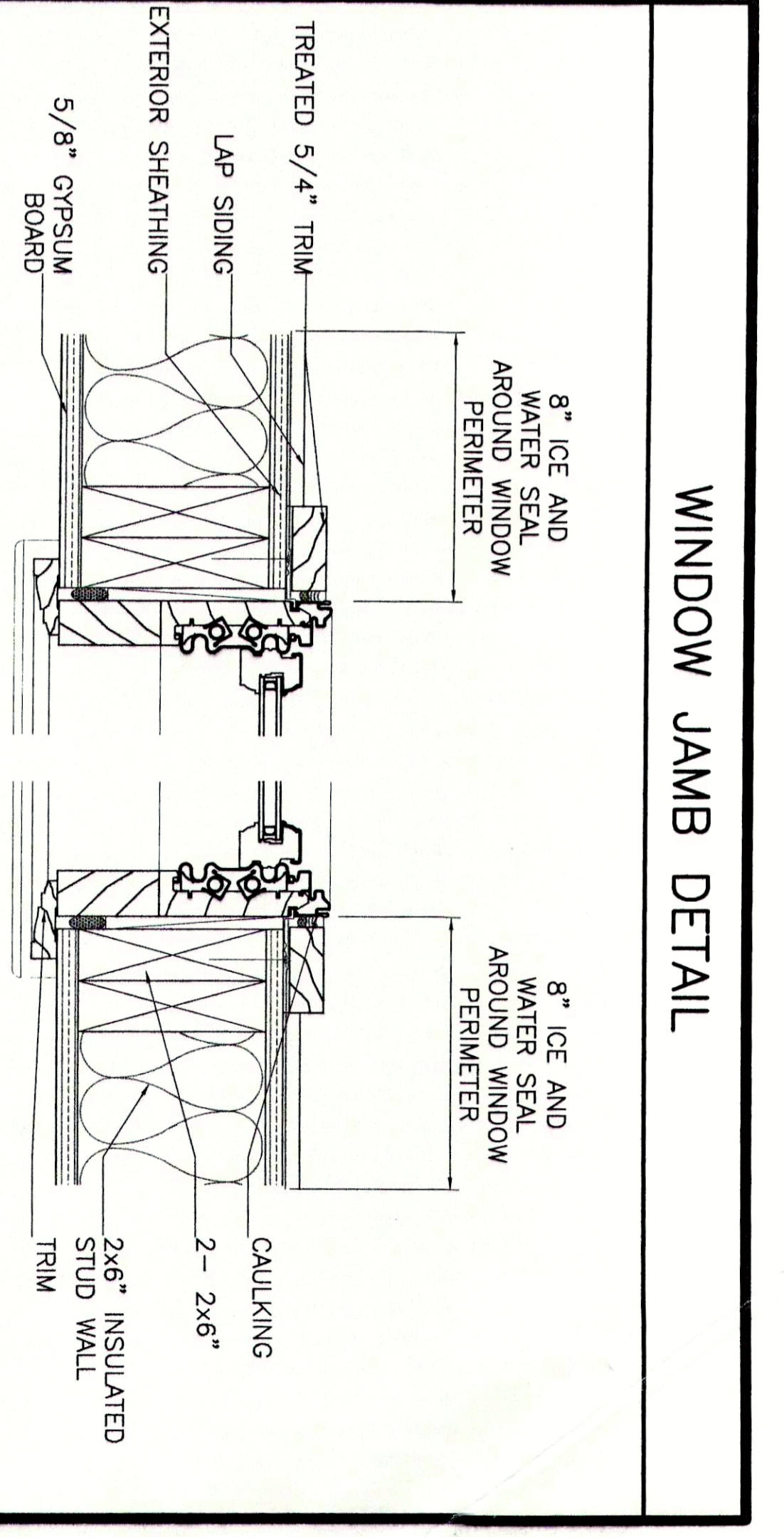


<p>A - JAMB DETAIL</p>	<p>B - JAMB DETAIL</p>	<p>C - JAMB DETAIL</p>
<p>A - HEAD DETAIL</p>	<p>B - HEAD AND TRANSOM DETAIL</p>	<p>C - HEAD AND TRANSOM DETAIL</p>
<p>D, E, F - JAMB DETAIL</p>	<p>G, H, I - JAMB DETAIL</p>	<p>J - JAMB DETAIL</p>
<p>D, E, F - HEAD DETAIL</p>	<p>G, H, I - HEAD DETAIL</p>	<p>J - HEAD DETAIL</p>
<p>PLASTIC LAMINATE FACED WOOD DOOR WITH 16g F SERIES 2\"/> </p>	<p>16g F SERIES 2\"/> </p>	<p>16g F SERIES 2\"/> </p>



SCALE 3" = 1' 0"

DOOR AND WINDOW DETAILS

LACOMBE LAND L.L.C.

THE NORTH INSTITUTE-MEDICAL OFFICE

29301 DIXIE RANCH ROAD, LACOMBE, LA 70445

ARCHITECT'S PROJECT # 9-03

FOURNET & FOURNET A.I.A.

503 CARDINAL DRIVE

P.O. BOX 1256

THIBODAUX, LA 70302

4/04

SHEET

A3.0a