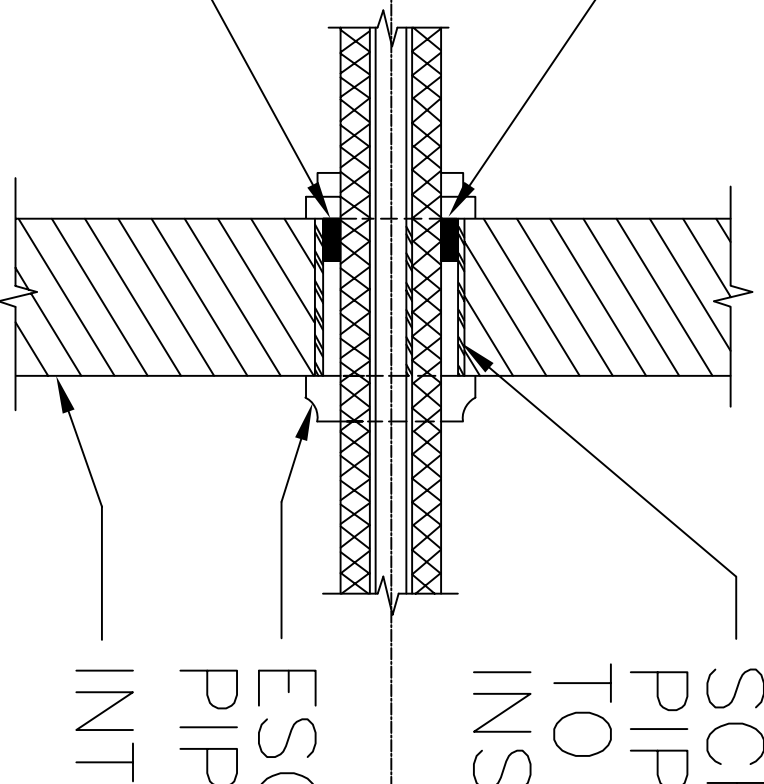


SLEEVE SHALL BE  
FLUSH WITH WALL  
FINISH.

CENTER PIPE AND  
INSULATION IN SLEEVE.  
DO NOT SUPPORT PIPE  
FROM SLEEVE.

SEAL OR CAULK SLEEVE  
THRU FIRE RATED WALL  
SMOKE TIGHT.



SCHEDULE 40 STEEL  
PIPE SLEEVE OF SIZE  
TO PASS PIPE AND  
INSULATION.

ESCUTCHEON PLATE FOR  
PIPING EXPOSED TO VIEW.

INTERIOR WALL

## TYPICAL INTERIOR WALL SLEEVE DETAIL

N.T.S.