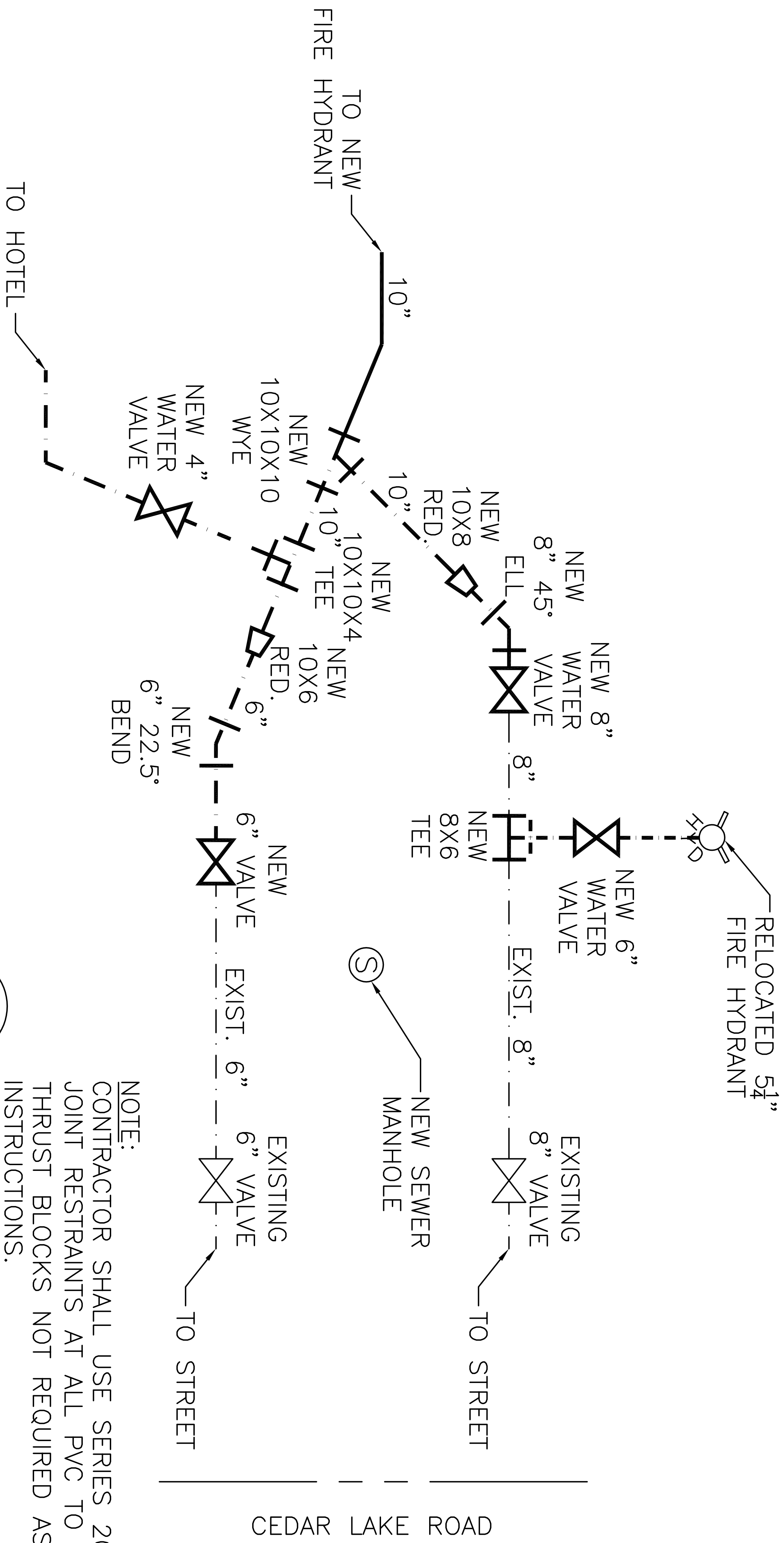
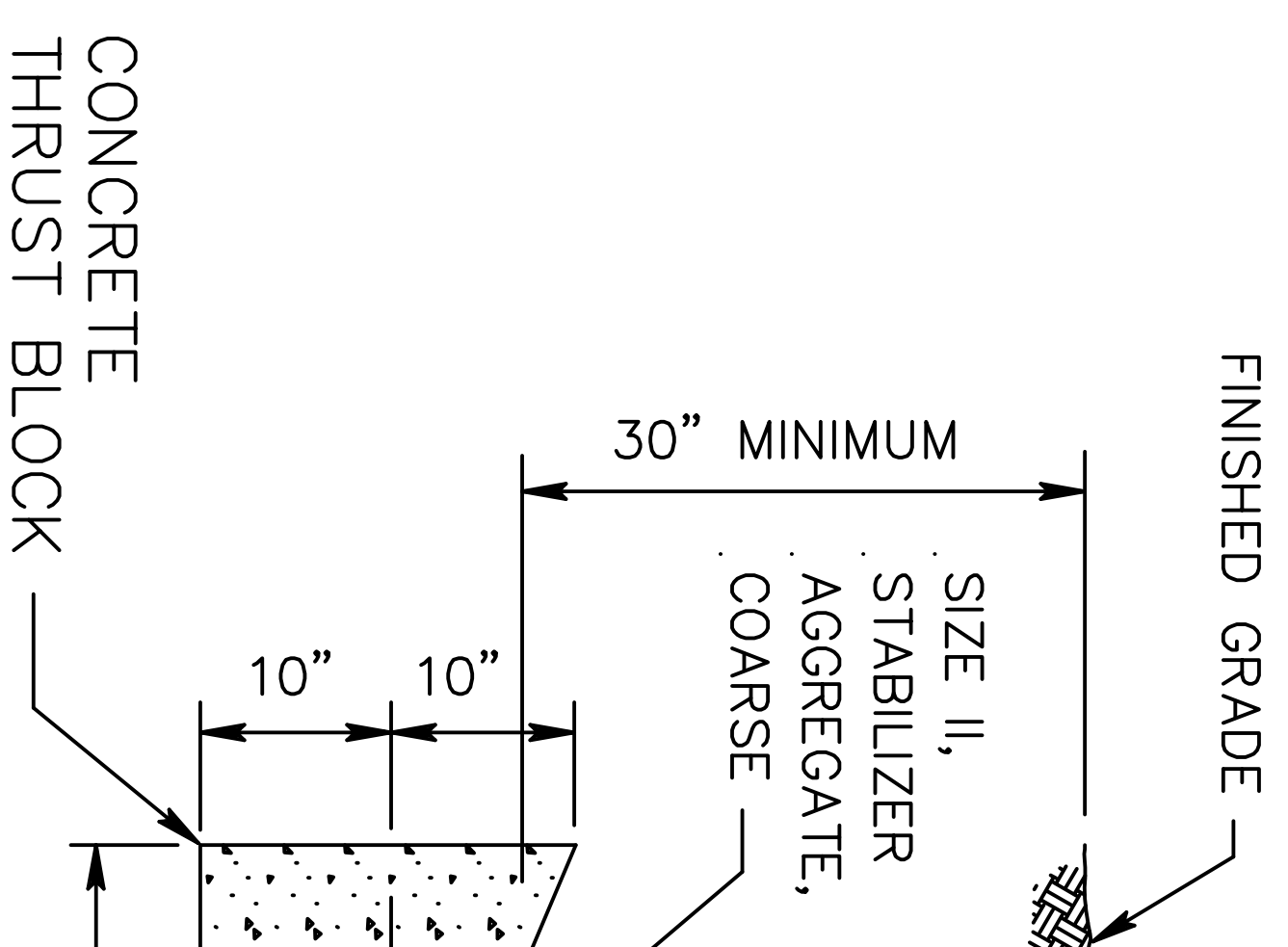


NOTE:
 1. ALL PIPING AND CONDUIT SYSTEMS ARE DIAGRAMMATICALLY DRAWN. CONTRACTOR/ OWNER TO VERIFY EQUIPMENT, TIE-INS AND ELECTRICAL LOCATIONS PRIOR TO START OF CONSTRUCTION.



NOTE:
 CONTRACTOR SHALL USE SERIES 2000PV MECHANICAL JOINT RESTRAINTS AT ALL PVC TO DUCTILE PIPE TRANSITIONS. THRUST BLOCKS NOT REQUIRED AS PER MANUFACTURER'S INSTRUCTIONS.

DETAIL 3
 N.T.S.



UTI
 SCALE