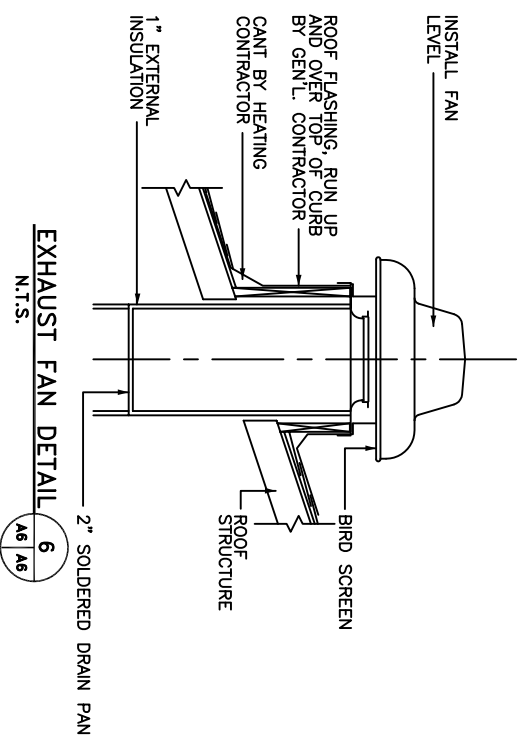
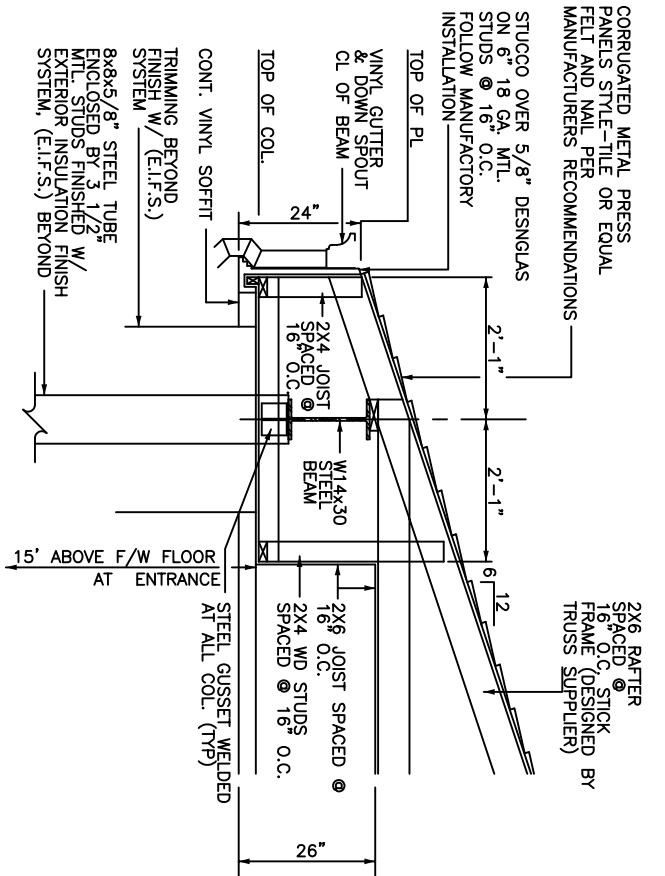


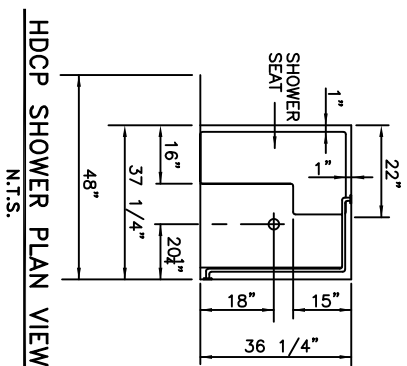
EXHAUST SYSTEM DETAIL
N.T.S.



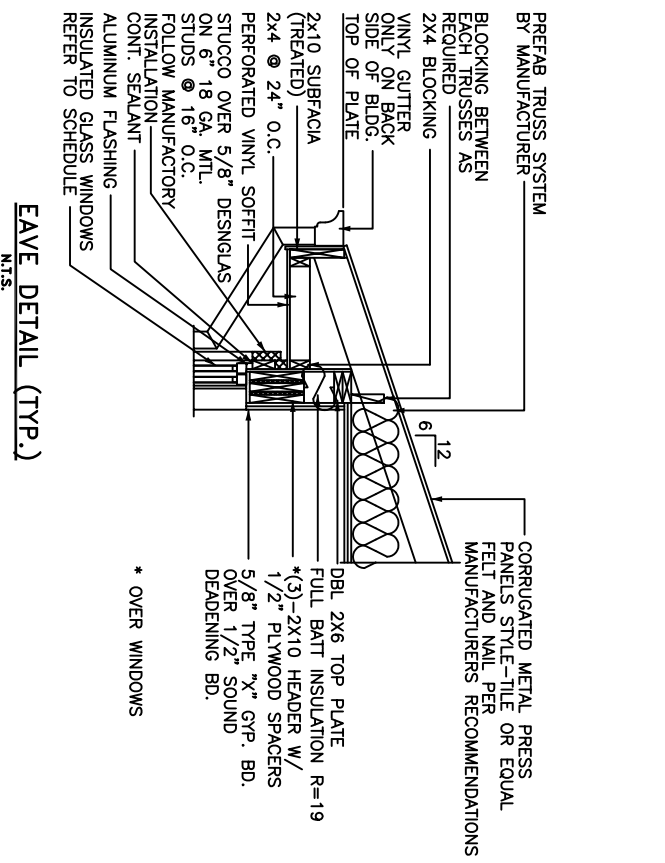
EXHAUST FAN DETAIL
N.T.S.



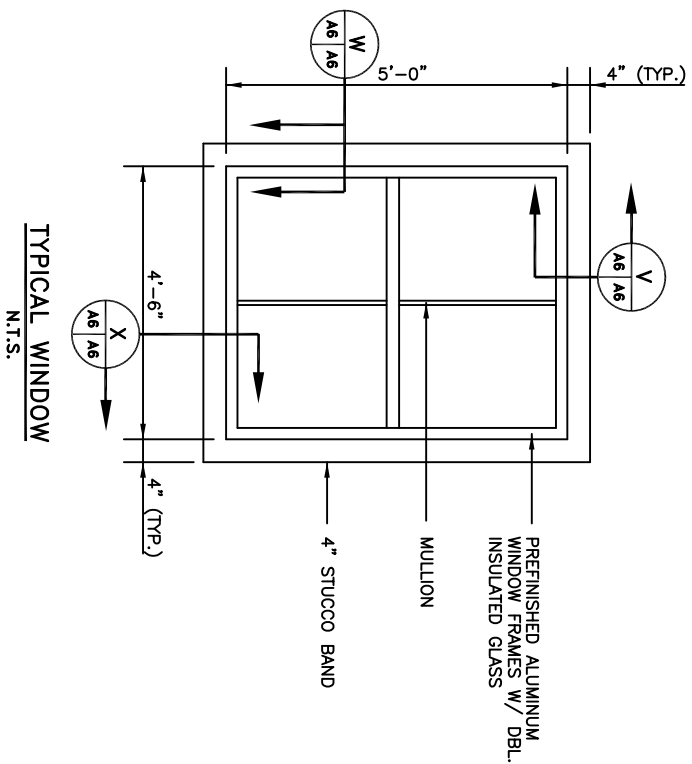
EAVE DETAIL @ PORTE COCHERE
N.T.S.



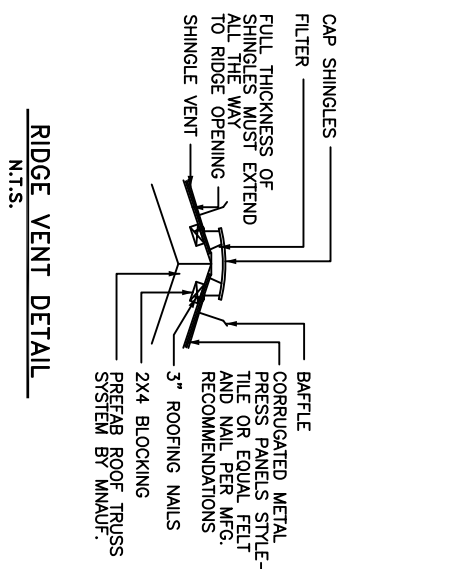
HDCP SHOWER PLAN VIEW
N.T.S.



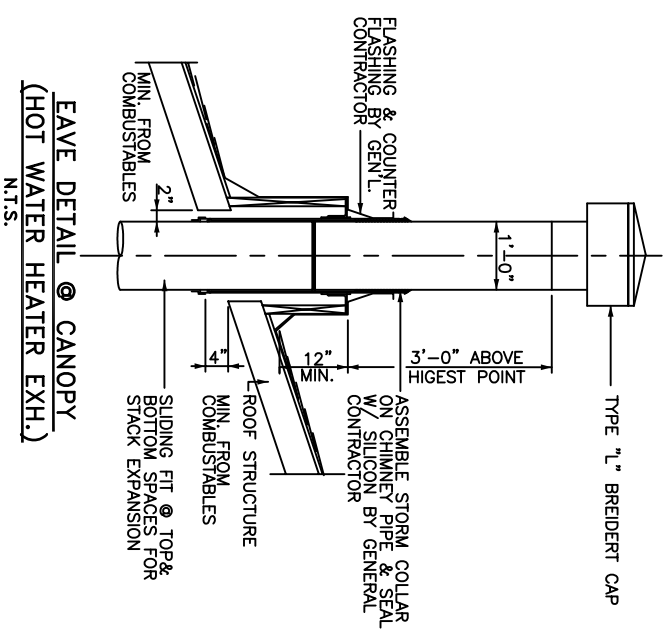
EAVE DETAIL (TYP.)
N.T.S.



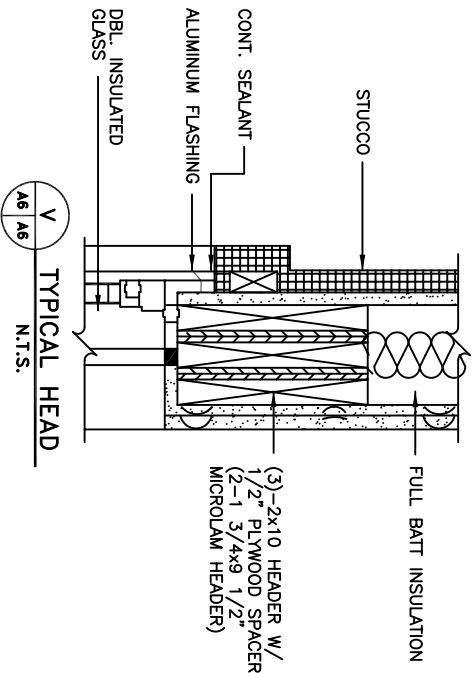
TYPICAL WINDOW
N.T.S.



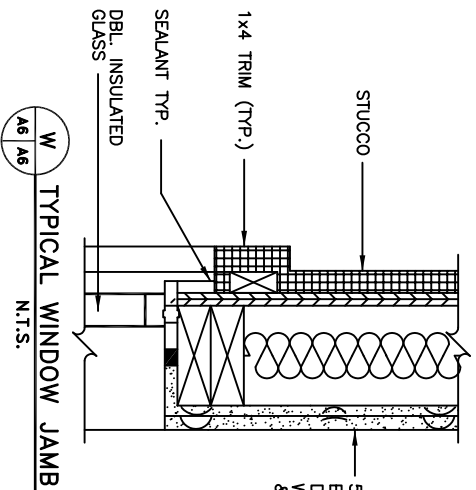
RIDGE VENT DETAIL
N.T.S.



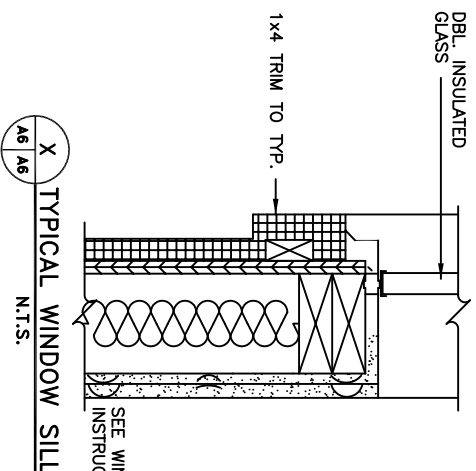
EAVE DETAIL @ CANOPY (HOT WATER HEATER EXH.)
N.T.S.



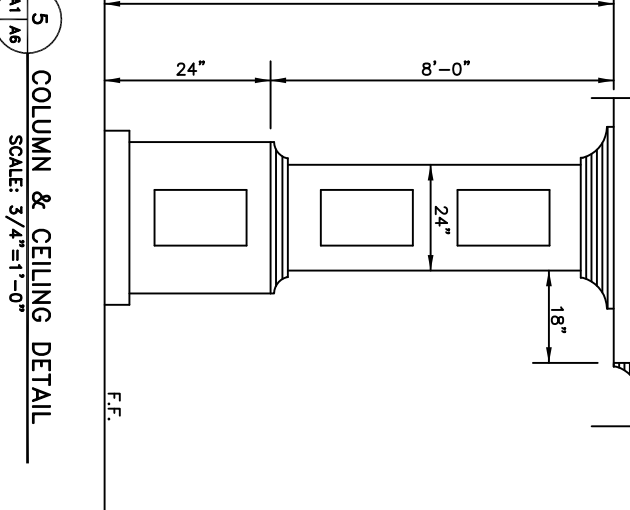
V TYPICAL WINDOW HEAD
N.T.S.



W TYPICAL WINDOW JAMB
N.T.S.



X TYPICAL WINDOW SILL
N.T.S.



5 COLUMN & CEILING DETAIL
SCALE: 3/4"=1'-0"

DETAILS
LA QUINTA INN & SUITES #12
HOLIDAY BOULEVARD
SLIDELL, LOUISIANA

LA QUINTA INN & SUITES #12
DAMMON ENGINEERING, INC.
1095 FLORIDA AVENUE 985-649-5832 SLIDELL, LA. 70458
DAMMONENGINEERING.COM

SCALE: 3/4"=1'
FILE:
JOB NO. 1828
DATE: 2-15-07
SHEET 14
A-6
OF 33