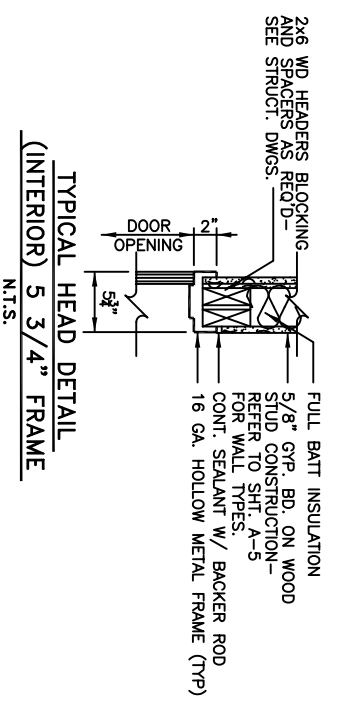
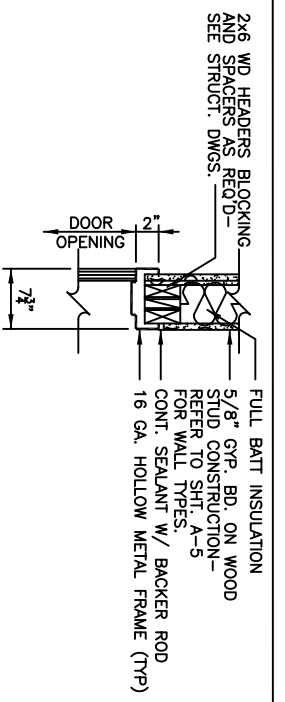


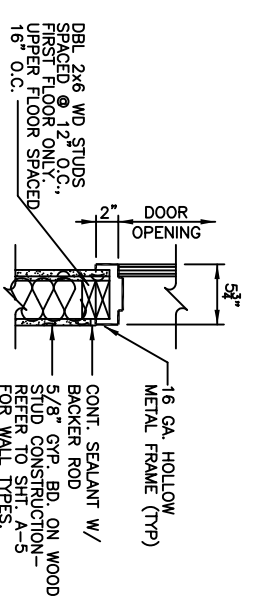
TYPICAL JAMB DETAIL, (EXTERIOR)  
N.T.S.



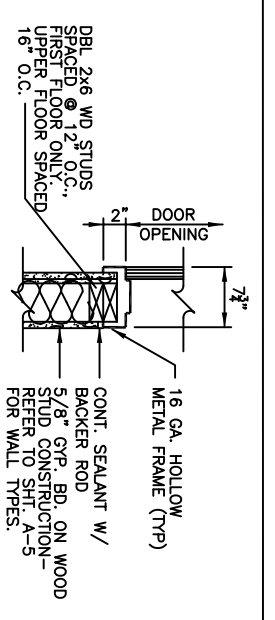
TYPICAL HEAD DETAIL  
(INTERIOR) 5 3/4" FRAME  
N.T.S.



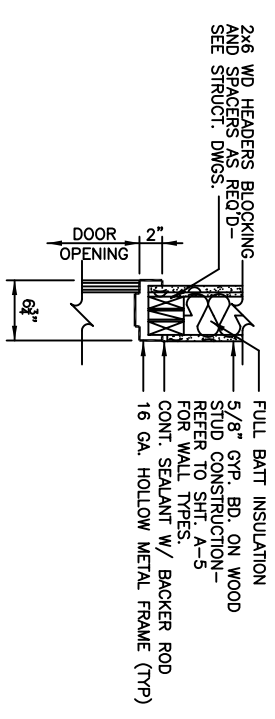
TYPICAL HEAD DETAIL  
(INTERIOR) 7 3/4" FRAME  
N.T.S.



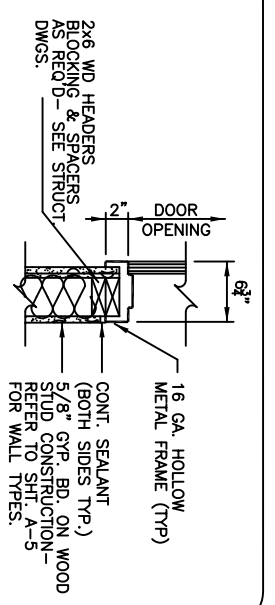
TYPICAL JAMB DETAIL  
(INTERIOR) 5 3/4" FRAME  
N.T.S.



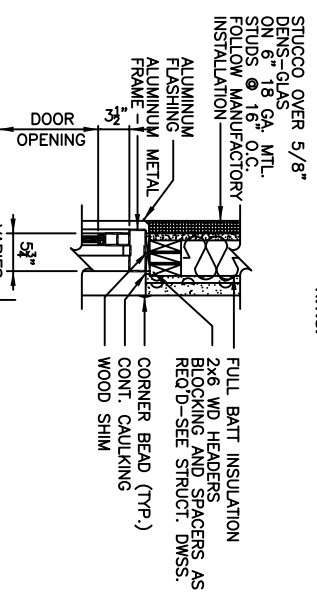
TYPICAL JAMB DETAIL  
(INTERIOR) 7 3/4" FRAME  
N.T.S.



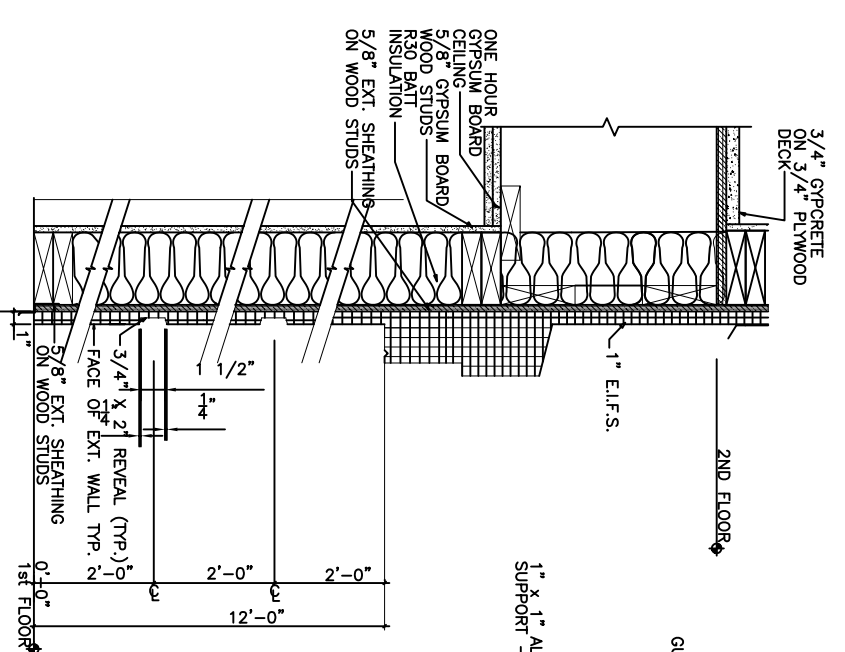
TYPICAL HEAD DETAIL  
(INTERIOR) 6 3/4" FRAME  
N.T.S.



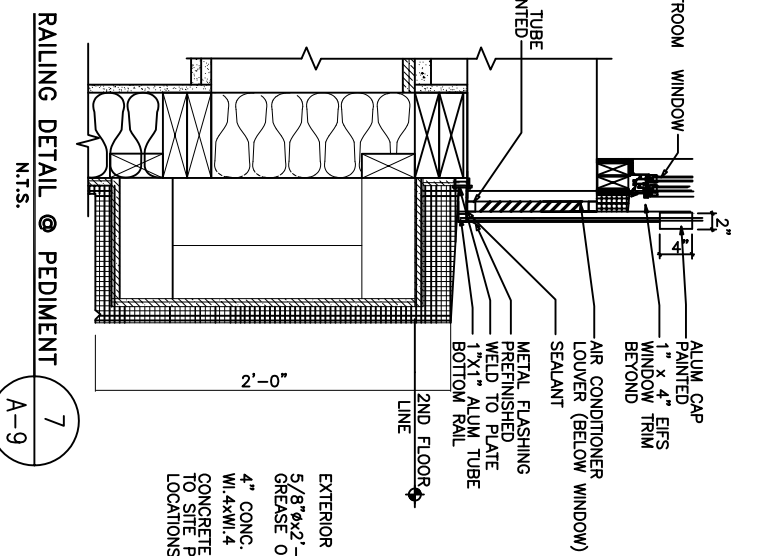
TYPICAL JAMB DETAIL  
(INTERIOR) 6 3/4" FRAME  
N.T.S.



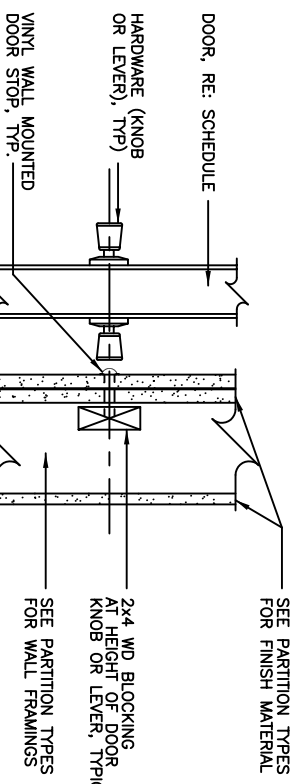
TYPICAL HEAD DETAIL, (EXTERIOR)  
(VARIOUS WIDTHS)  
N.T.S.



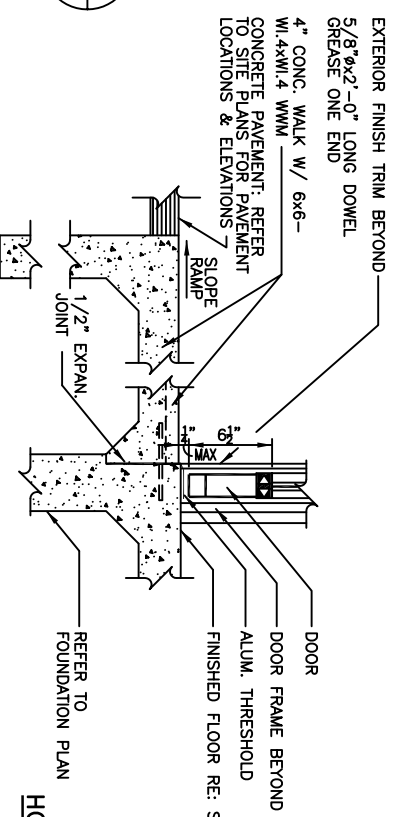
DECORATIVE BANDING @ 1st FLOOR  
N.T.S. 9 A-9



RAILING DETAIL @ PEDIMENT  
N.T.S. 7 A-9

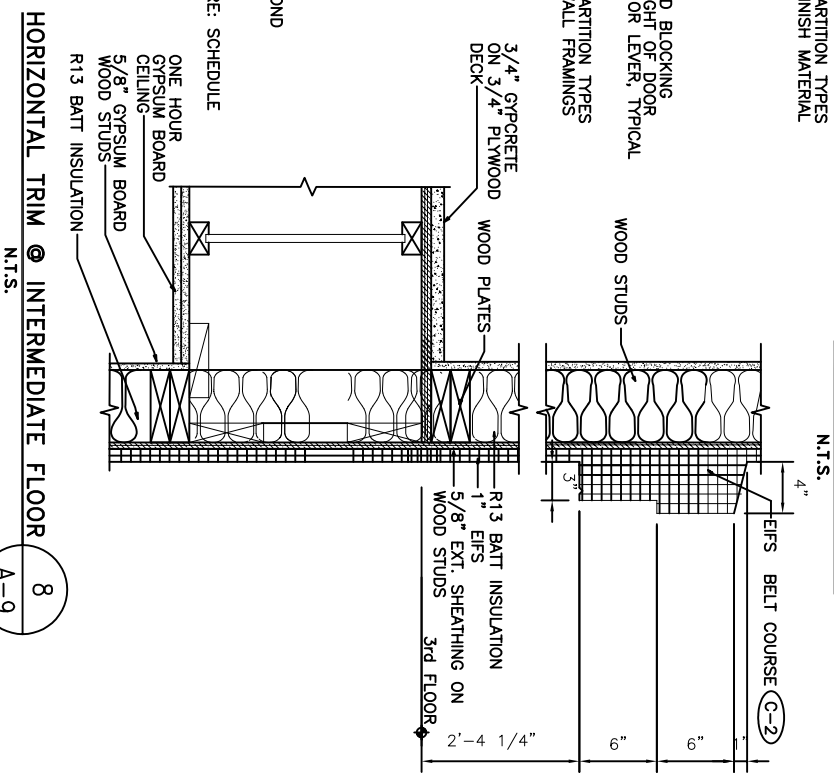


FRAMING DETAIL @ DOOR  
N.T.S.

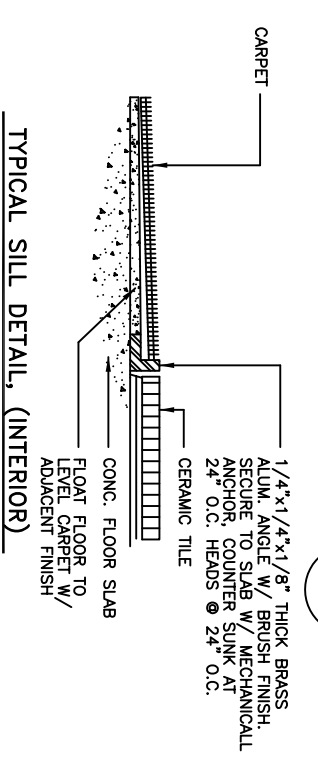


TYPICAL SILL DETAIL, (EXTERIOR)  
N.T.S.

- GENERAL NOTES:
1. ALL METAL FRAMES ARE TO BE KNOCK DOWN TYPE FRAME.
  2. 1-HOUR FIRE BARRIER SEPARATION DOOR AND FRAME ASSEMBLIES WILL HAVE SELF CLOSING LABELED 45 MIN. DOOR FRAME, 101:16 32.



HORIZONTAL TRIM @ INTERMEDIATE FLOOR  
N.T.S. 8 A-9



TYPICAL SILL DETAIL, (INTERIOR)  
N.T.S.

DOOR DETAILS  
LA QUINTA INN & SUITES #12  
HOLIDAY BOULEVARD  
SLIDELL, LOUISIANA

LA QUINTA INN & SUITES #12  
**DAMMON ENGINEERING, INC.**  
1095 FLORIDA AVENUE 985-649-5832 SLIDELL, LA. 70458  
DAMMONENGINEERING.COM

SCALE: 3/4" = 1'  
FILE:  
JOB NO. 1828  
DATE: 2-15-07  
SHEET 17  
A-9  
OF 33