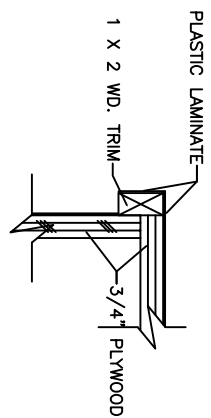
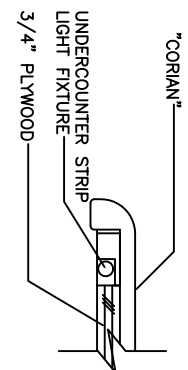


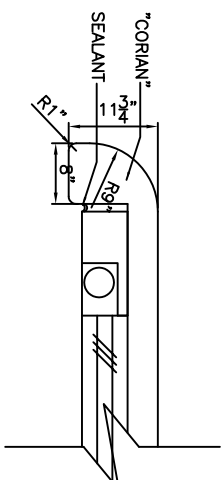
EDGE DETAILS 16  
N.T.S. A.11



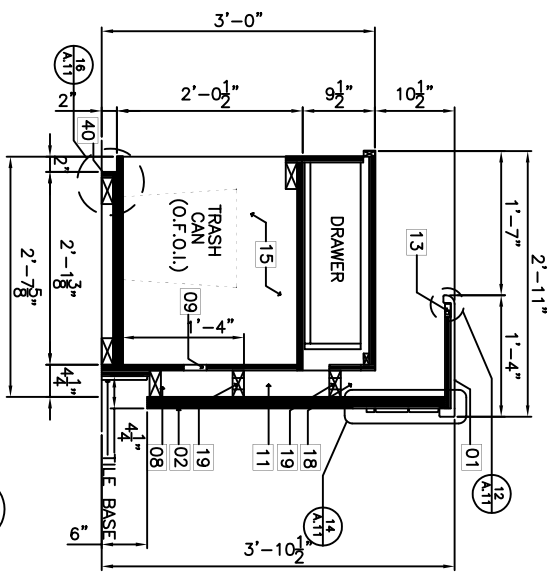
EDGE DETAILS 15  
N.T.S. A.11



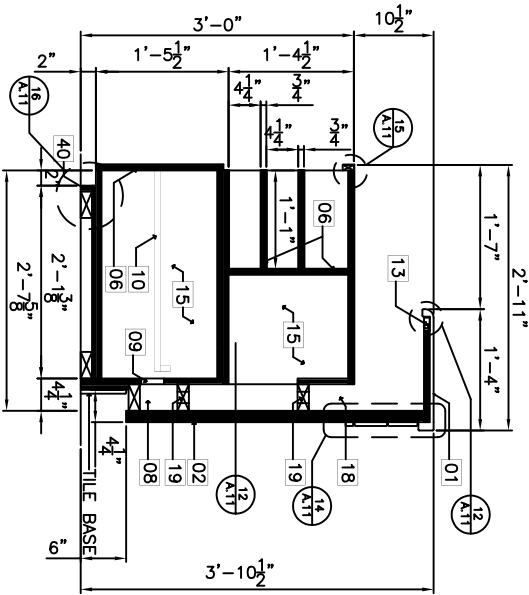
EDGE DETAILS 12  
N.T.S. A.11



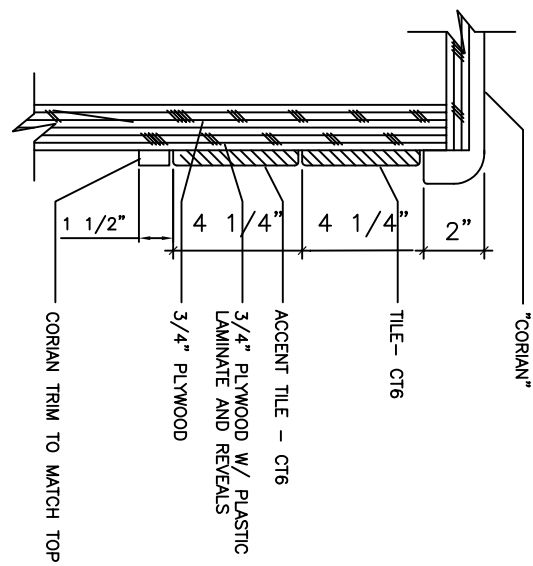
EDGE DETAILS 13  
N.T.S. A.11



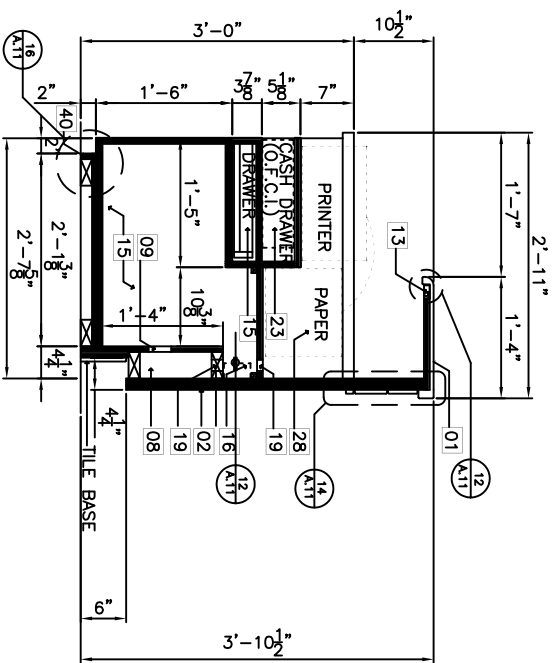
REGISTRATION DESK SECTION T  
SCALE: 1"=1'-0" A.11



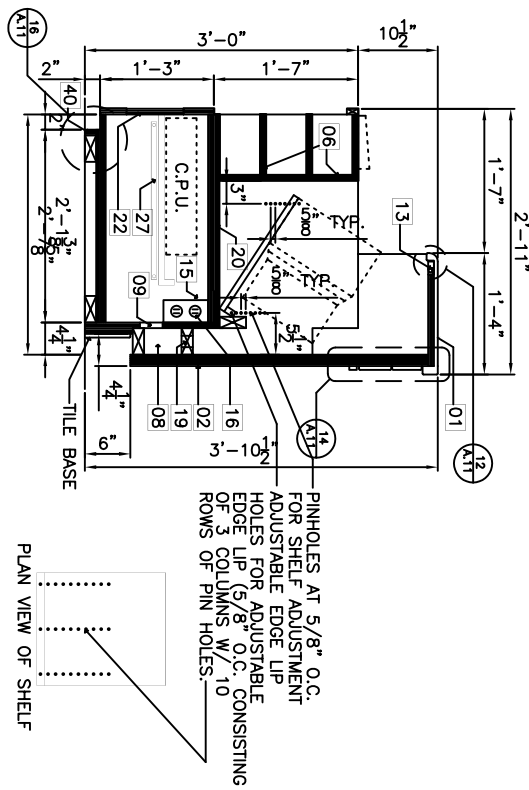
REGISTRATION DESK SECTION S  
SCALE: 1"=1'-0" A.11



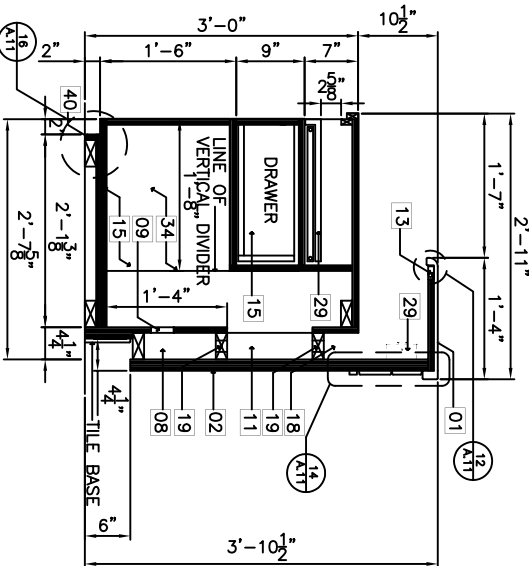
EDGE DETAILS 14  
N.T.S. A.11



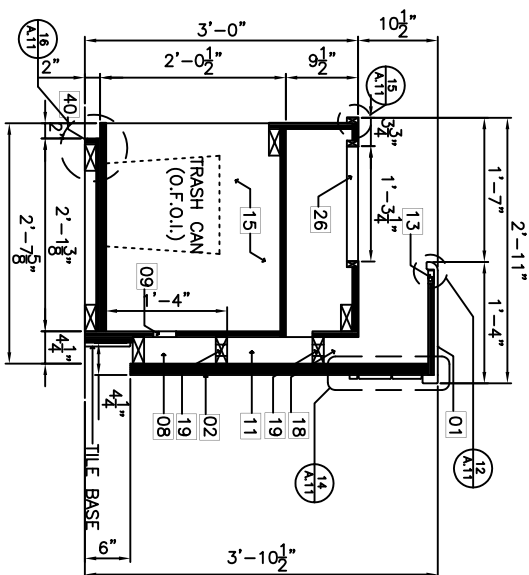
REGISTRATION DESK SECTION R  
SCALE: 1"=1'-0" A.11



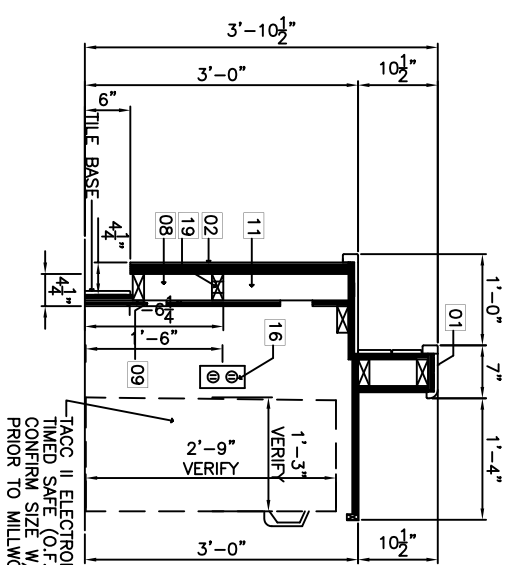
REGISTRATION DESK SECTION P  
SCALE: 1"=1'-0" A.11



REGISTRATION DESK SECTION N  
SCALE: 1"=1'-0" A.11



REGISTRATION DESK SECTION M  
SCALE: 1"=1'-0" A.11



REGISTRATION DESK SECTION L  
SCALE: 1"=1'-0" A.11

PINHOLES AT 5/8" O.C. FOR SHELF ADJUSTMENT ADJUSTABLE EDGE LIP HOLES FOR ADJUSTABLE EDGE LIP (5/8" O.C. CONSISTING OF 3 COLUMNS W/ 10 ROWS OF PIN HOLES.)

PLAN VIEW OF SHELF

TACC II ELECTRONIC TIMED SAFE (O.F.O.I.) CONFORM SIZE W/ OWNER PRIOR TO MILLWORK FABRICATION.