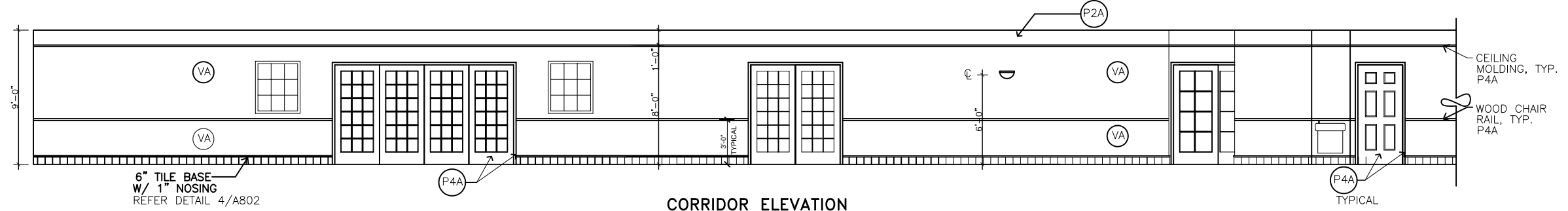
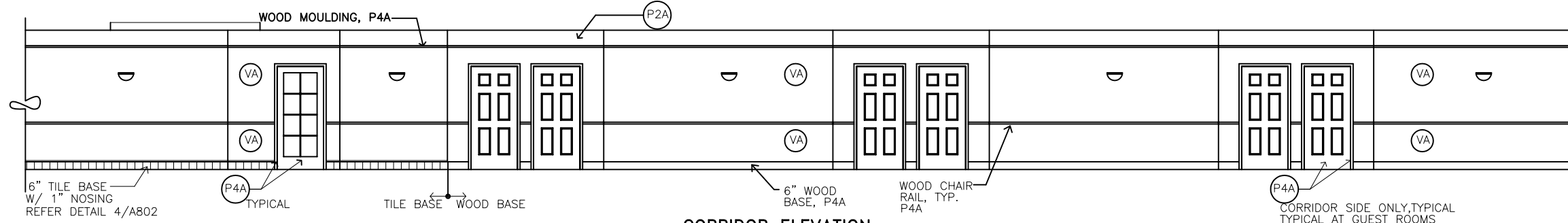


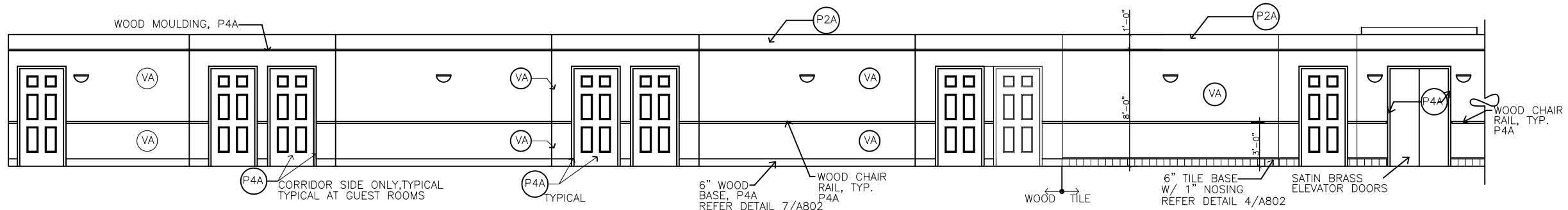
NOTE: SEE SHEET
A-7 FOR SCHEDULE



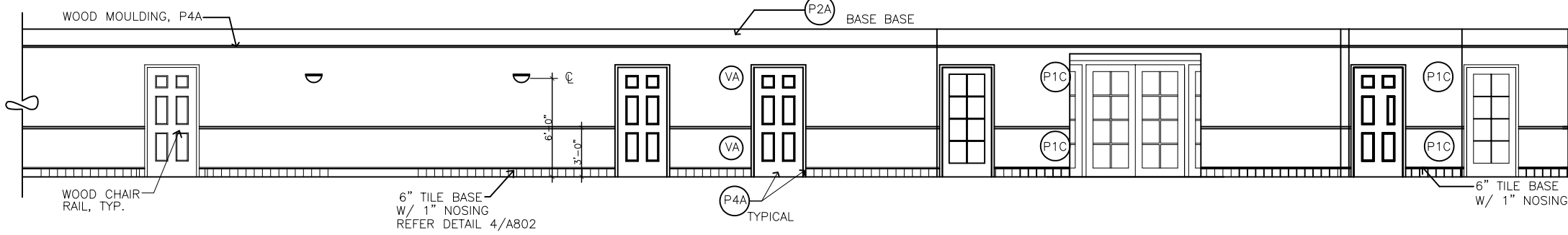
CORRIDOR ELEVATION
SCALE: 1/4"=1'-0"



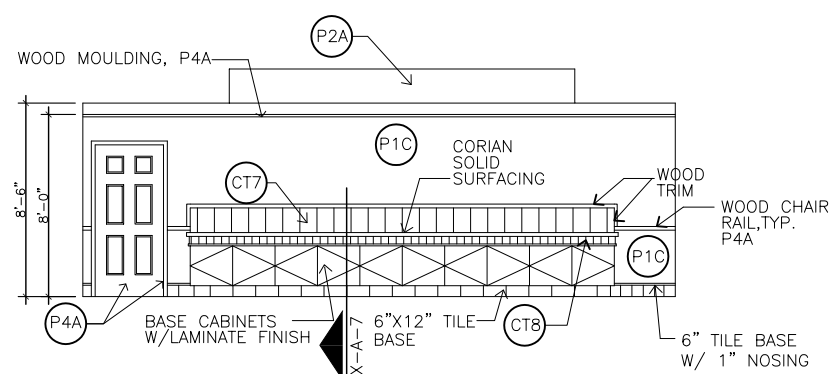
CORRIDOR ELEVATION
SCALE: 1/4"=1'-0"



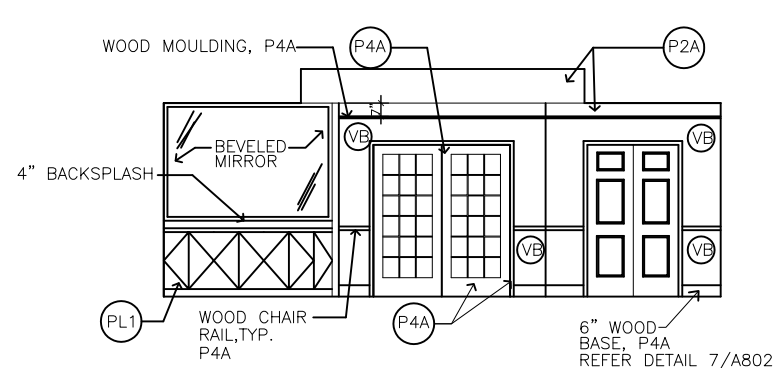
CORRIDOR ELEVATION
SCALE: 1/4"=1'-0"



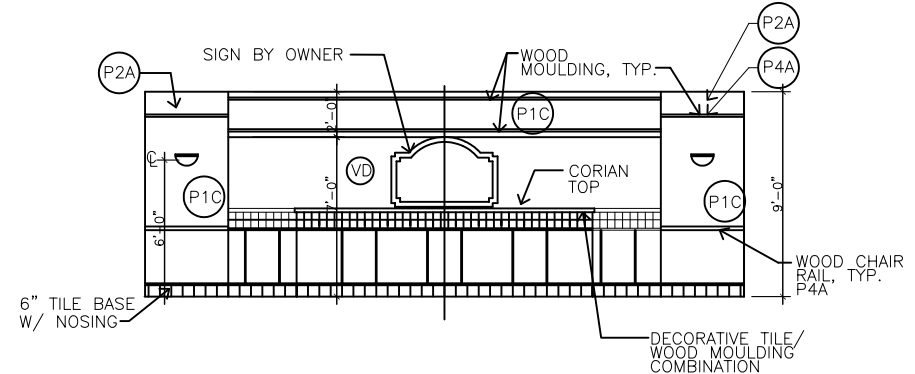
CORRIDOR ELEVATION
SCALE: 1/4"=1'-0"



BREAKFAST AREA 26
SCALE: 1/4"=1'-0" A.15



MEETING ROOM ELEVATION
SCALE: 1/4"=1'-0"



FRONT OFFICE DESK
SCALE: 1/4"=1'-0"

INTERIOR ELEVATIONS

LA QUINTA INN & SUITES #12
HOLIDAY BOULEVARD
SLIDELL, LOUISIANA

LA QUINTA INN & SUITES #12

DAMMON ENGINEERING, INC.
ARCHITECTS - ENGINEERS
1086 FLORIDA AVENUE 985-649-5692 SLIDELL, LA. 70458
DAMMONENGINEERING.COM

SCALE: AS NOTED

FILE:

JOB NO. 1828

DATE: 2-15-07

SHEET 23

A-15

OF 33