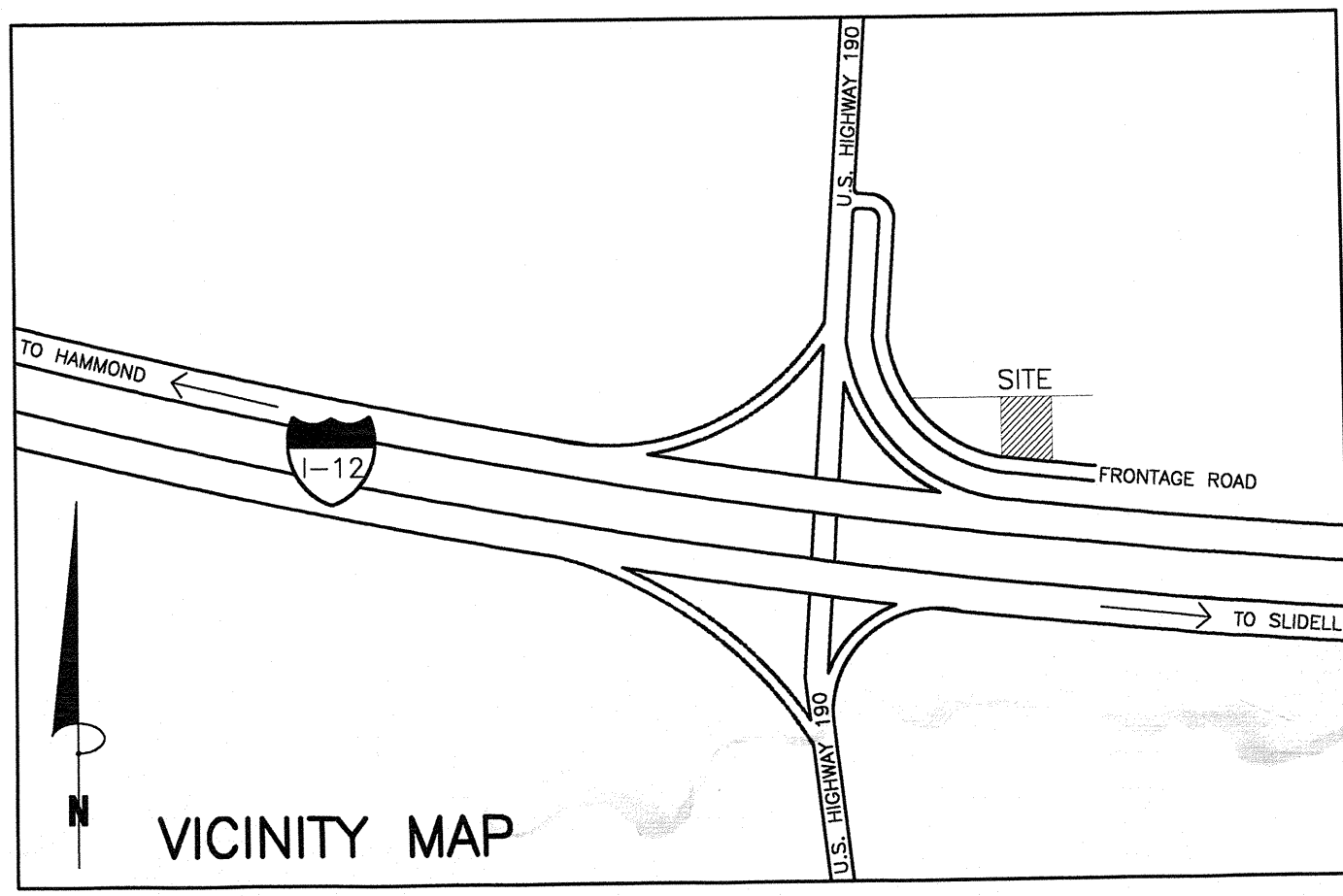


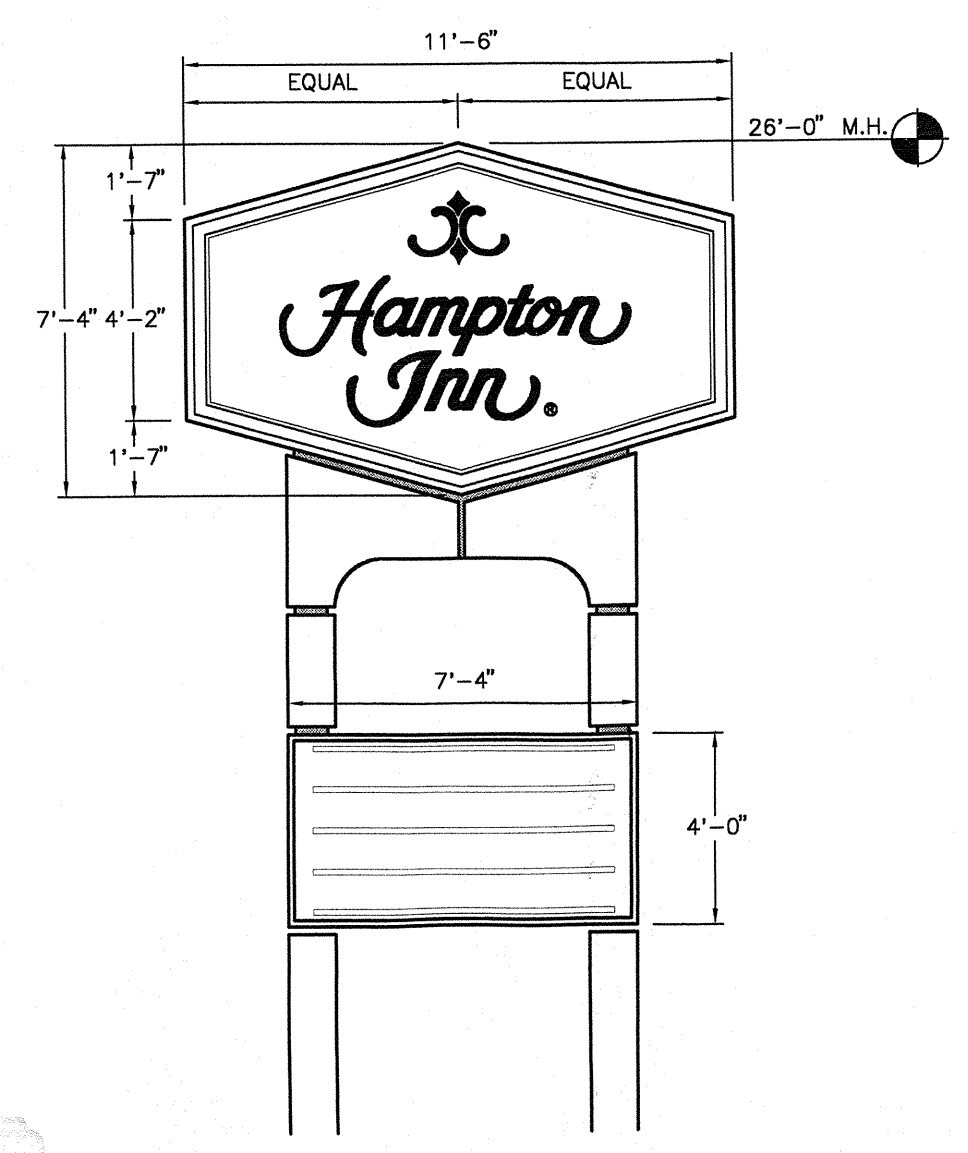
**1** SITE PLAN  
SCALE: 1" = 20'-0"



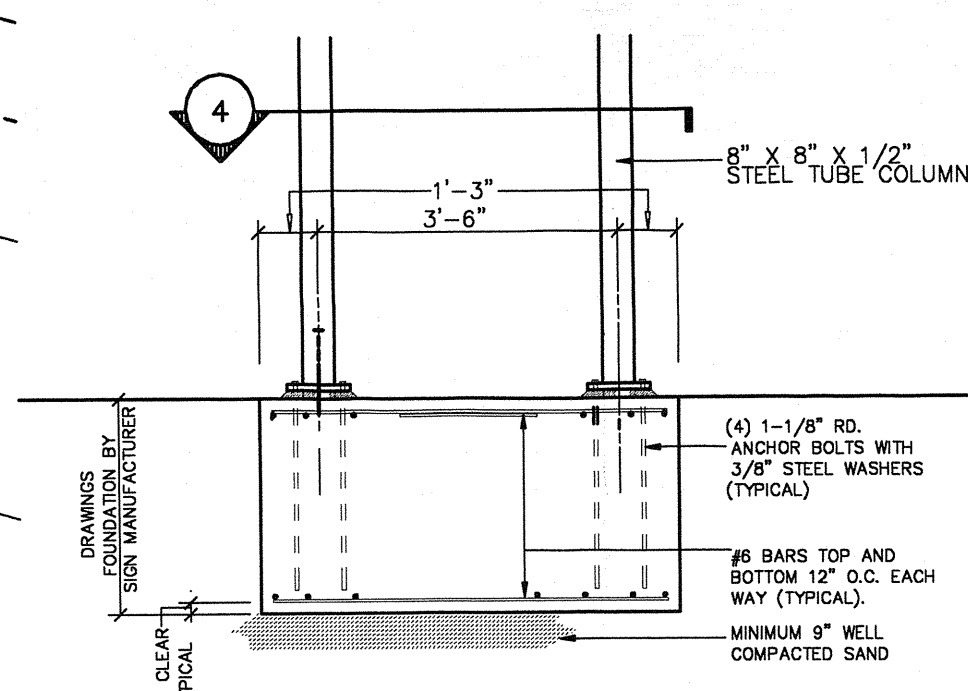
VICINITY MAP

ROOM COUNT			
ROOM	GROUND FL.	SECOND FL.	THIRD FL. TOTAL
DOUBLE/QUEEN	4	11	10 25
KING	8	13	13 34
ACCESSIBLE KING	1	2	2 5
JACUZZI SUITE	2	2	2 6
EXECUTIVE SUITE	-	1	1 2
TOTAL	17	29	28 72

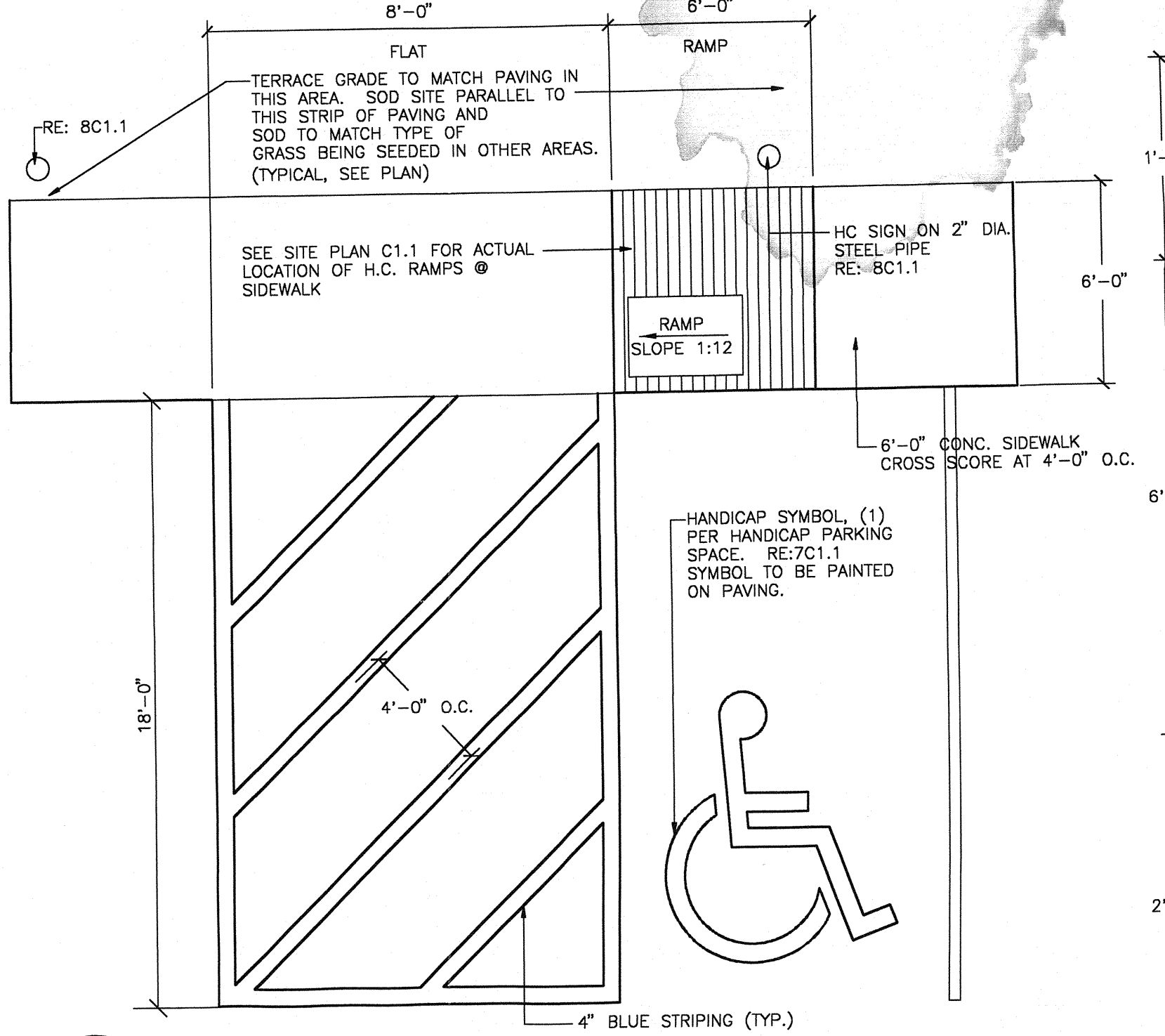
SYMBOL LEGEND	
⊙	DOOR MARK, REFER TO SCH. A3.0
⊠	WINDOW MARK, REFER TO SCH. A3.0
100	ROOM NUMBER, REFER TO SCH. A2.4
◊	WALL TYPE MARK, REFER TO SCH. A2.4
⊕	SECTION/ELEVATION MARK 1 - DETAIL # A1.0 - SHEET #
⊕	ENLARGED PLAN MARK 1 - DETAIL # A1.0 - SHEET #



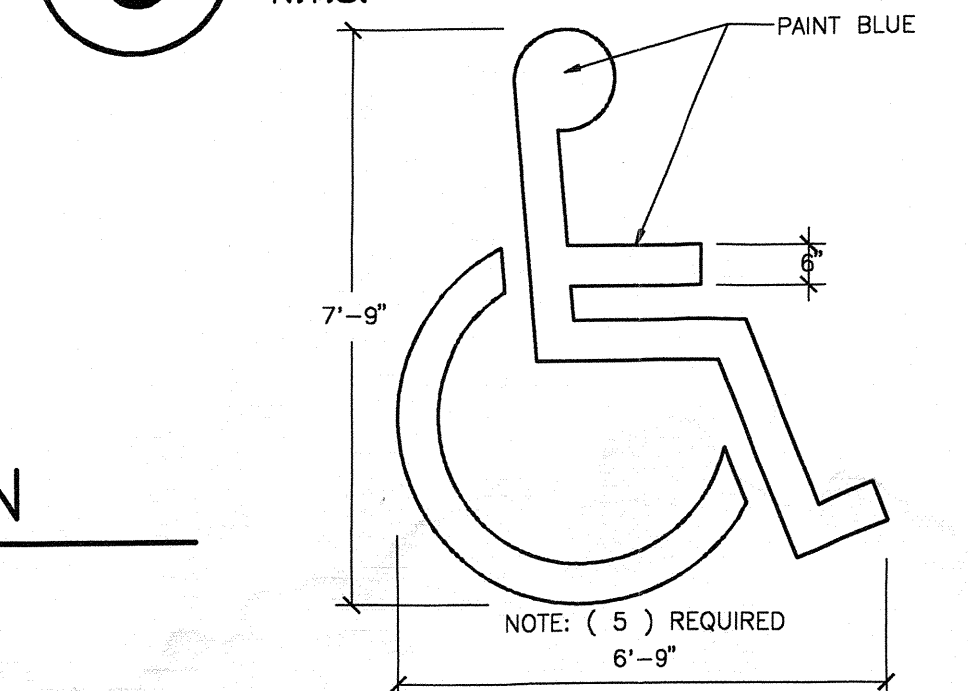
**2** HAMPTON INN SIGN  
SCALE: 1/4" = 1'-0"



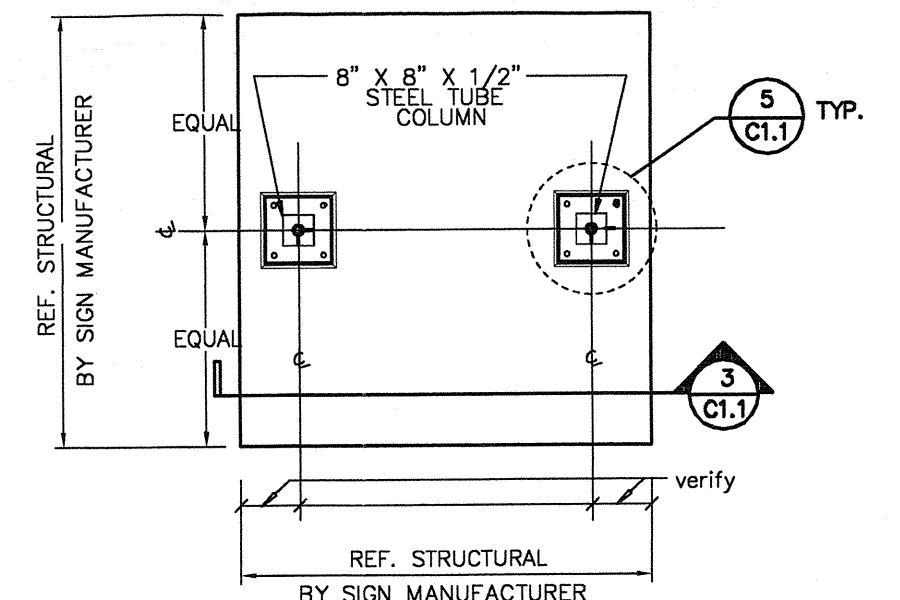
**3** FOUNDATION ELEVATION  
SCALE: 1/4" = 1'-0"



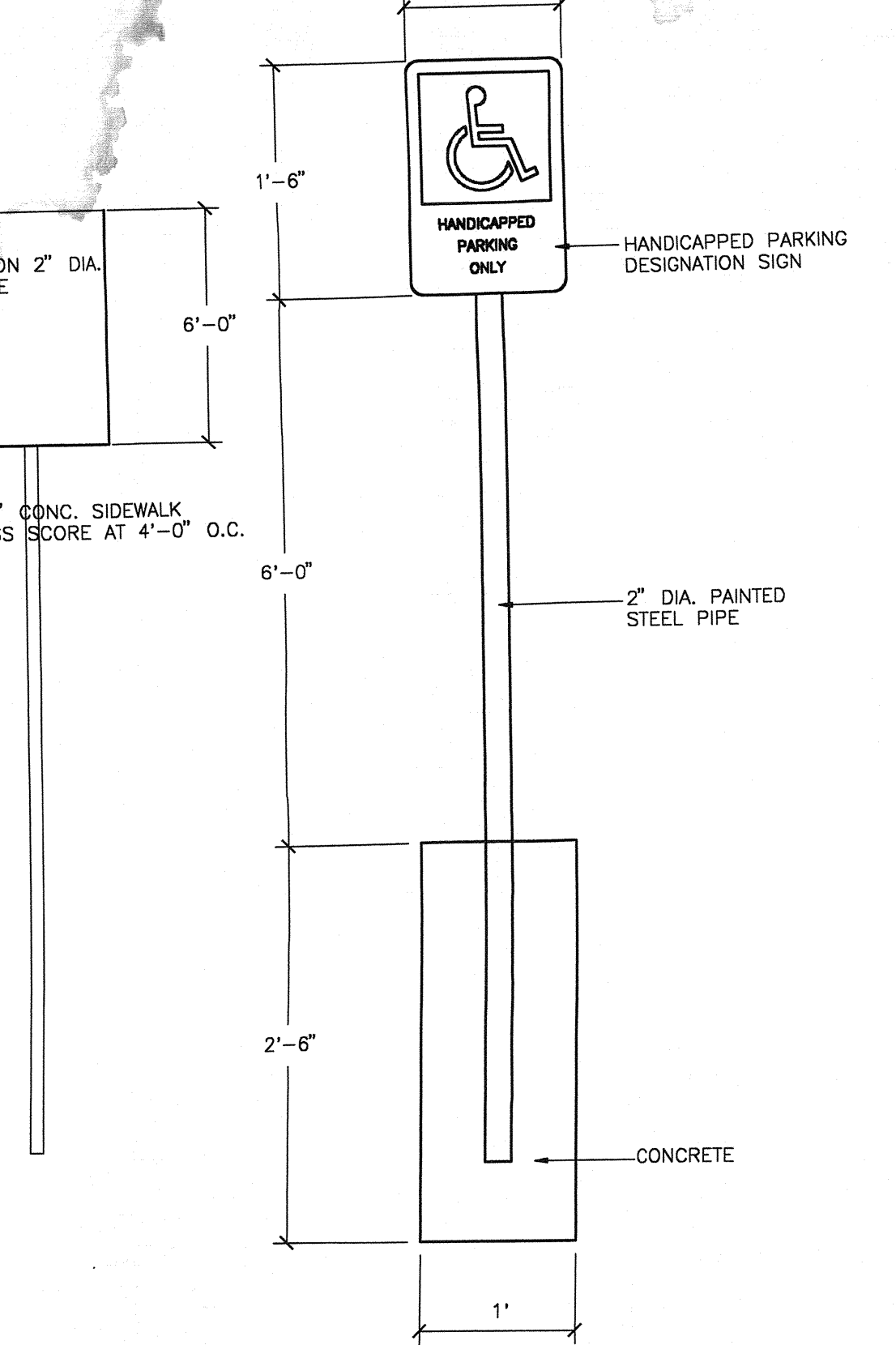
**6** H.C. PARKING DETAILS  
N.T.S.



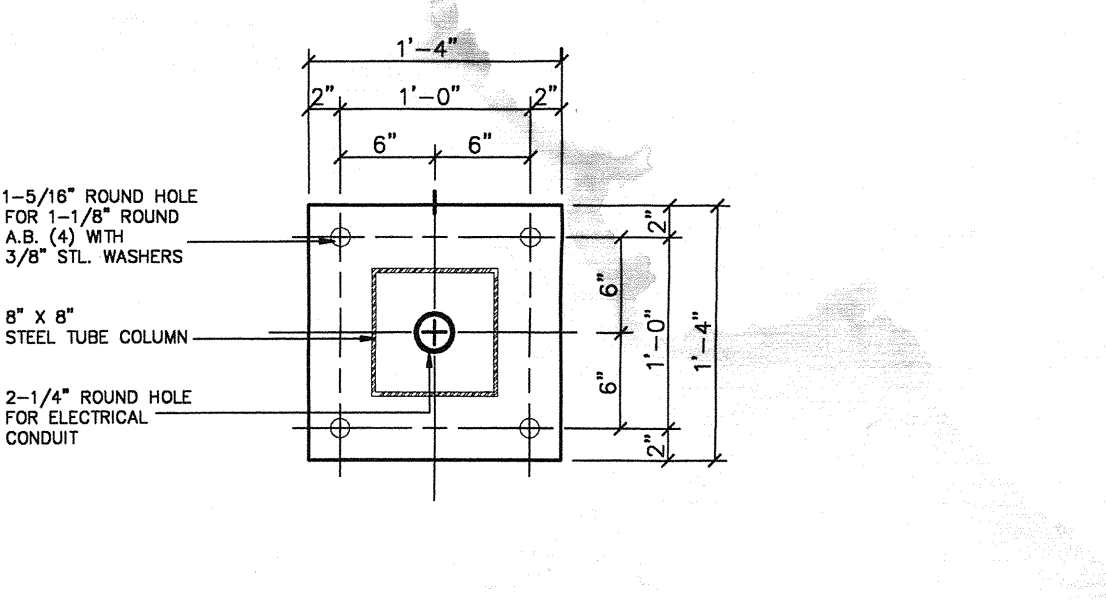
**7** H.C. PARKING DETAILS  
N.T.S.



**4** FOUNDATION PLAN  
SCALE: 1/4" = 1'-0"



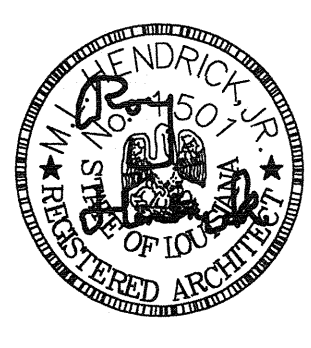
**8** H.C. PARKING DETAILS  
N.T.S.



**5** COLUMN PLAN DETAIL  
SCALE: 1/4" = 1'-0"

PROJECT DATA:	
SITE AREA	69,561 SQ.FT.
BUILDING AREA	
GROUND FLOOR	12,614 SQ.FT.
SECOND FLOOR	12,614 SQ.FT.
THIRD FLOOR	12,614 SQ.FT.
TOTAL	37,842 SQ.FT.
BUILDING DATA	
BUILDING HEIGHT	3 STORIES (40'-5")
PARKING	
STANDARD (9'-0" X 18'-0")	74
ACCESSIBLE (8'-0" X 18'-0")	5
	77

ROY HENDRICK AIA ARCHITECT  
5647 GALERIA DRIVE, SUITE H  
BATON ROUGE, LOUISIANA 70816  
(225)-293-6363



**Hampton Inn**  
SIX G'S SUBDIVISION  
COVINGTON, LOUISIANA

REVISIONS  
REVISED  
02-28-01  
05-14-01

DATE  
11-01-00  
DRAWN BY  
SHEET

C11