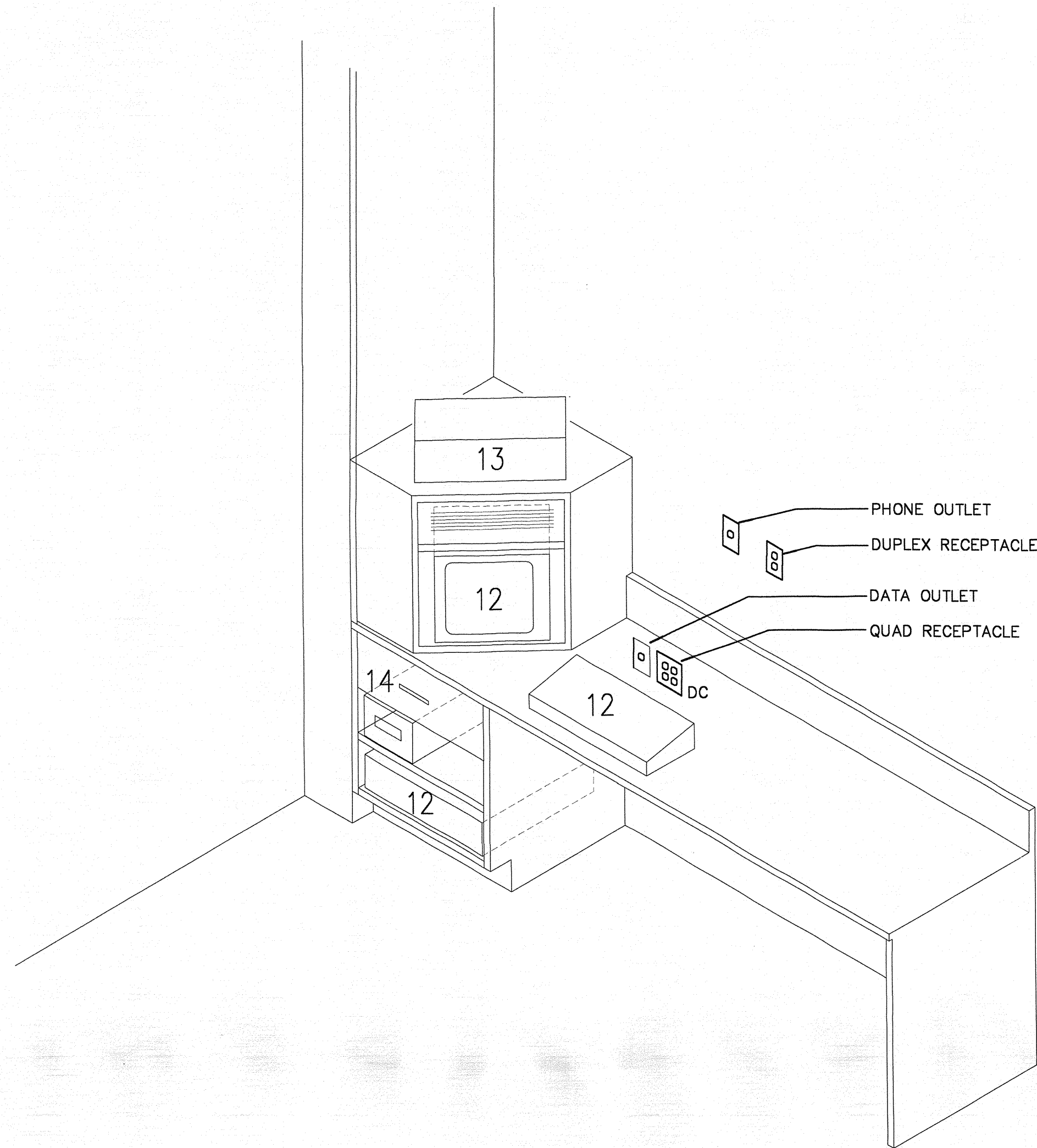


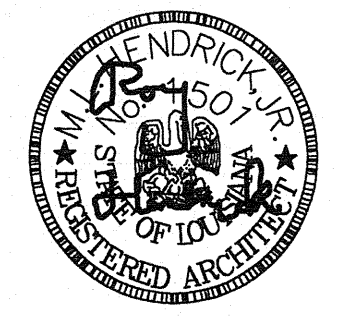
SEE BELOW FOR CONTINUATION

NOTE: ONLY DEDICATED CIRCUIT RECEPTACLES FOR HMS EQUIPMENT SHOWN. GENERAL PURPOSE NON-DEDICATED RECEPTACLES ARE AT OPTION OF LOCAL OPERATOR—REFER TO ELECTRICAL REQUIREMENTS DIAGRAM FOR RECOMMENDED LOCATIONS.

1 REGISTRATION DESK ISOMETRIC
N.T.S.



2 WORK AREA / DEPOSITORY ISOMETRIC
N.T.S.



| REVISIONS |
|-----------|
| REVISED |
| 02-28-01 |
| 05-14-01 |

DATE
11-01-00
DRAWN BY
SHEET