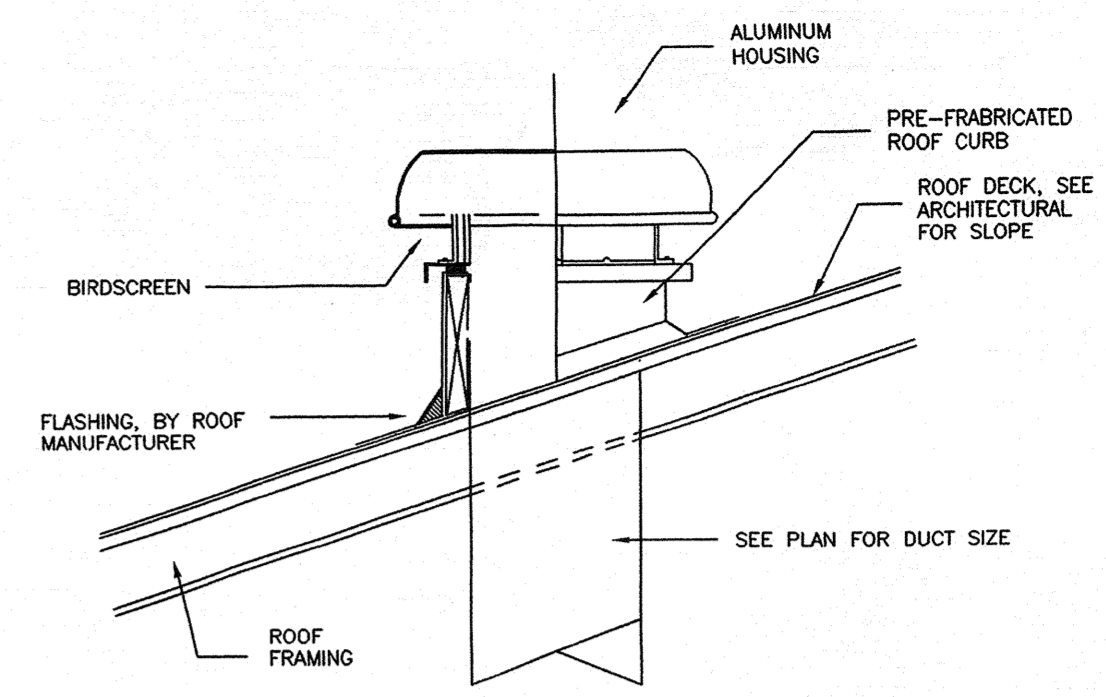
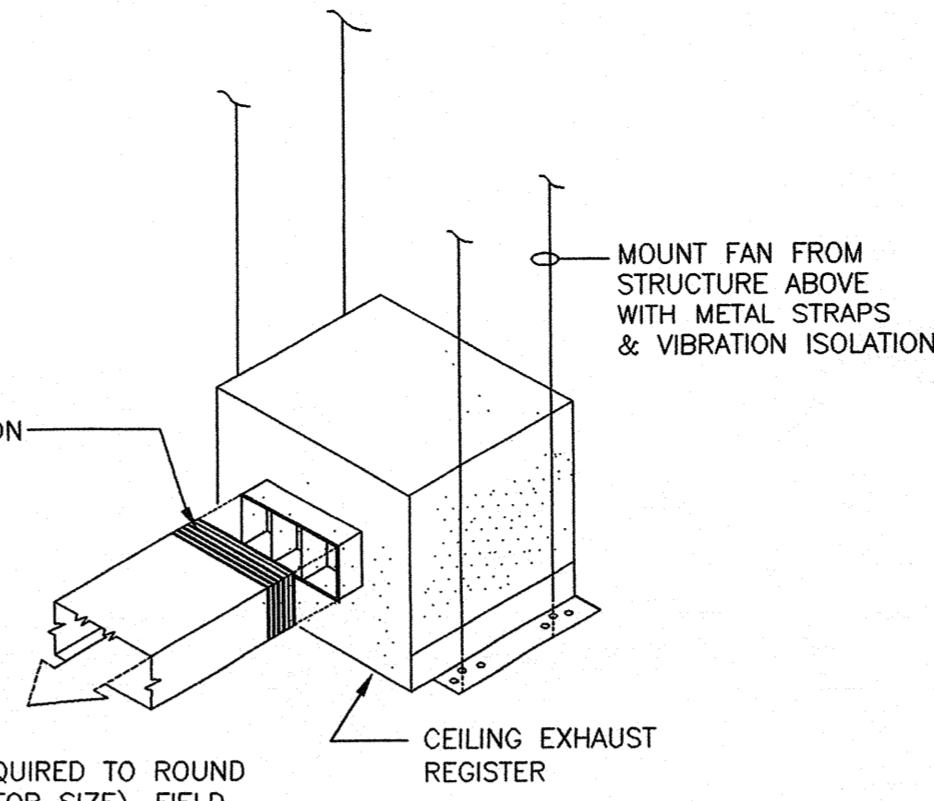
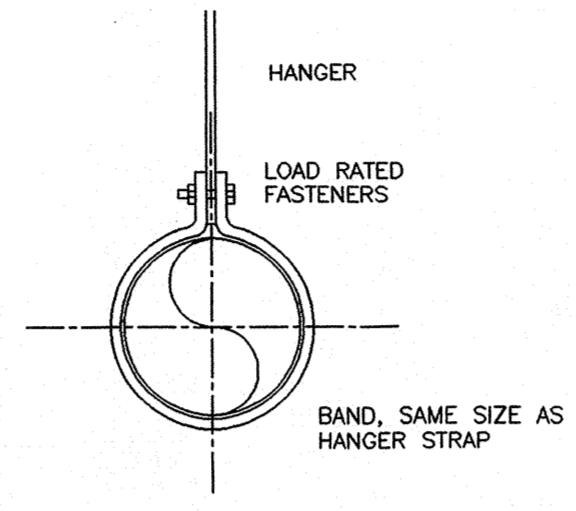


MINIMUM HANGERS SIZES FOR ROUND DUCT			
DIA.	MIN. SPACING	ROD	STRAP
10" DN	12'0"	1/4"	1"x22 GA.
11"-18"	12'0"	1/4"	1"x22 GA.
19"-24"	12'0"	1/4"	1"x22 GA.
25"-36"	25'-36"	1/4"	1"x22 GA.
37"-50"	12'0"	TWO (2) 3/8"	TWO (2) 1"x18 GA.
51"-60"	12'0"	TWO (2) 3/8"	TWO (2) 1"x18 GA.

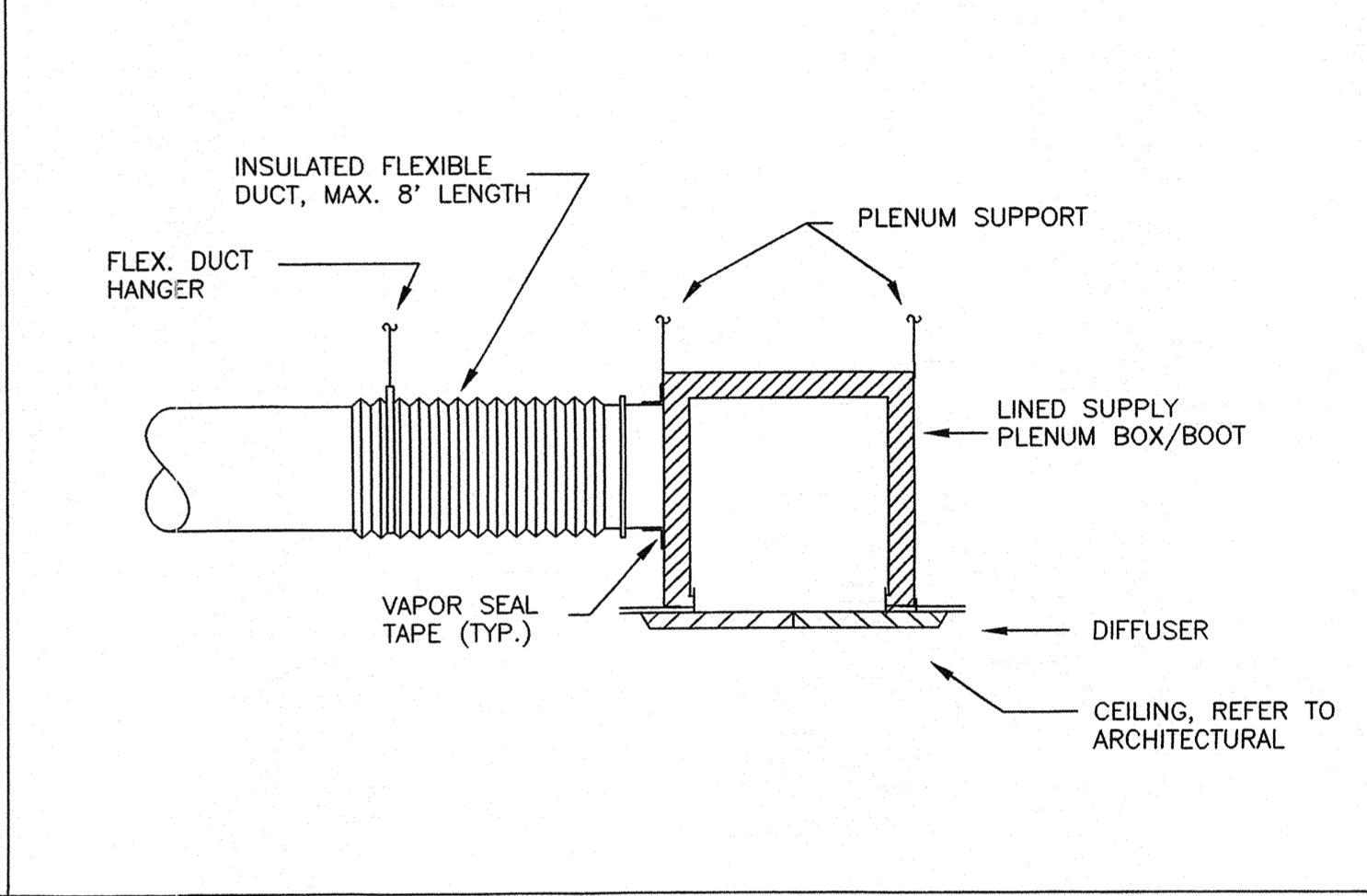
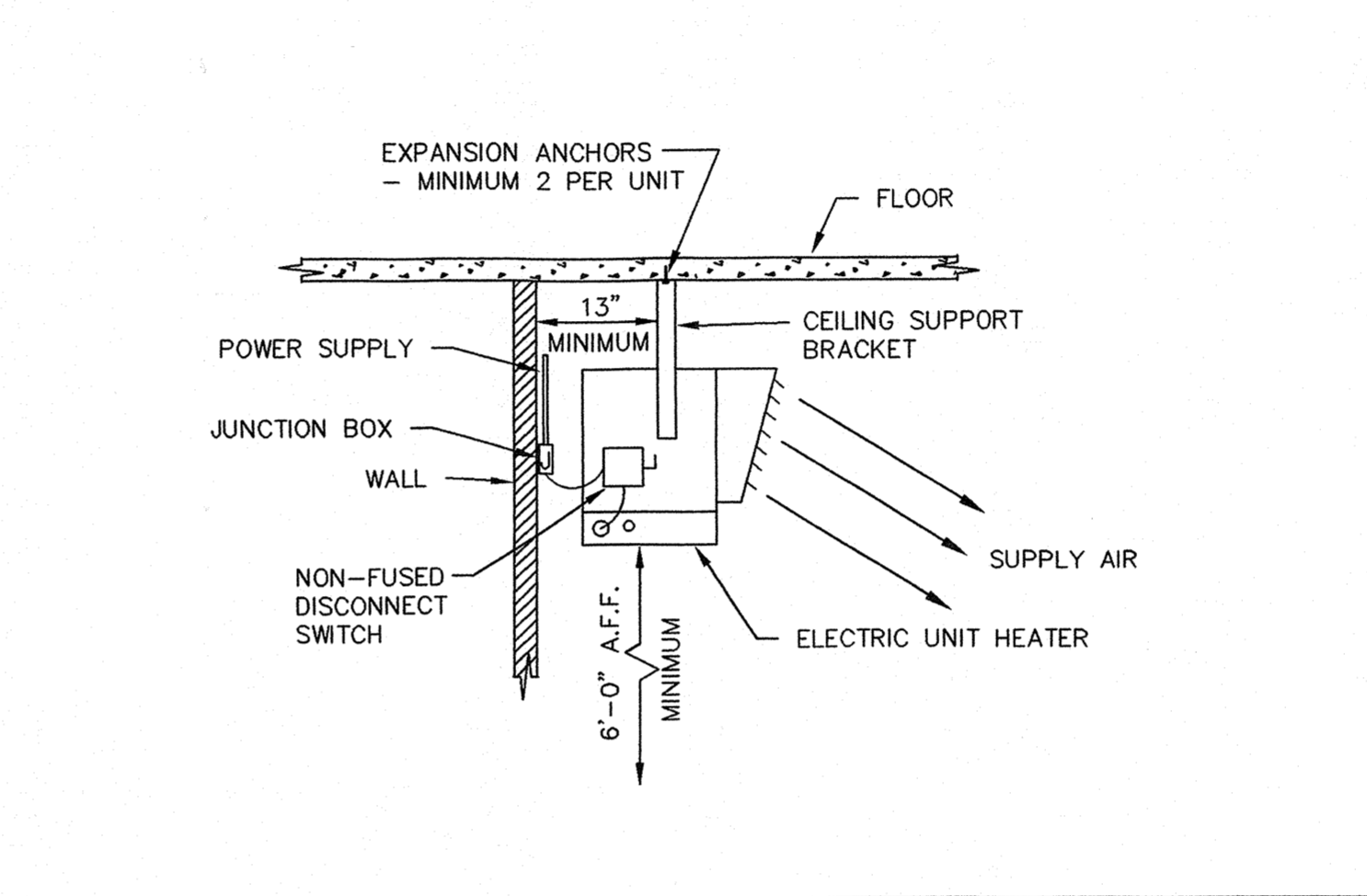
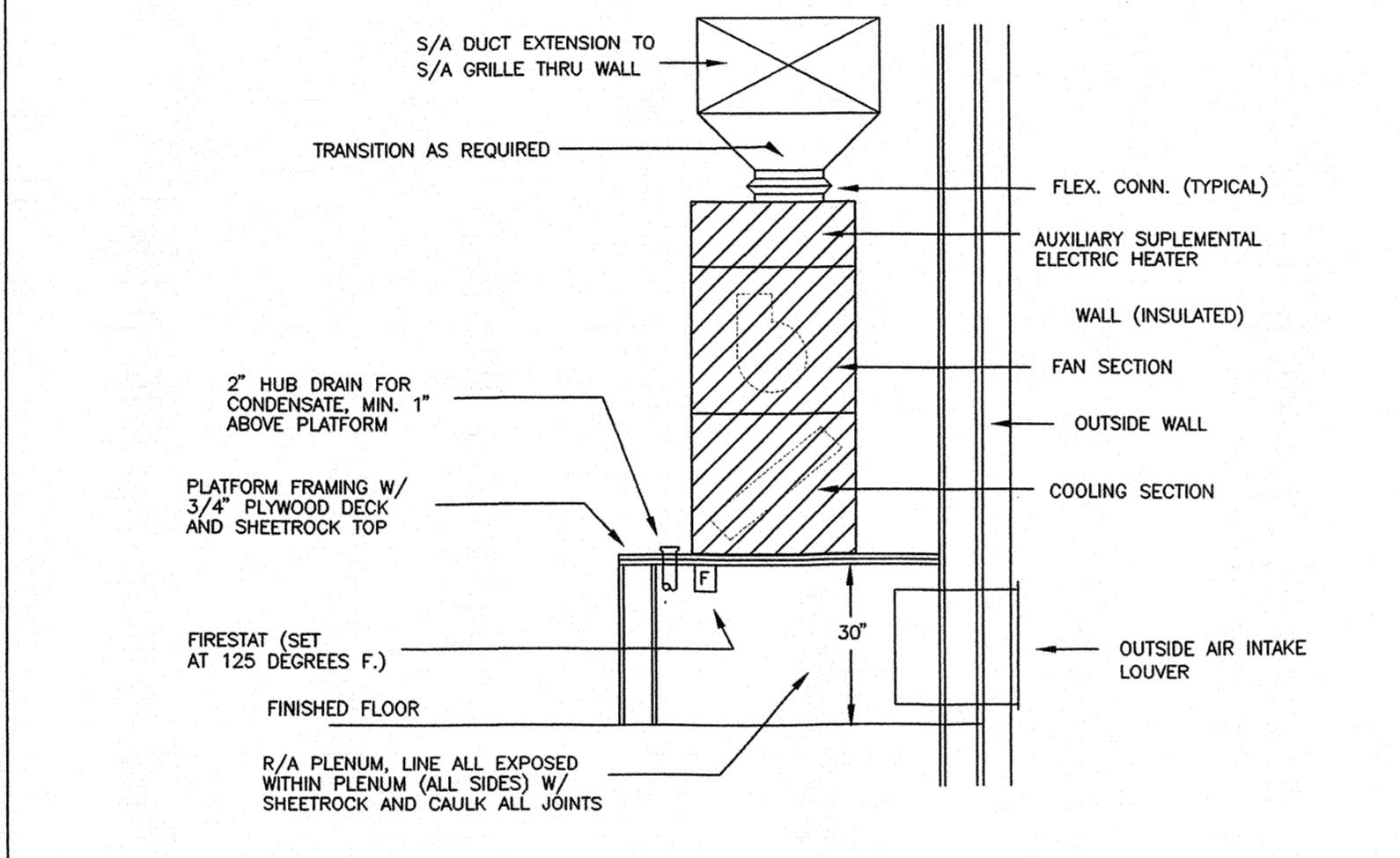
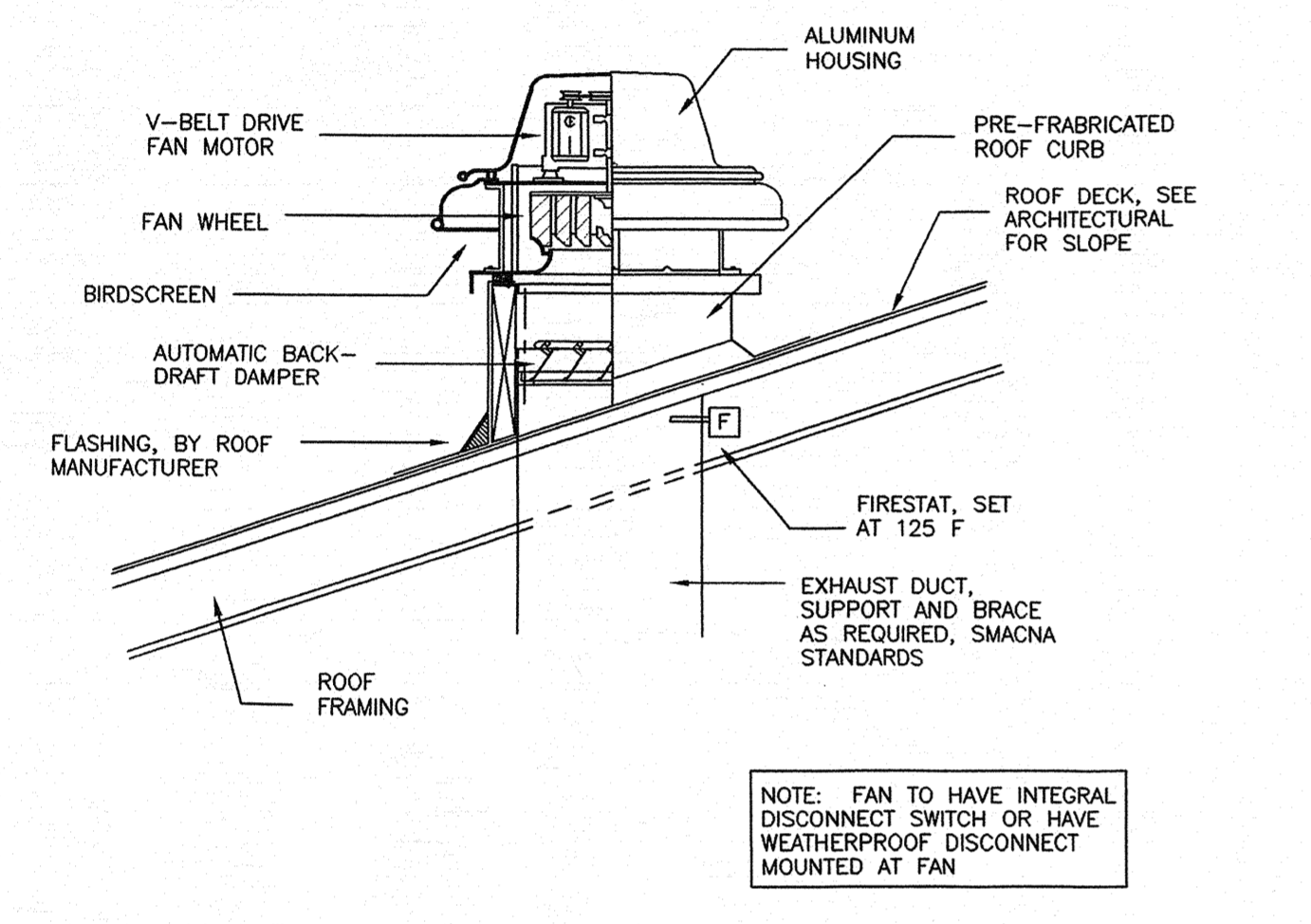


1 DETAIL - BRANCH CONNECTION, TYPICAL
NO SCALE

2 DETAIL - ROUND DUCT SUPPORT
NO SCALE

3 DETAIL - CABINET FAN EXHAUST FAN, TYPICAL
NO SCALE

4 DETAIL - ROOF HOOD
NO SCALE

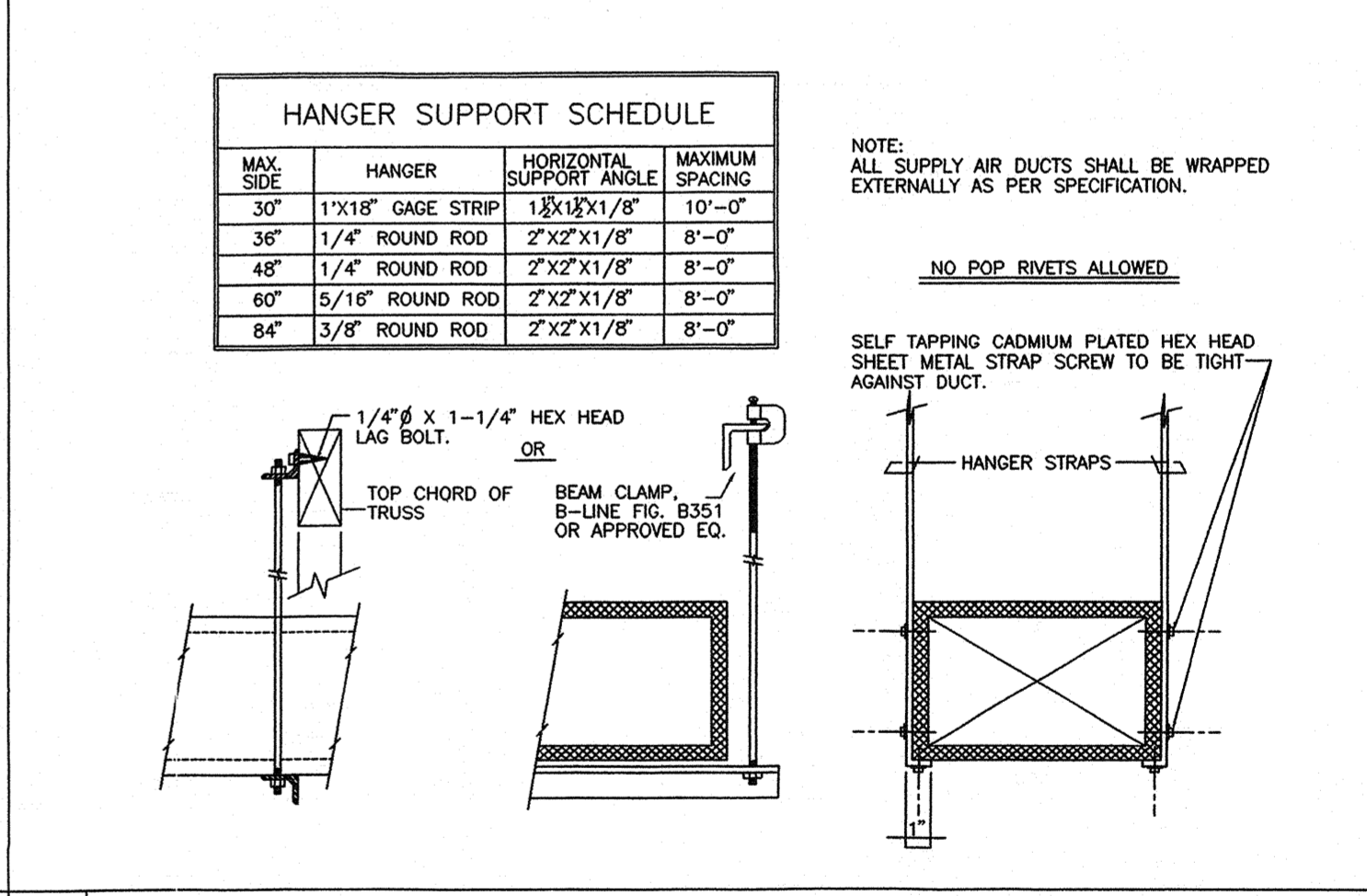
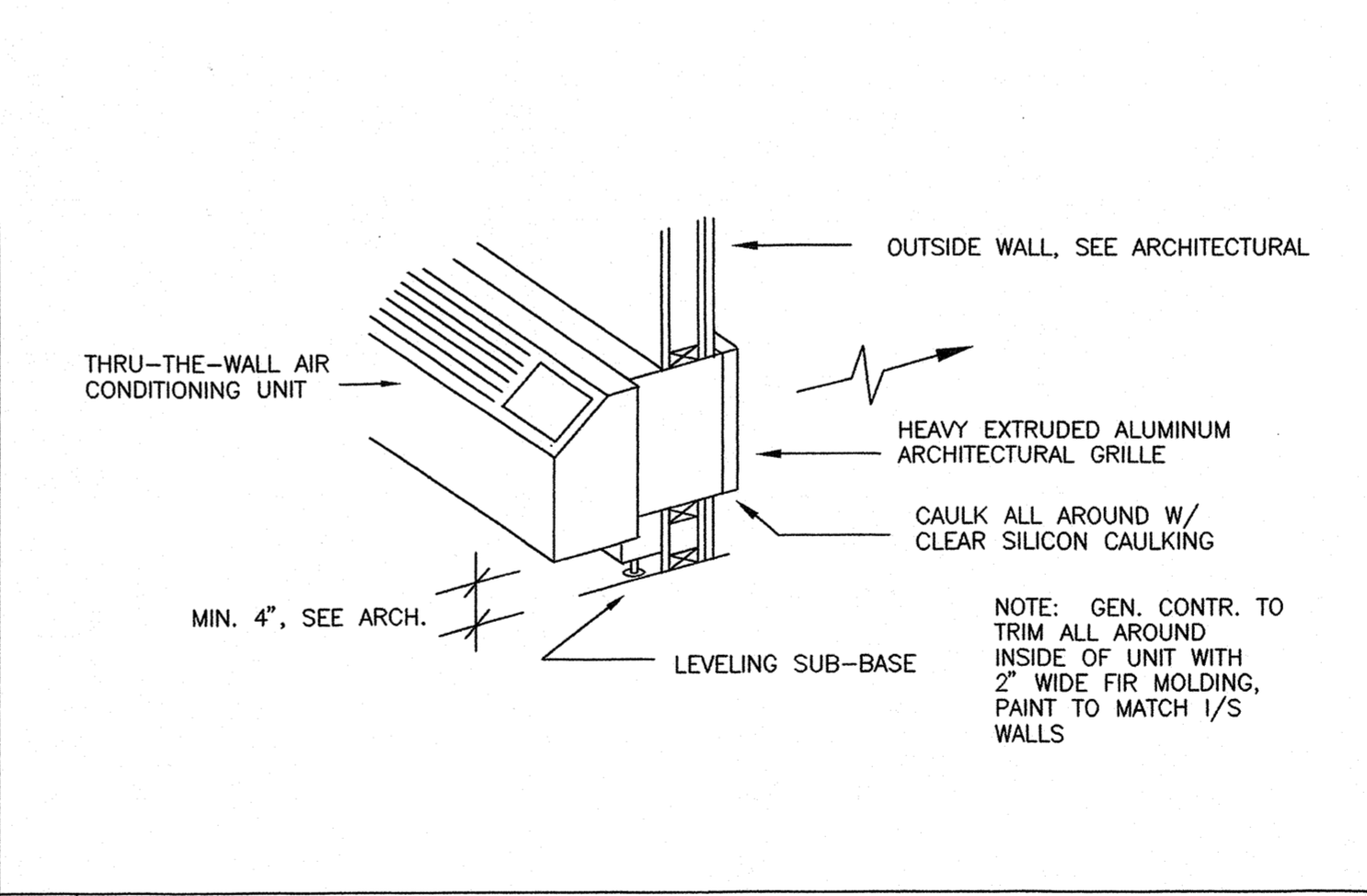
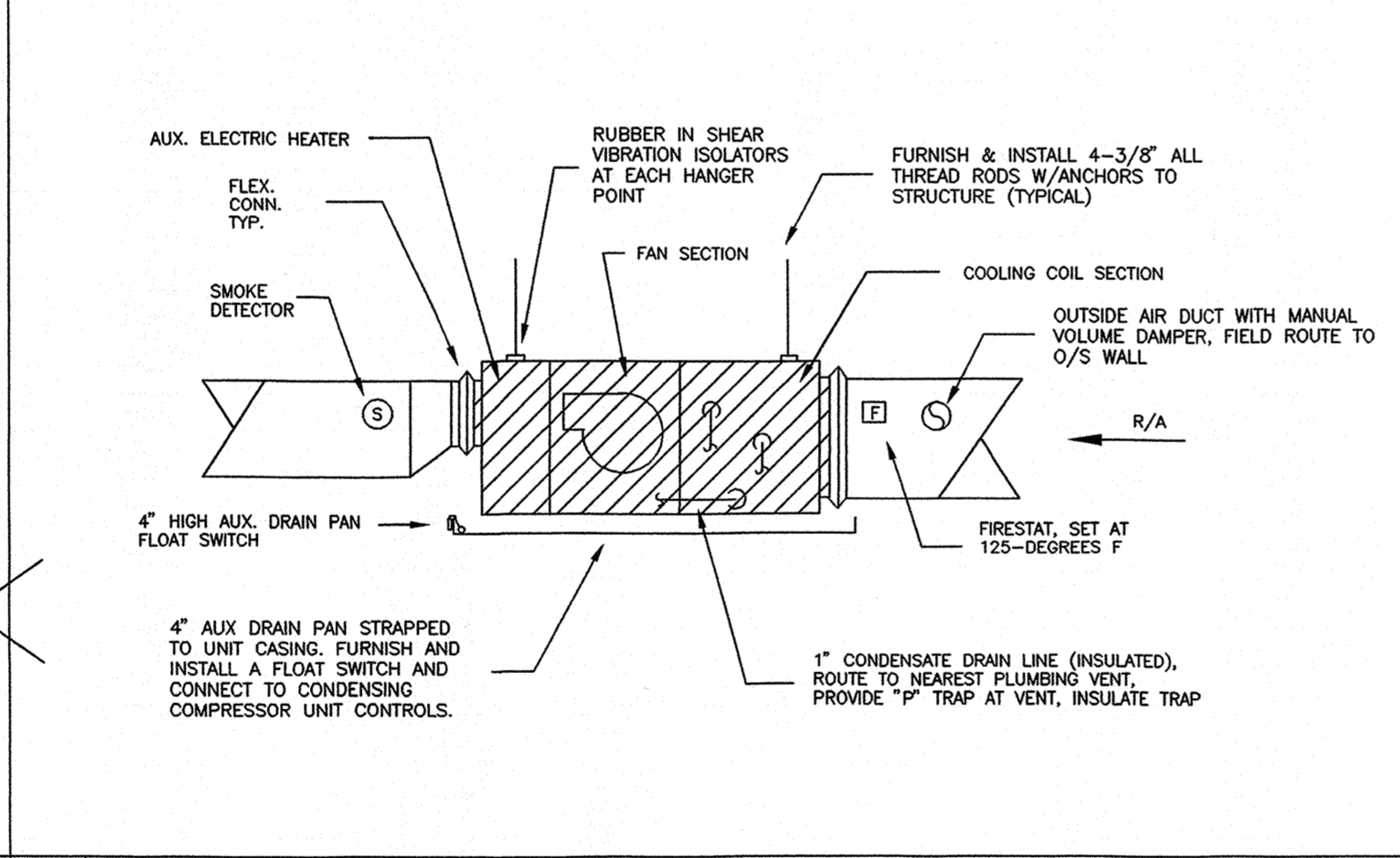
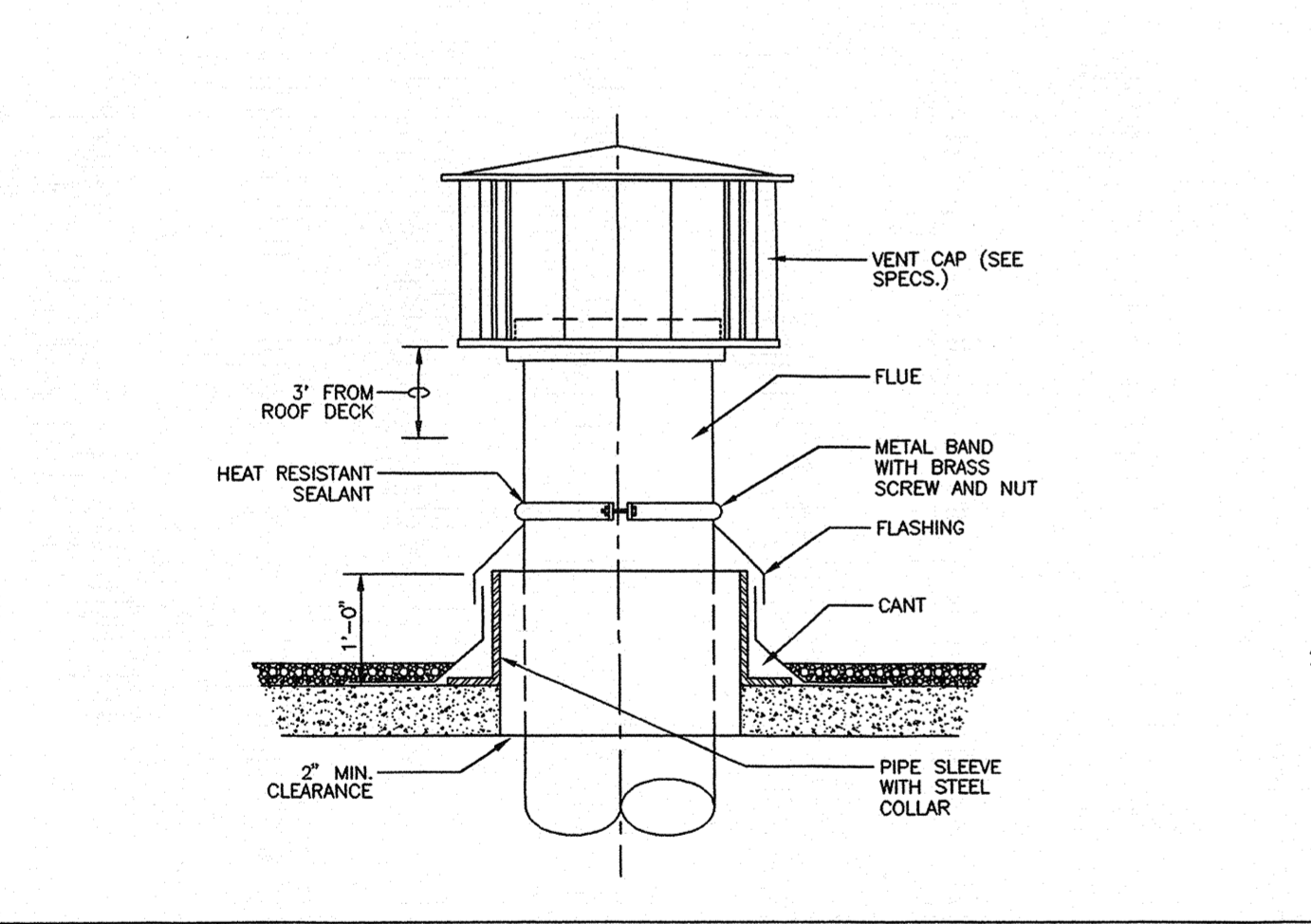


5 DETAIL - ROOF MOUNT EXHAUST FAN, TYPICAL
NO SCALE

6 DETAIL - VERTICAL AIR HANDLING UNIT, TYPICAL
NO SCALE

7 DETAIL - ELECTRIC UNIT HEATER, TYPICAL
NO SCALE

8 DETAIL - S/A OR R/A BOOT, TYPICAL
NO SCALE

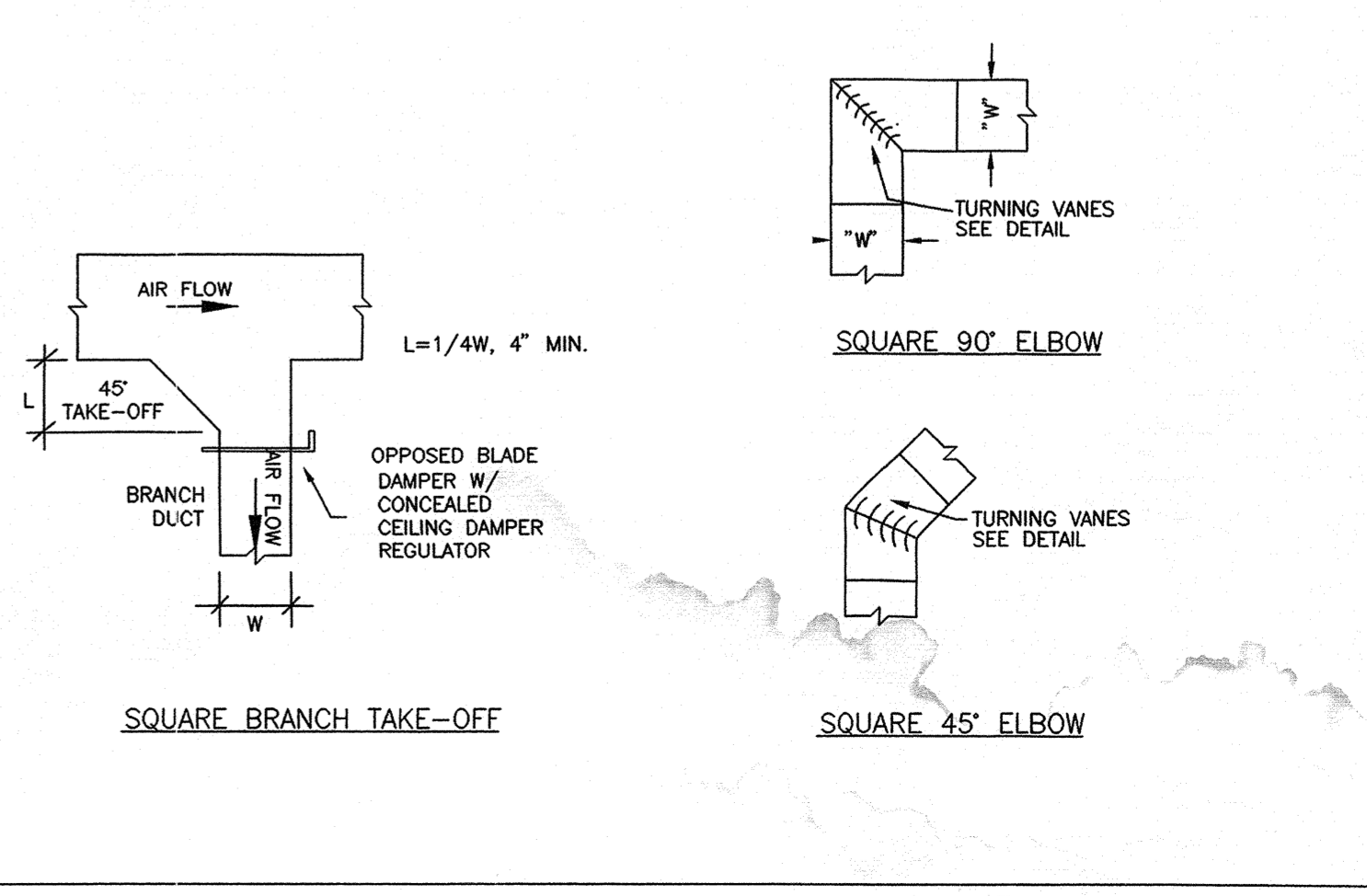
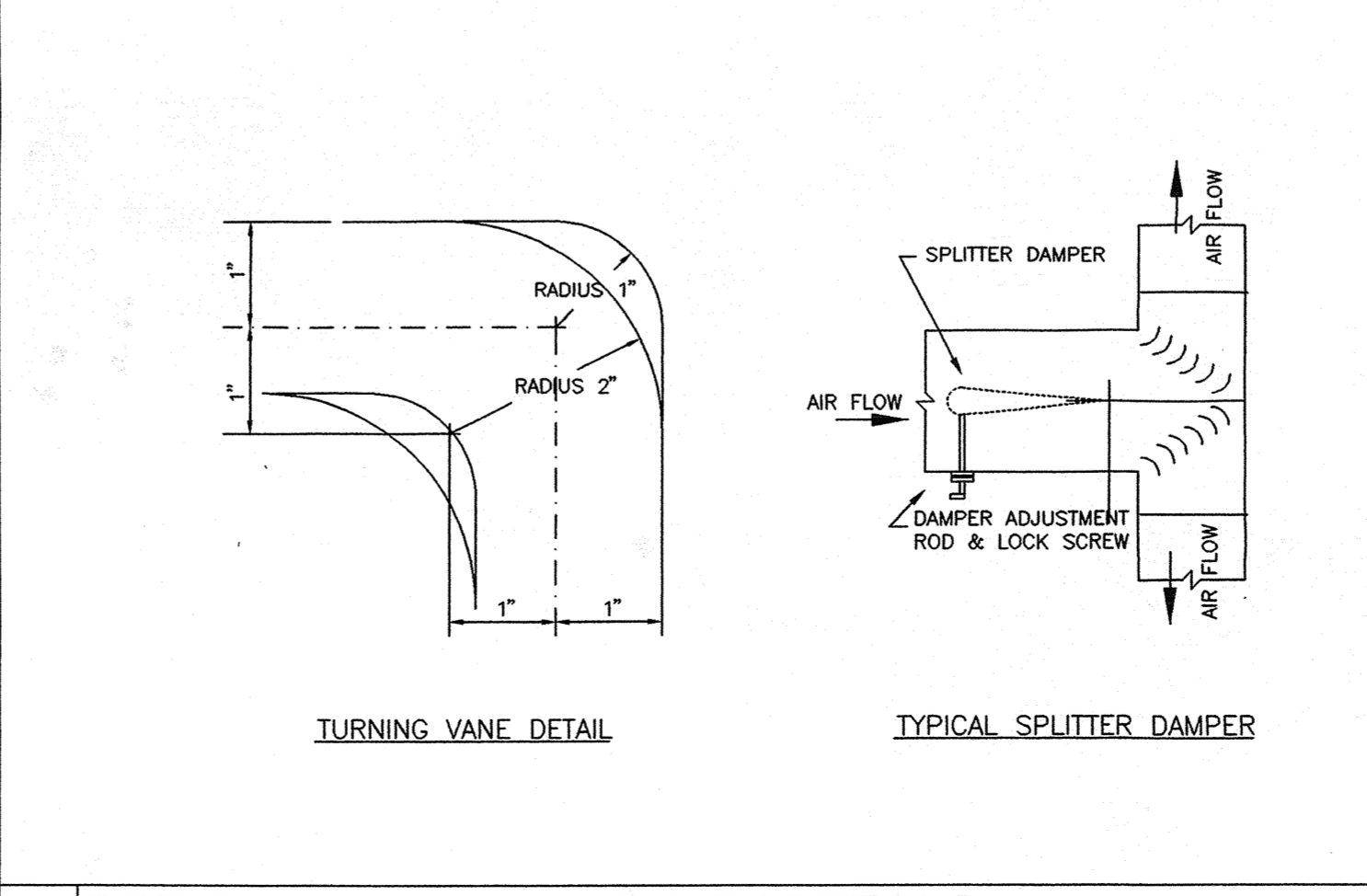
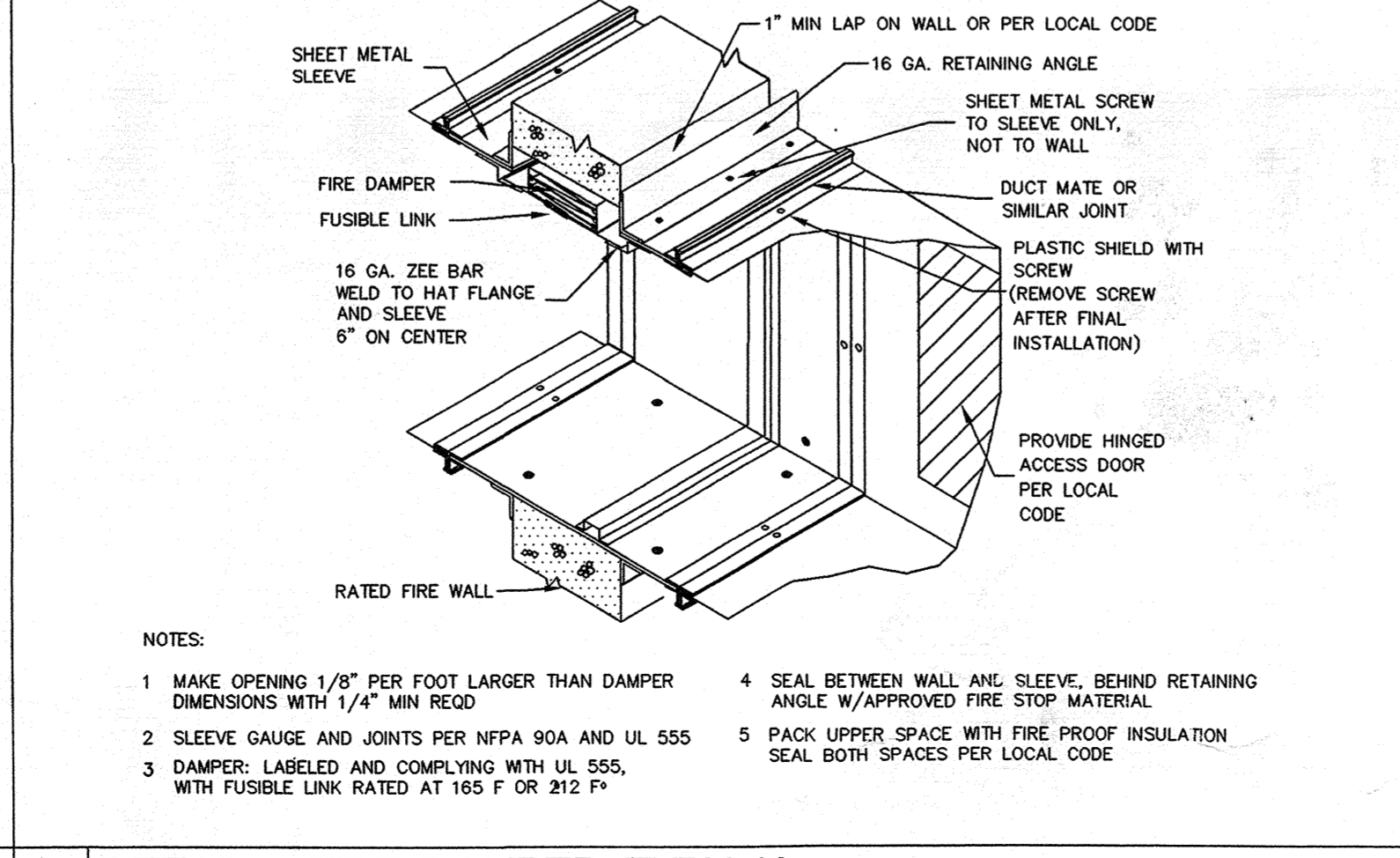
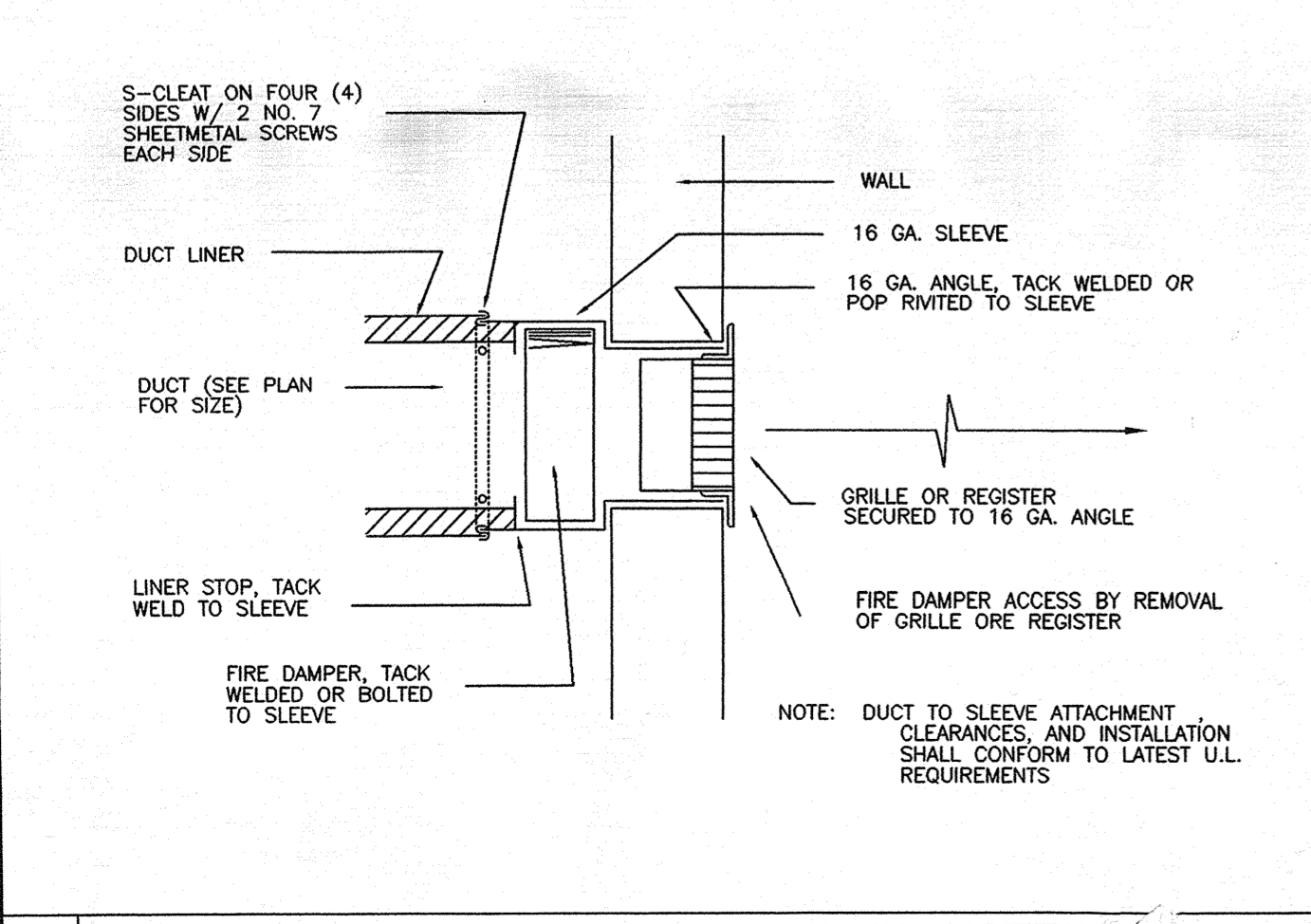


9 DETAIL - GAS FLUE THRU ROOF
NO SCALE

10 DETAIL - HORIZONTAL AIR HANDLING UNIT, TYPICAL
NO SCALE

11 DETAIL - THRU THE WALL A/C UNIT, TYPICAL
NO SCALE

12 DETAIL - RECTANGULAR DUCTWORK SUPPORT
NO SCALE



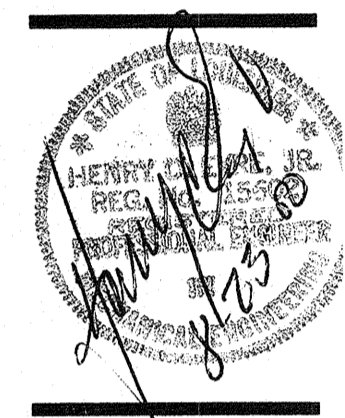
13 DETAIL - FIRE DAMPER AT WALL REGISTER
NO SCALE

14 DETAIL - FIRE DAMPER, TYPICAL
NO SCALE

15 DETAIL - TYPICAL DUCTWORK DETAILS
NO SCALE

15 DETAIL - TYPICAL DUCTWORK DETAILS
NO SCALE

ROY HENDRICK AIA ARCHITECT
 5647 GALERIA DRIVE, SUITE H
 BATON ROUGE, LOUISIANA 70816
 (504)-293-6363



Hampton Inn
 SIX G'S SUBDIVISION
 COVINGTON, LOUISIANA

REVISIONS
 5-14-01
 DATE
 8-23-00
 DRAWN BY
 SHEET