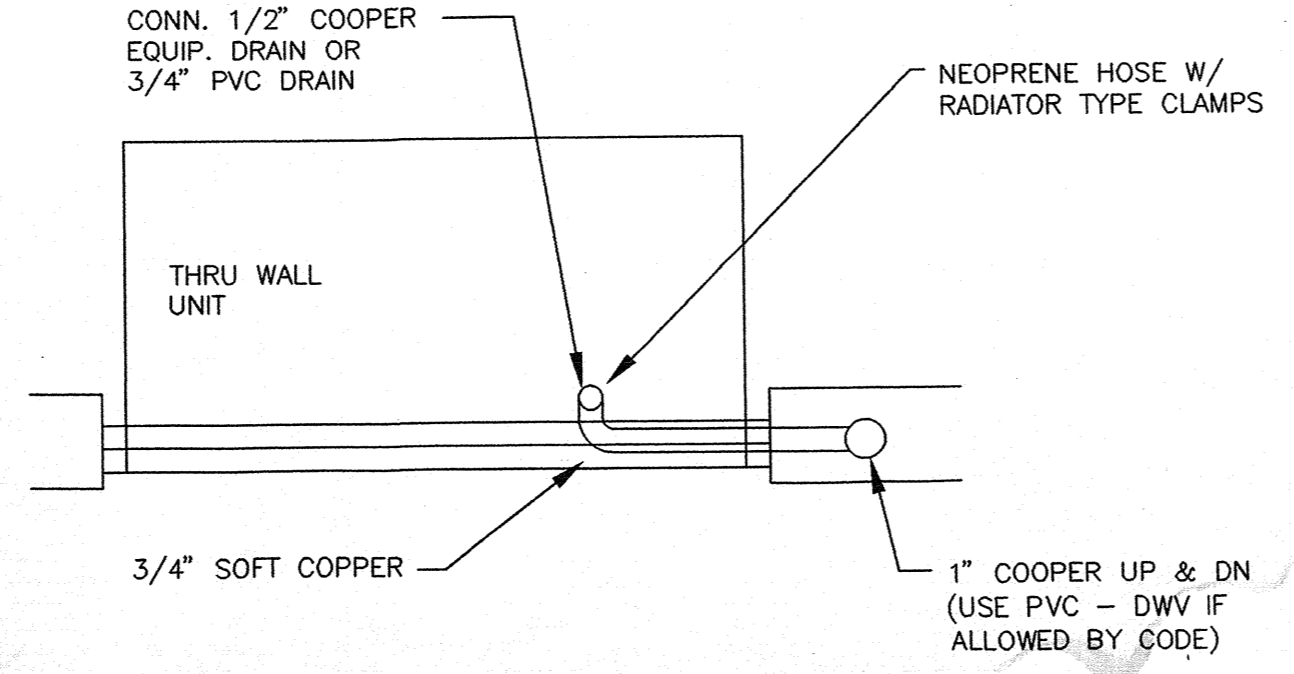
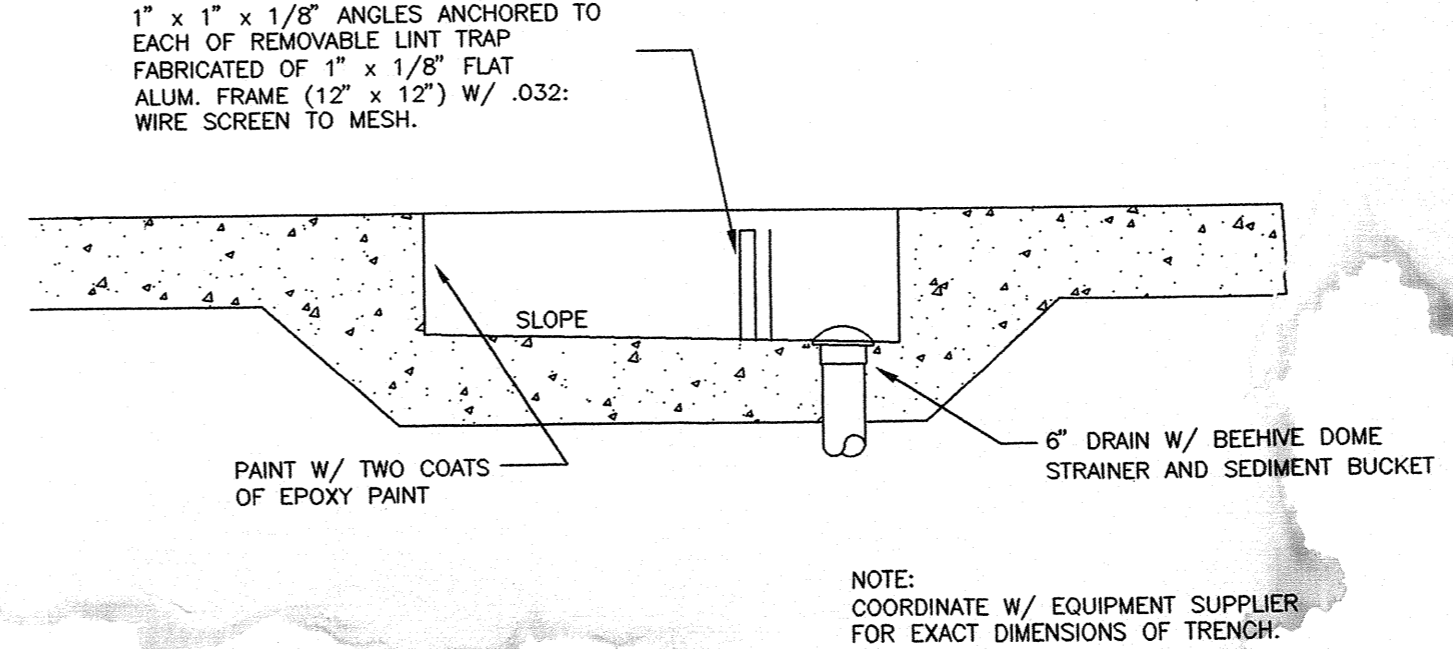


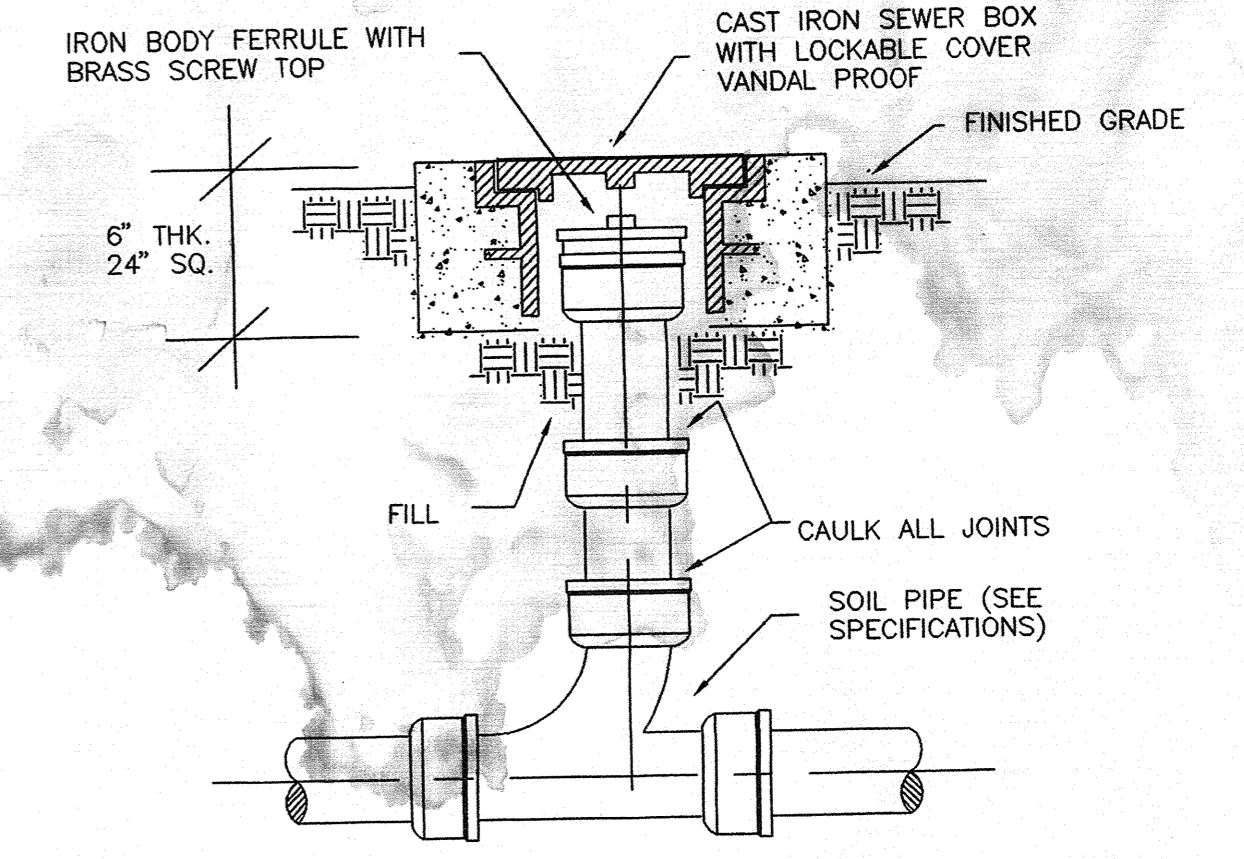
**1 DETAIL - TRAP PRIMER**  
NO SCALE



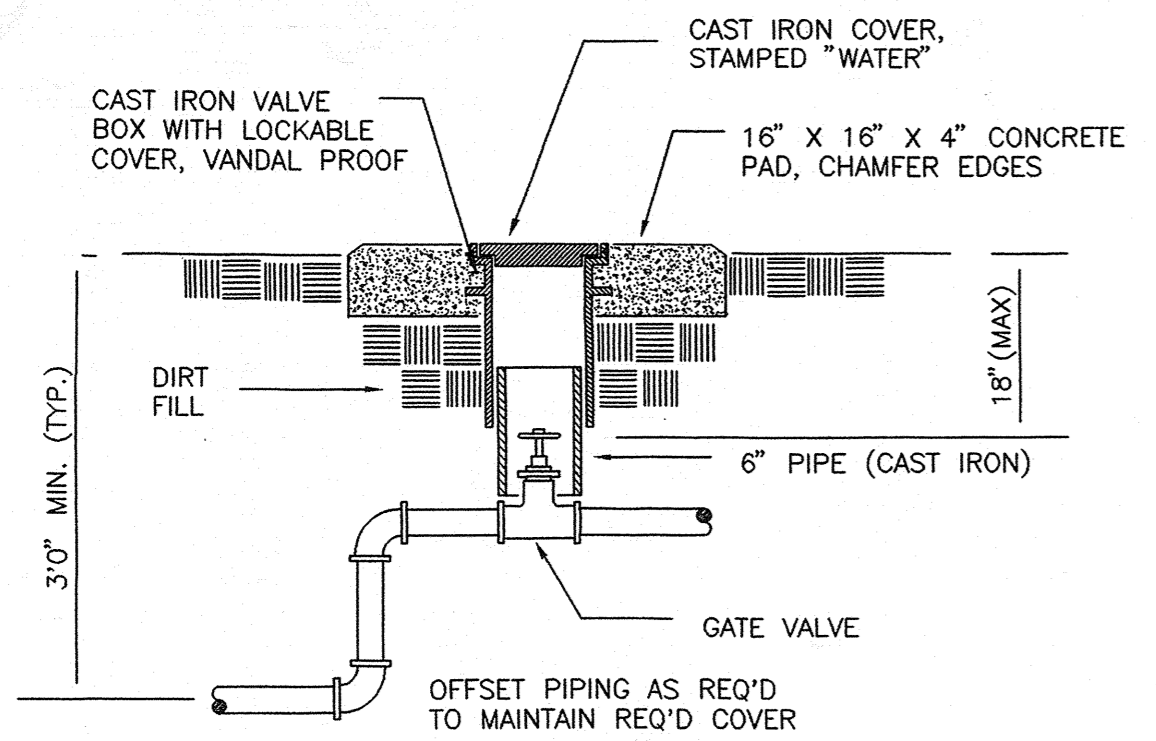
**2 DETAIL - THRU WALL UNIT EMERGENCY OVERFLOW DR.**  
NO SCALE



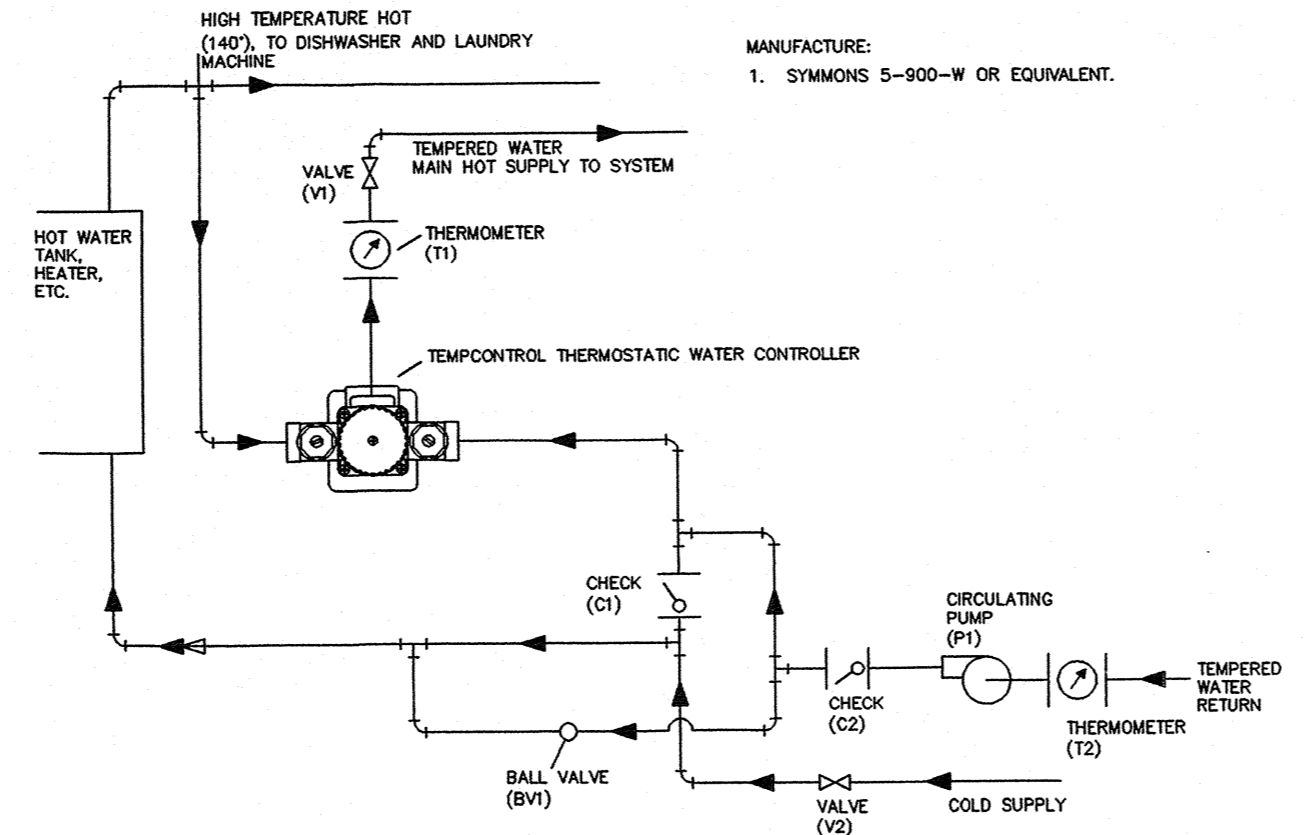
**3 DETAIL - WASHER TRENCH**  
NO SCALE



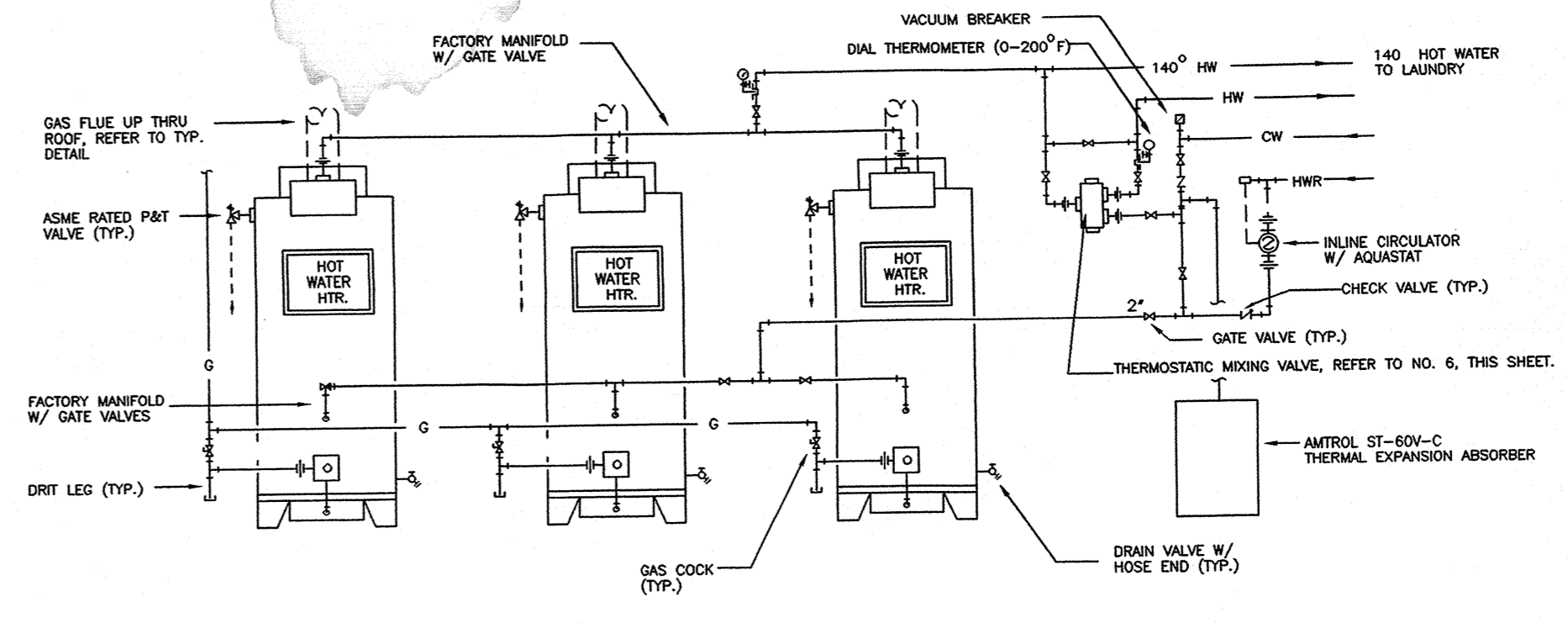
**4 DETAIL - EXTERIOR CLEANOUT**  
NO SCALE



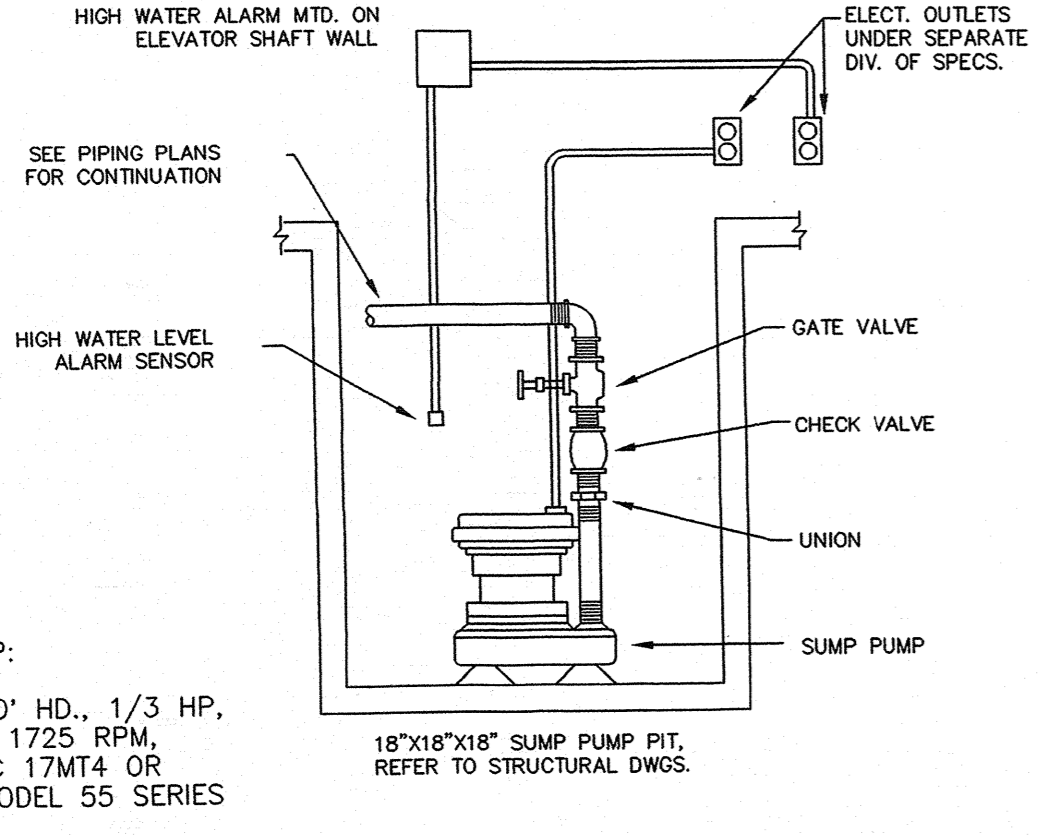
**5 DETAIL - UNDERGROUND WATER SHUT-OFF VALVE**  
NO SCALE



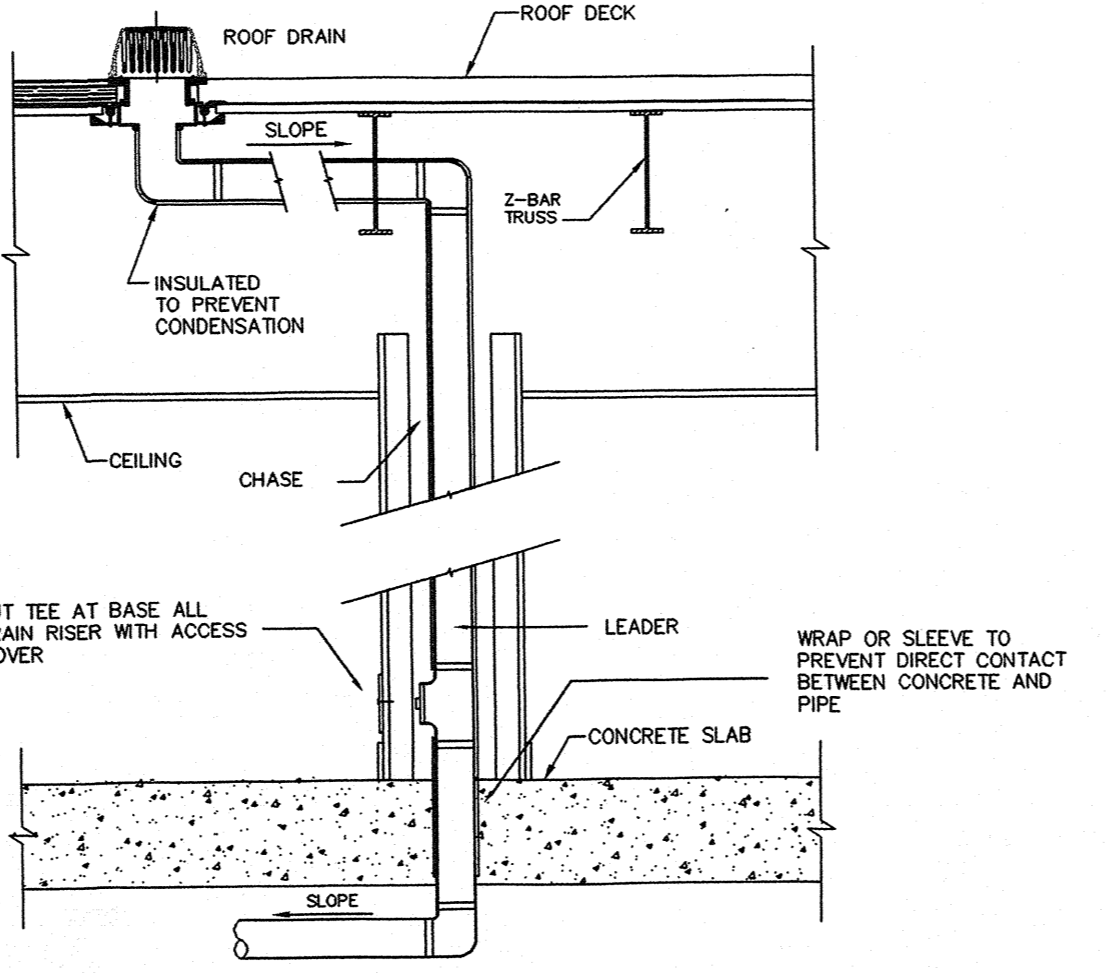
**6 DETAIL - THERMOSTATICALLY CONTROLLED MIXING VALVE**  
NO SCALE



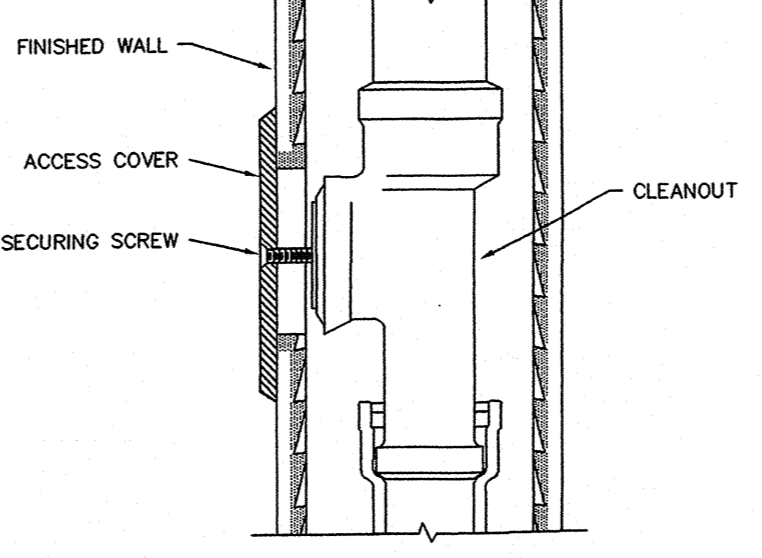
**7 DETAIL - GAS FIRE HOT WATER HEATER(S)**  
NO SCALE



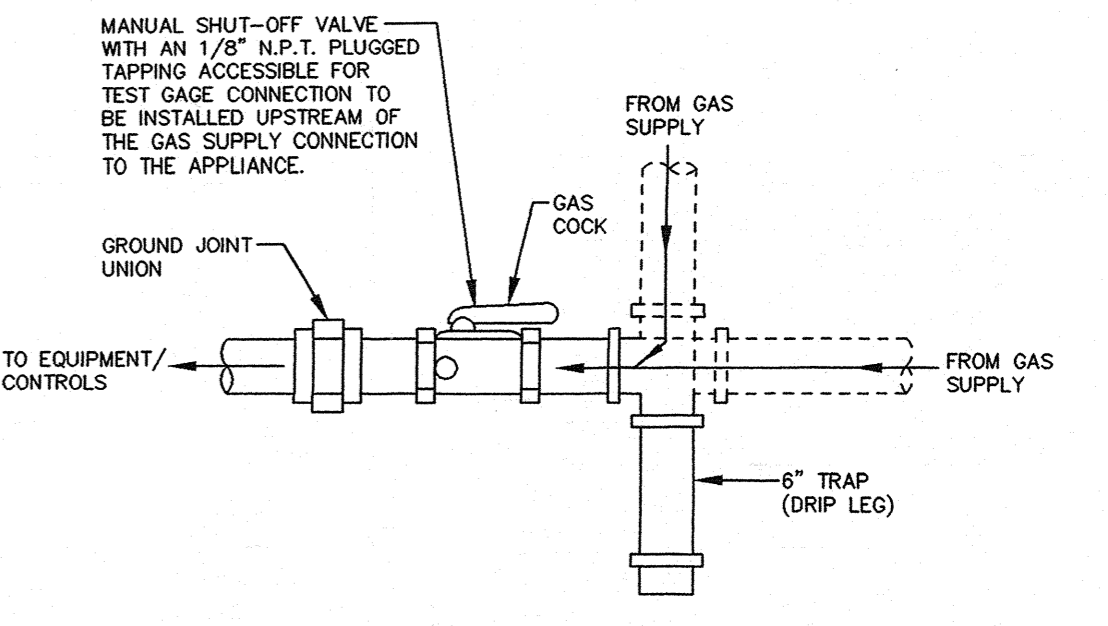
**8 DETAIL - ELEVATOR SUMP PUMP**  
NO SCALE



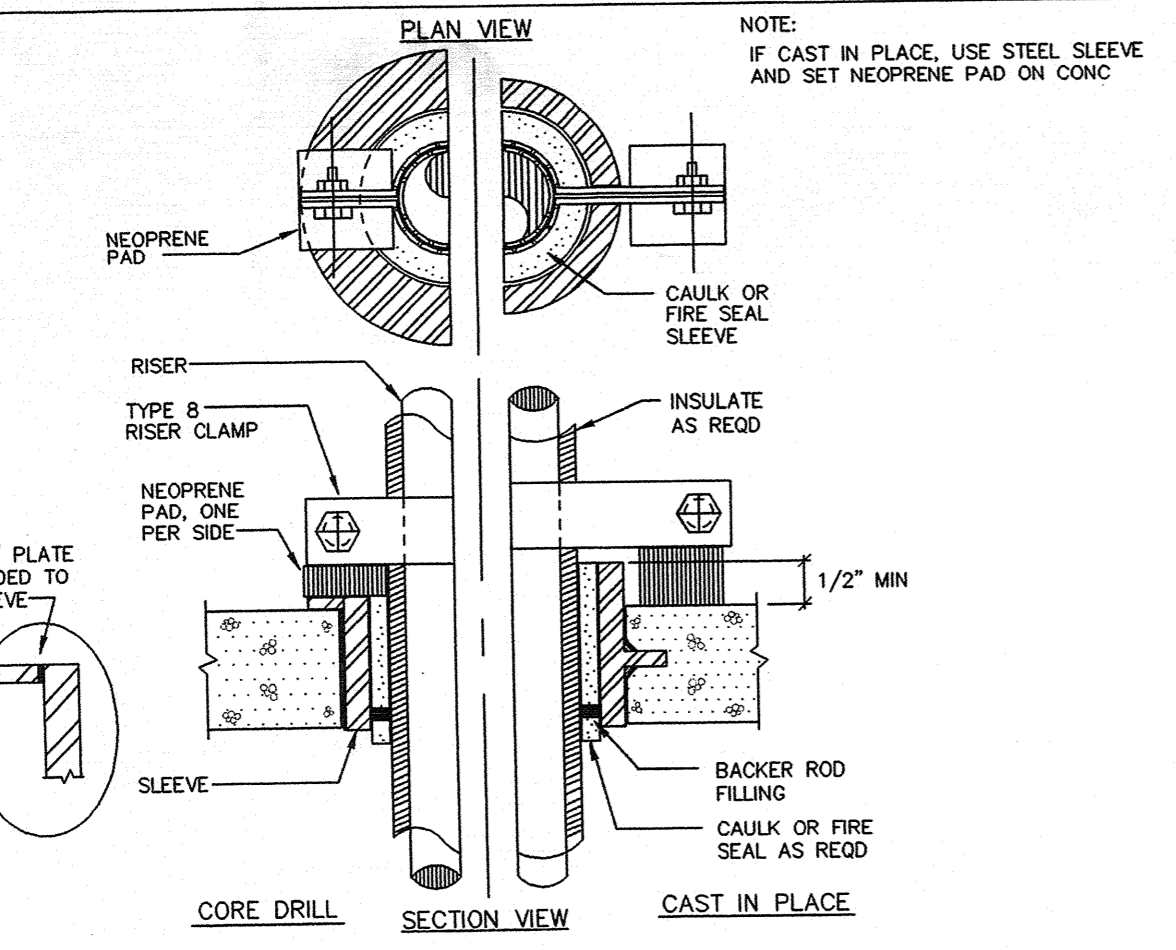
**9 DETAIL - ROOF DRAIN**  
NO SCALE



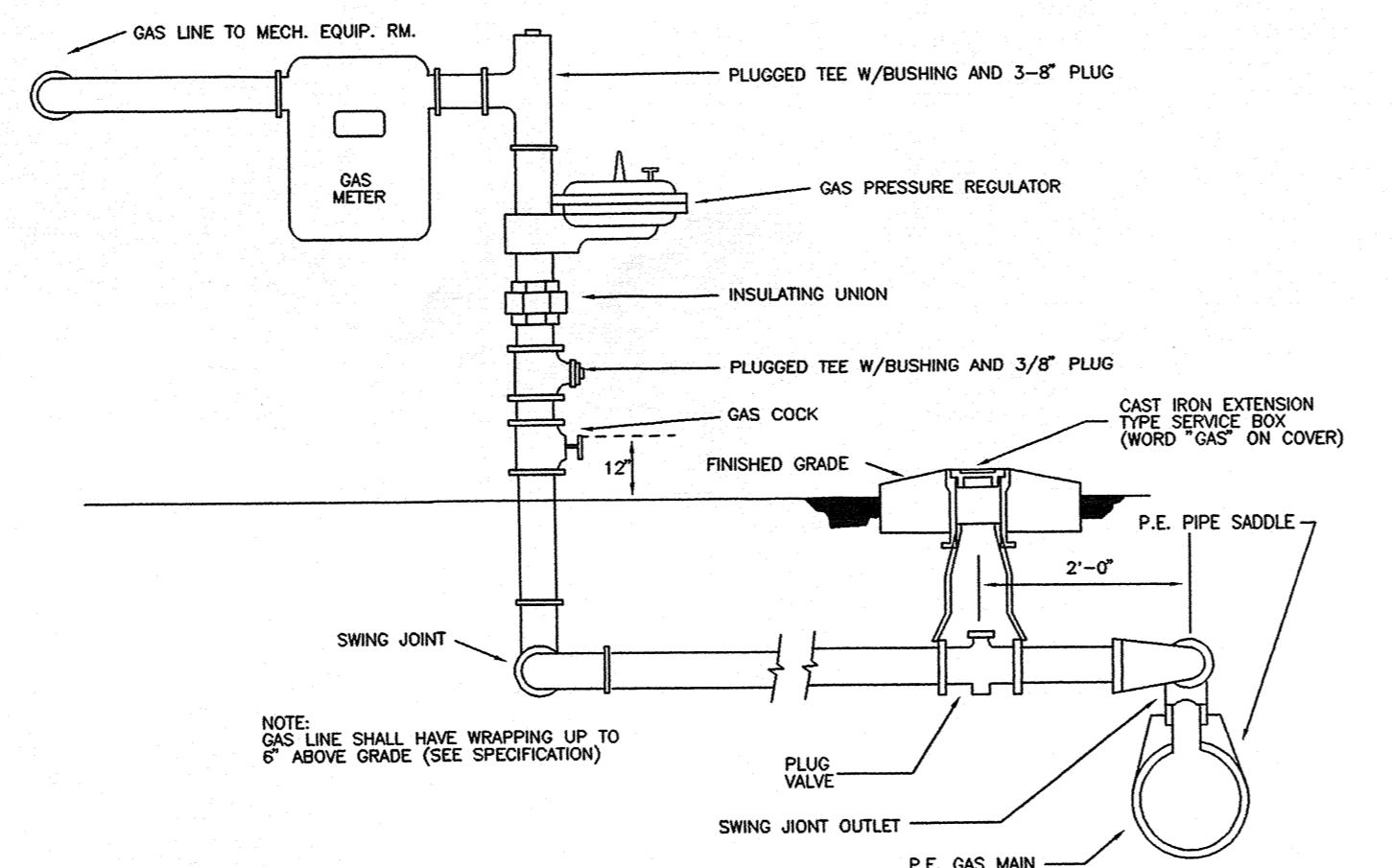
**10 DETAIL - WALL CLEANOUT, TYPICAL**  
NO SCALE



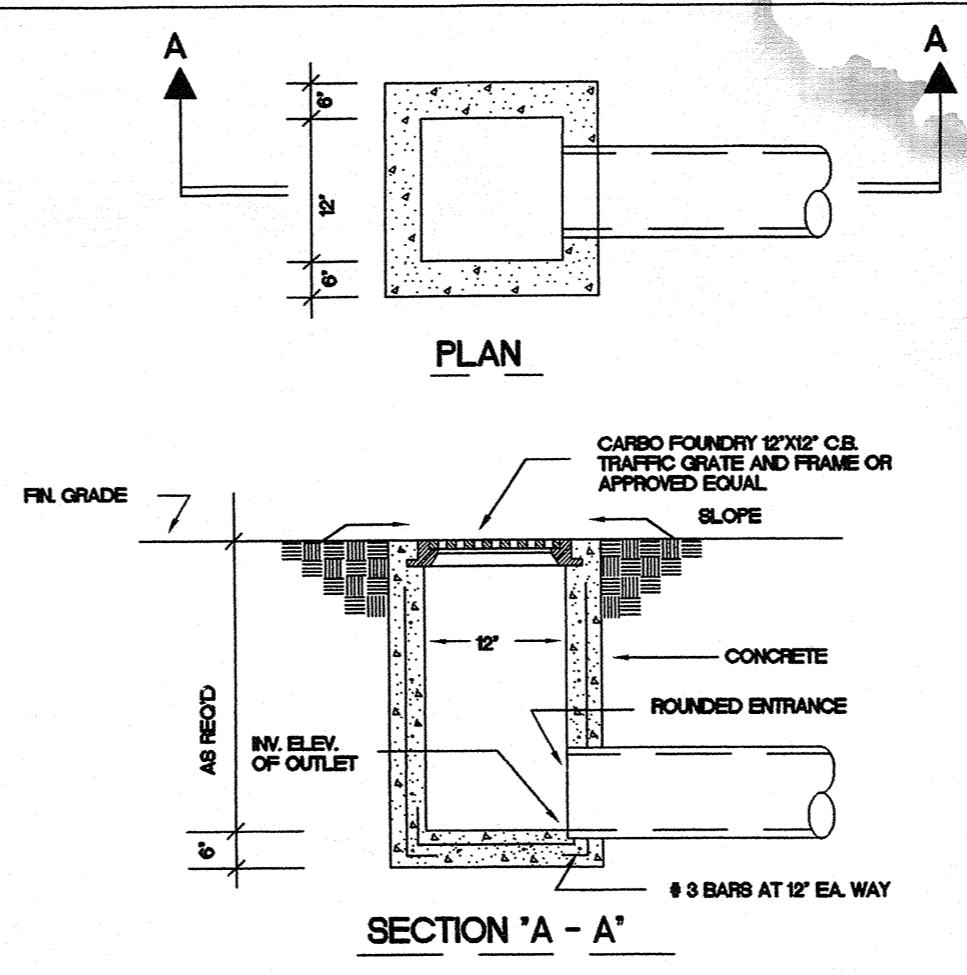
**11 DETAIL - GAS CONNECTION TO EQUIPMENT**  
NO SCALE



**12 DETAIL - PIPE PENETRATION THRU FLOOR**  
NO SCALE



**13 DETAIL - GAS SERVICE CONNECTION**  
NO SCALE



**14 DETAIL - CATCH BASIN, TYPICAL**  
NO SCALE

**15 DETAIL -**  
NO SCALE

ROY HENDRICK AIA A  
5647 GALERIA DRIVE, SU  
BATON ROUGE, LOUISIANA  
(504)-293-6534

HENRY AIA  
12/28/07

Hampton Inc.  
SIX G'S SUBDIVISION  
COVINGTON, LOUISIANA

REVISIONS  
5-14-01  
DATE  
11-01-00  
DRAWN BY  
SHEET