

DAMMON ENGINEERING, INC.

CHIEF ENGINEER
EMMETT
DAMMON, P.E.

CHIEF ARCHITECT
ROBERT
WILTSE

554 OLD SPANISH TRAIL
SLIDELL, LA. 70458
OFFICE: 985-649-5832
FAX: 985-641-5950

WEBSITE:
WWW.DAMMONENGINEERING.COM

EMAIL:
DAMMONENG@BELLSOUTH.NET

- ARCHITECTURE
- ENGINEERING
- STUDIES
- PLANNING
- INVESTIGATION
- EXPERT WITNESS

LA QUINTA INN & SUITES

SPORSTMAN'S PARK
LOT 14
CABELA'S PARKWAY
GONZALES
LOUISIANA

SITE & LANDSCAPING PLAN

Robert Wiltse

REV:

SCALE: AS NOTED

JOB#: 2141

DATE: 07-03-12

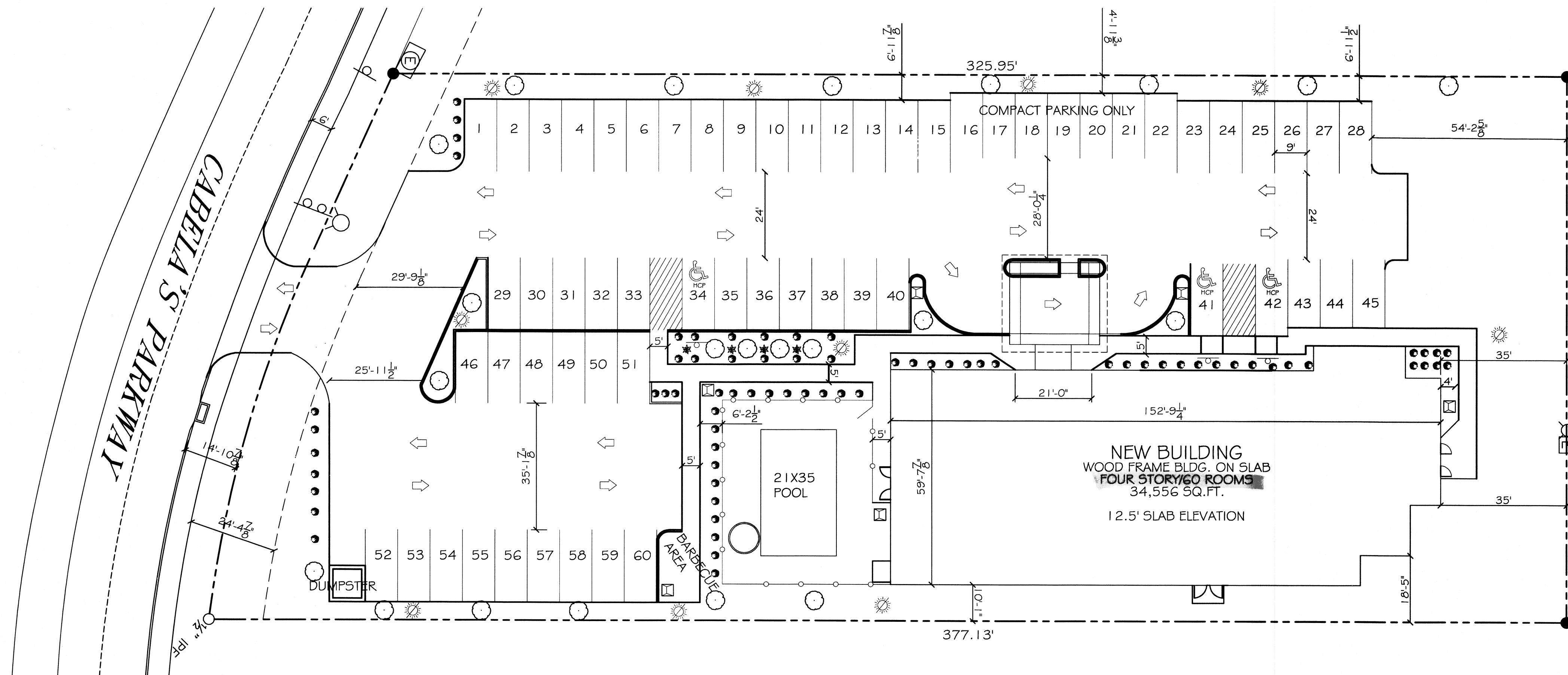
SHEET 2

C-1

OF 36

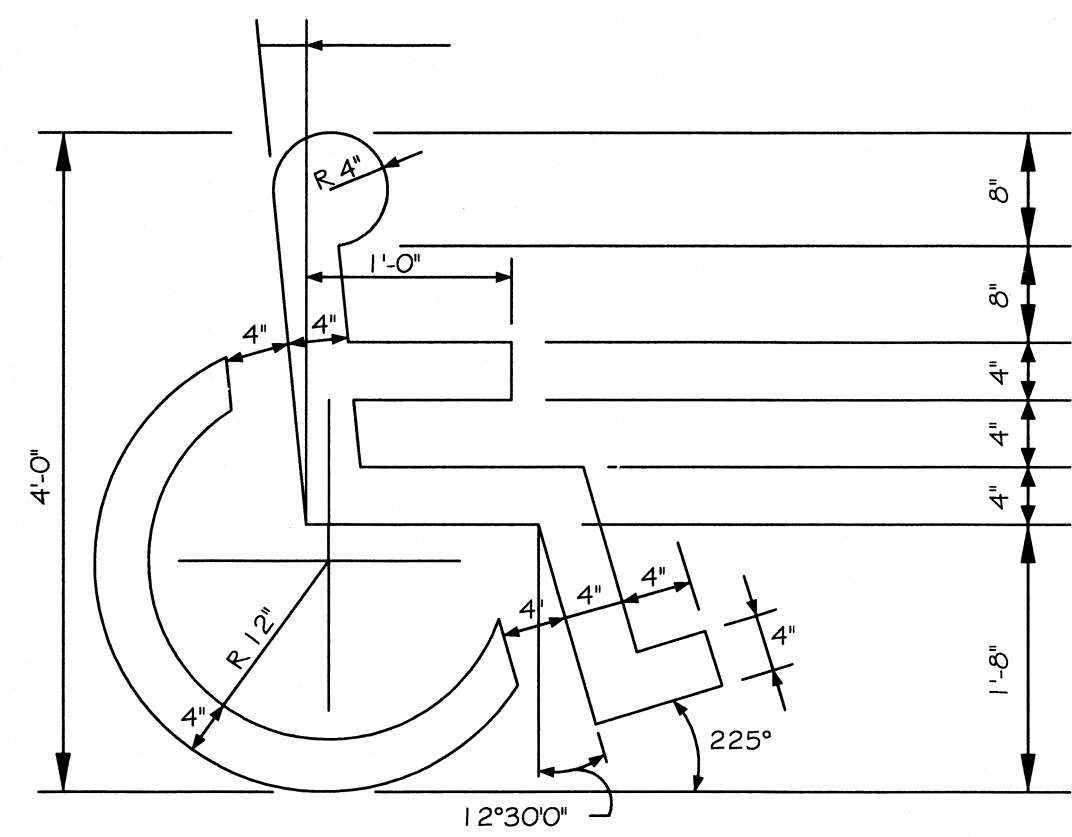
SITE LEGEND

- PROPERTY LINE
- SETBACK LINE
- BUFFER ZONE LINE
- UTIL. EASEMENT LINE
- 6' OPAQUE FENCE
- HANDICAP PARKING
- HANDICAP PARKING SIGN
- LITTER RECEPTACLE
- TRAFFIC ARROW
- SITE LIGHTING

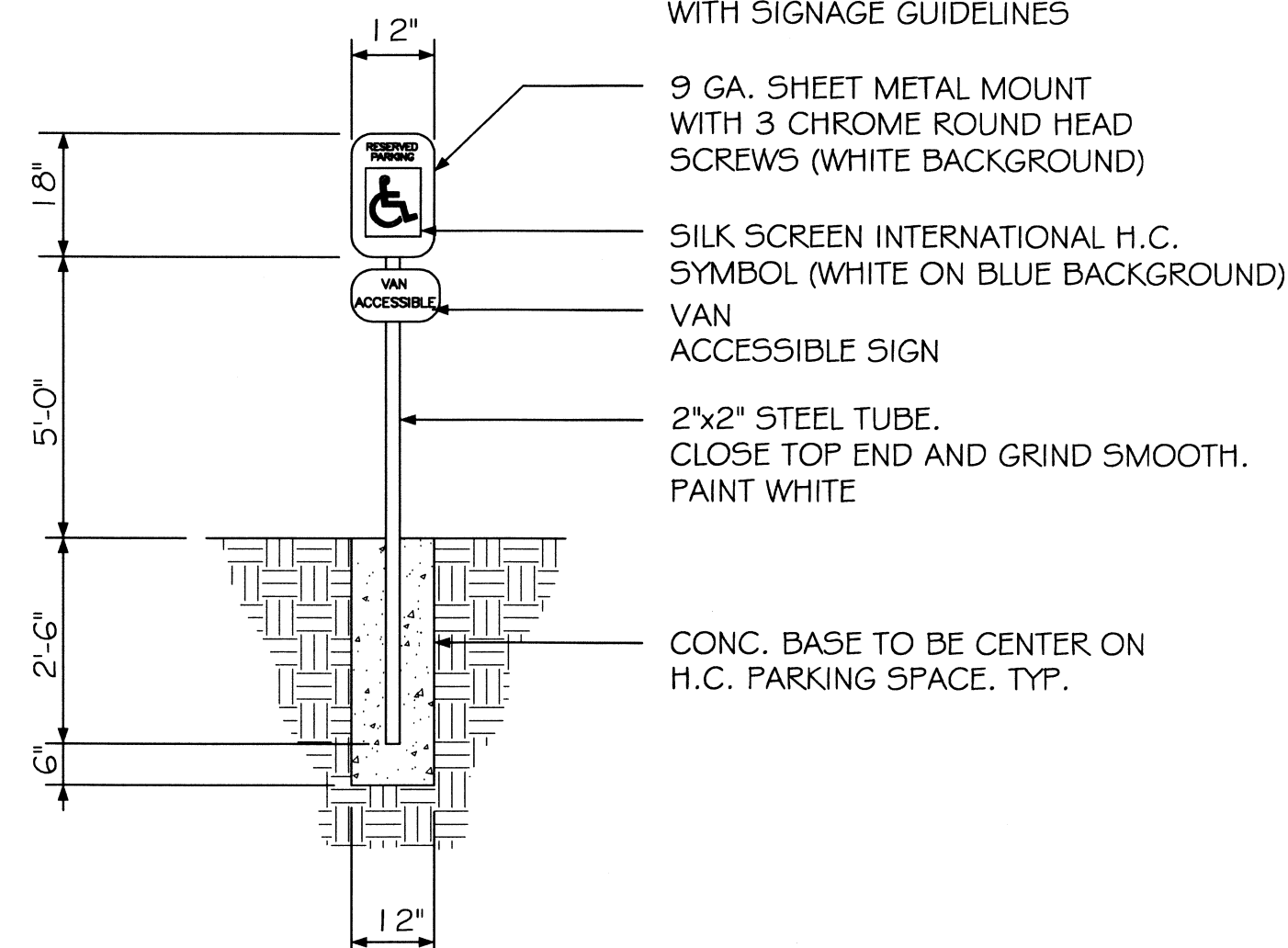


SITE PLAN
SCALE: 1"=20'-0"

NOTE:
SIGNAGE SHALL COMPLY
WITH SIGNAGE GUIDELINES



HANDICAP SYMBOL DETAIL
N. T. S.



HANDICAP PARKING SIGN
N. T. S.

PARKING REQUIREMENTS
 REQUIRED: 1 SPACE PER ROOM
 PROVIDED: 60 SPACES

417528
 REVIEWED FOR
 STATE FIRE MARSHAL
 AS PER REVIEW LETTER
 BY: MARGARET HILL, ARCHITECT
Margaret Hill