

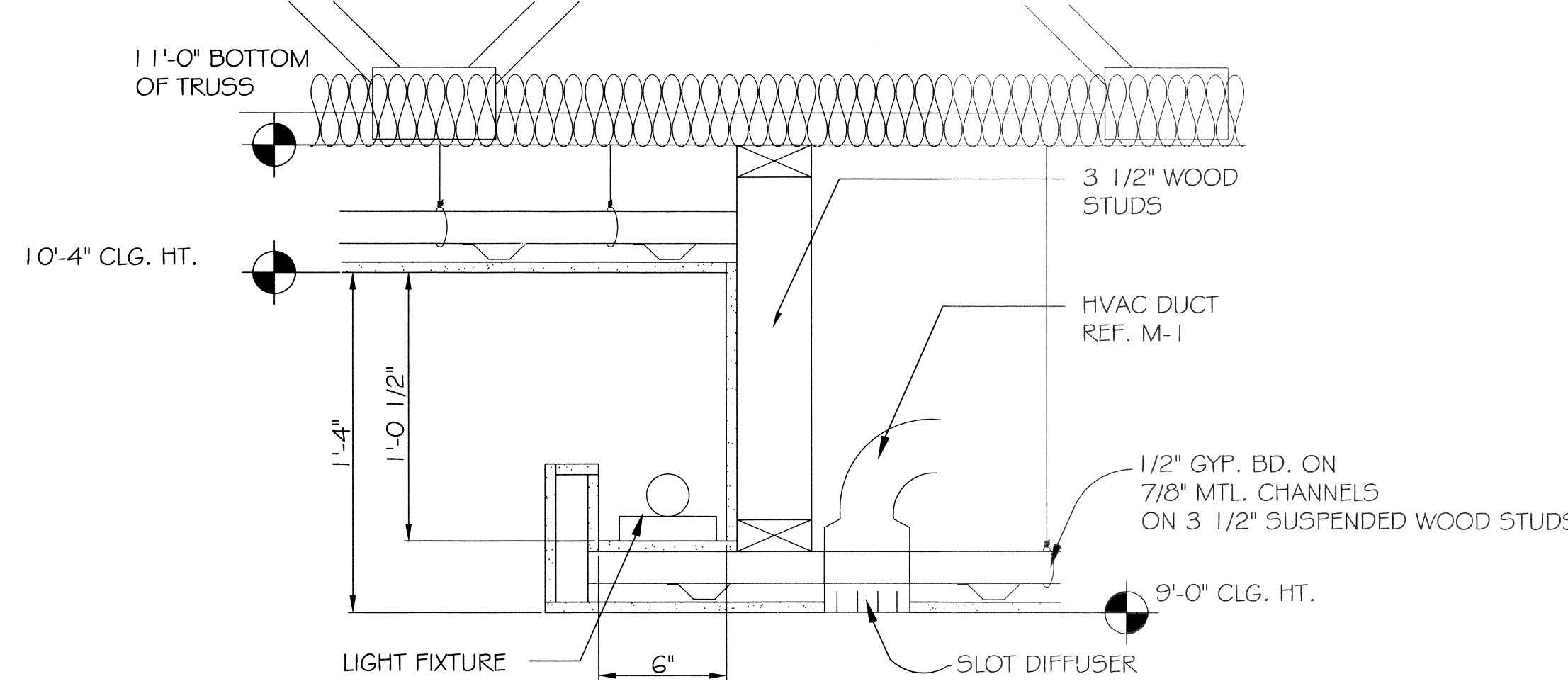
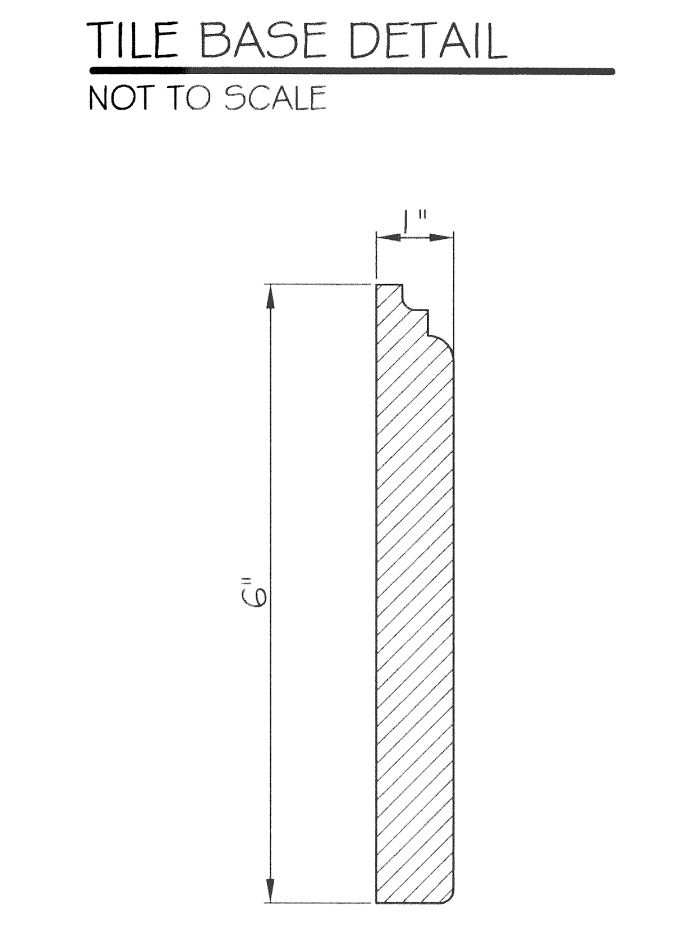
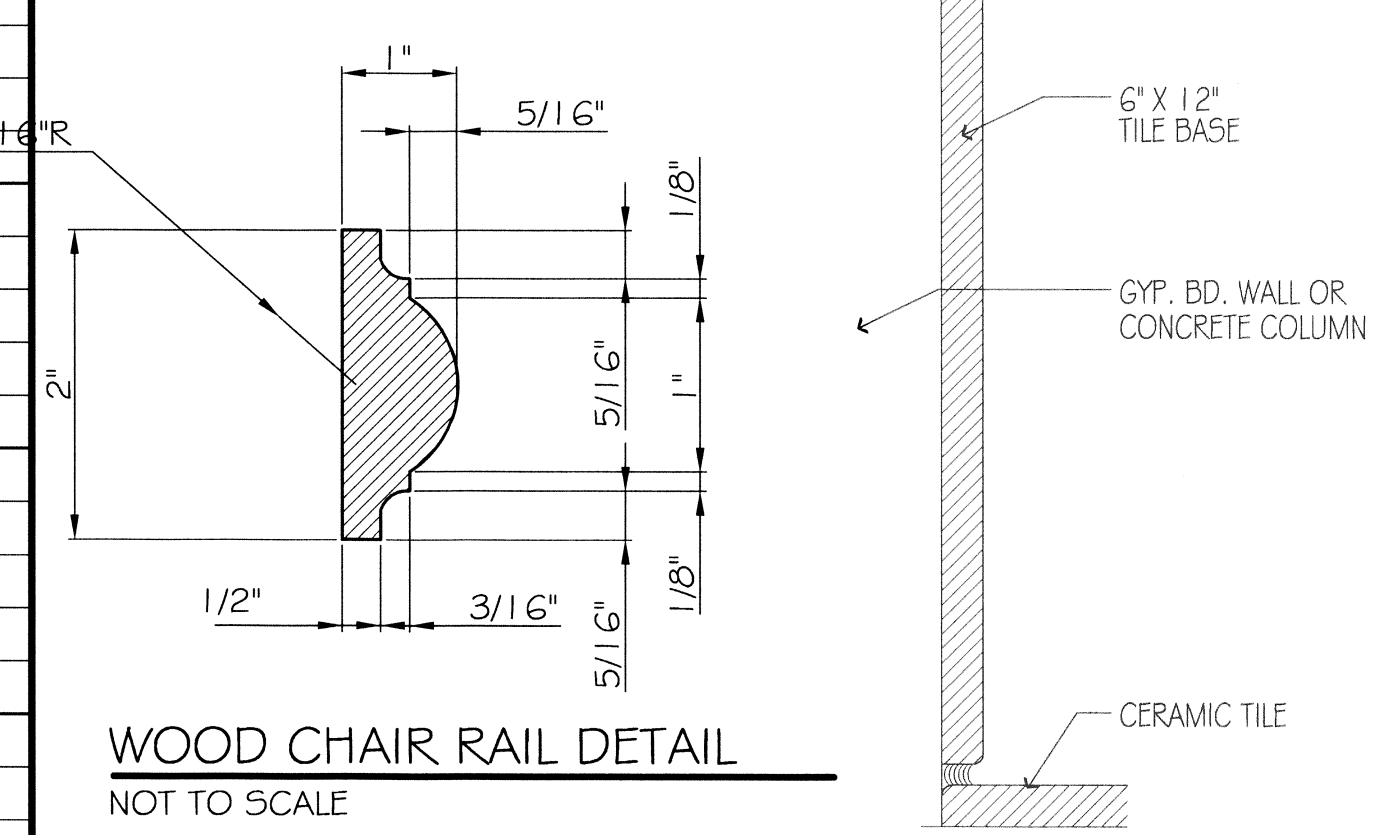
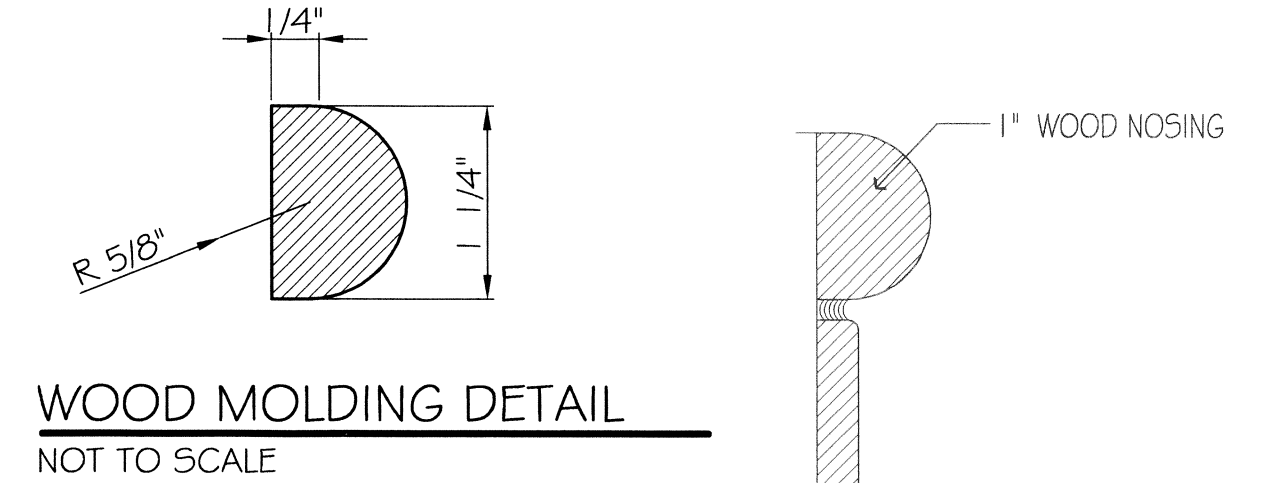
FINISHES

PRODUCT CODE	MANUFACTURER	PRODUCT INFORMATION / #
CP-1	AQUA HOSPITALITY	AVALAR 100% 50 NYLON
CP-1a	HARTEX CONTRACT	SYNTHETIC FIBER 32 OZ.
CPB-1	AQUA HOSPITALITY	AVALAR 100% 50 NYLON
CP-2	DURKAN HOSPITALITY	#5 10946 COLORSHIELD CUT 40
CPB-2	DURKAN HOSPITALITY	7A3 COLORSHIELD
CP-3	DURKAN HOSPITALITY	#5 10842 COLORSHIELD CUT 41
CP-4	DURKAN HOSPITALITY	#5 10842 COLORSHIELD CUT 42
CP-5	DURKAN HOSPITALITY	#5 10842 COLORSHIELD CUT 43
CP-6	DURKAN HOSPITALITY	ENHANCE LOOP GRAPHICS #50041-2167 COLORS: A) A901 B) 6050
CP-6a	SPONGE CUSHION, INC.	TRED MOR 2580
CPB-4	DURKAN HOSPITALITY	#41-22455, 12 WIDE, ACTIONBACK, BECK DYED SOLID, CUT IN 4' BAST
CP-7	DURKAN HOSPITALITY	#5 10844 COLORSHIELD CUT 40
CP-8	DURKAN HOSPITALITY	4 K & G MILLED WINE COLORSHIELD CUT 40
CPB-3	DURKAN HOSPITALITY	4 K & G MILLED WINE COLORSHIELD
CT-10	DALTILE	VERANDA P527 DUNE, 20" x 20"
CTB-2	DALTILE	VERANDA P527 DUNE, 6" x 13"
CT-12	DALTILE	VERANDA P503 2INC, 6-1/2" x 20"
CT-15	DALTILE	FABRIQUE SOUEL LINEN P637, 12" x 24"
CT-16	DALTILE	SEMI-GLOSS ALMOND K165, 3" x 6"
CT-17	DALTILE	SEMI-GLOSS ALMOND S-4263, 2" x 6"
CTB-1	DALTILE	SEMI-GLOSS ALMOND A-3401, 4-1/2" x 4-1/2"
CT-18	DALTILE	VERANDA P527 DUNE, 13" x 13"
CT-19	DALTILE	FABRIQUE SOUEL LINEN P637, 24" x 24"
GT-10	CUSTOM BUILDING PRODUCTS	NEW TAUPE # 185, SANDED
GT-11	CUSTOM BUILDING PRODUCTS	LINEN # 122, NON-SANDED
VT-1	ANTICO	W731E, WILD CHERRY, 6" x 30', GUESTROOM ENTRY AND GUEST BATH AND ELEVATOR CAB
RB-01	JOHNSONITE	130 95AL, ENTRY AND GUEST BATH
VCT-1	ARMSTRONG	51925, SANDY BEACH, 12" x 12"
PC-1	SHERWIN WILLIAMS	SPDKY PAINT GREY
WM-02	JOHNSONITE	SKL, 1 1/31 29-496, 4-1/2"
WM-01	PACIFIC MAT CO.	DARK BROWN QUILL TUFT II
PT-1	SHERWIN WILLIAMS	BMFC-93 CARRINGTON BEIGE, EGGSHELL, SW CUSTOM COLOR, PAINT ON KNOCKDOWN
PT-2	SHERWIN WILLIAMS	BM 01-2091-10, EGGSHELL, SW CUSTOM COLOR, GUESTROOM BAND AT CEILING, PAINT ON KNOCKDOWN
PT-3	SHERWIN WILLIAMS	BM 1-06 WHITE DOVE, FLAT (GUESTROOM), SEMI-GLOSS (BATH), SW CUSTOM COLOR, PAINT ON KNOCKDOWN
PT-4	SHERWIN WILLIAMS	SW G142 MACADAMIA, SEMI-GLOSS, ENTRY DOOR, BATH DOOR, AND FRAME
PT-5	SHERWIN WILLIAMS	SW G120, BELEVABLE BUFF, SEMI-GLOSS, GUEST BATH TOP STRIPE, PAINT ON KNOCKDOWN
PT-6	SHERWIN WILLIAMS	SW G119, ANTIQUE WHITE, SEMI-GLOSS, GUEST BATH BOTTOM STRIPE, PAINT ON KNOCKDOWN
PT-10	SHERWIN WILLIAMS	BM 2152-50, GOLDEN STRAW, EGGSHELL, SW CUSTOM COLOR, PAINT ON KNOCKDOWN
PT-11	SHERWIN WILLIAMS	BM 2152-60, MANZUQUIN CREAM, EGGSHELL, SW CUSTOM COLOR, PAINT ON KNOCKDOWN
PT-12	SHERWIN WILLIAMS	BM 2159-40, AMBER WAVES, EGGSHELL, SW CUSTOM COLOR, BACK WALL OF NICHE, PAINT ON KNOCKDOWN
PT-13	SHERWIN WILLIAMS	BM 2157-20, GOLDEN HARVEST, EGGSHELL, SW CUSTOM COLOR, REGISTRATION DESK, PAINT ON KNOCKDOWN
PT-14	SHERWIN WILLIAMS	BM 2111-30, MUSTANG, SATIN, SW CUSTOM COLOR, LOBBY DOOR AND WINDOW TRIM, COLUMN, BASE AND CROWN
PT-15	SHERWIN WILLIAMS	BM 2109, MUSTANG, SEMI-GLOSS, SW CUSTOM COLOR, CORRIDOR AND ELEVATOR DOOR TRIM
PT-16	SHERWIN WILLIAMS	BM 2020-50, MELLOW YELLOW, EGGSHELL, SW CUSTOM COLOR, PAINT ON KNOCKDOWN
PT-17	SHERWIN WILLIAMS	BM 2161-30, DARK MUSTARD, SEMI-GLOSS, SW CUSTOM COLOR, ALL DOORS
PT-19	SHERWIN WILLIAMS	BROOM BEIGE, FLAT, SW CUSTOM COLOR, PAINT ON KNOCKDOWN, NICHE SURROUNDS - VERTICAL BROOM FINISH NEUTRAL COLORED "DUROPLEX" (OR "MOM" OR EQUAL TEXTURED, THROUGH COLOR, ACRYLIC COATING FINISH)
WC-1	MDC	CUSTOM MDC BETA 5929
WC-2	MDC	CUSTOM MDC 5452
WC-3	MDC	CUSTOM MDC DELTA 0006
WC-4	MAHARAM	PRSM 338920, AMBER 006
FL-1	WILSONART	CASTLE OAK, 7928-36, MATTE, REGISTRATION DESK AND NICHE
FL-2	FORMICA VENEZ	#WB455 INDIAN TROPY, WAX, SHELVES
CG-10	IPC	WHEAT FIELD #0285
TS-01	JOHNSONITE	EG-47M, BROWN, 2-1/8" W
ST-10	DALTILE	GOLDEN LEAF G293, POLISHED, FRONT DESK, BREAKFAST AREA, AND PUBLIC RESTROOM VANITY
ACT-01	ARMSTRONG	REGULAR GRID WITH RESSURED CEILING TILE, 2' x 2'

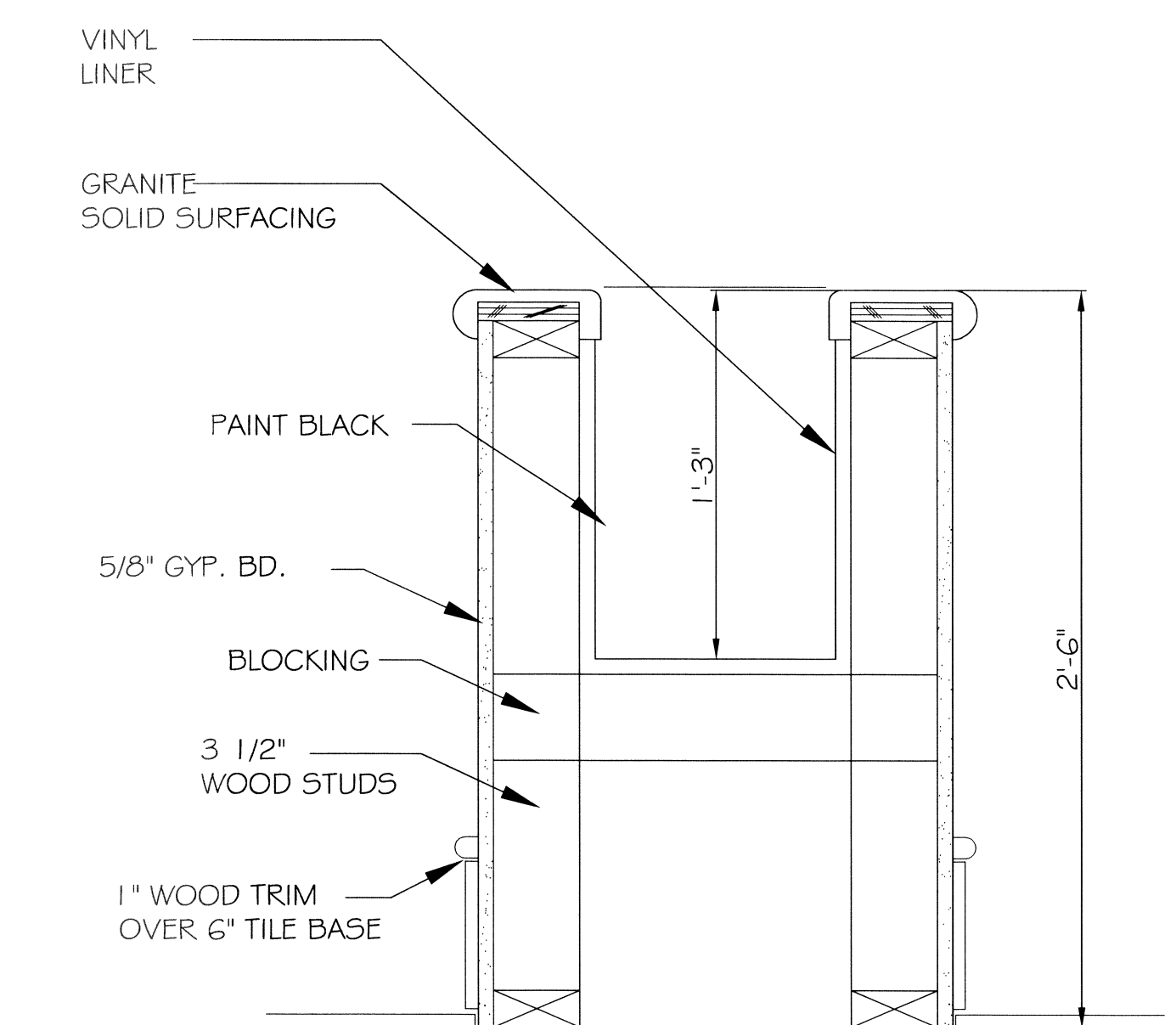
ROOM FINISH SCHEDULE

ROOM NAME	FLOOR	BASE	WALL	CEILING	DOORS / FRAMES	MILLWORK	REMARKS
STANDARD GUESTROOM	CP-1 / CP-1a / VT-1	CPB-1 / RB-1	PT-1 / PT-1	PT-3	PT-4		
ACCESSIBLE GUESTROOM	CP-1 / VT-1	CPB-1 / RB-1	PT-1 / PT-1	PT-3	PT-4		
GUESTROOM BATH	VT-1	RB-01	PT-5 / PT-6	PT-3	PT-4		
ENTRY VESTIBULE	CT-10 / WM-01	CTB-2	PT-10	PT-11	PT-17 / PT-14		
LUGGAGE CARTS	CT-10	CTB-2	PT-10	PT-11	PT-17 / PT-14		
LUGGAGE	CT-10	CTB-2	PT-10	PT-11	PT-17 / PT-14		
LOBBY	CT-10 / CT-12 / CT-19	CTB-2	PT-10	PT-11	PT-17 / PT-14		
REGISTRATION DESK	CT-10 / CP-6 / CP-6a	CTB-2	PT-13	PT-11	PT-17 / PT-15	A803 / A804	SEE DRAWINGS
WORKROOM	CP-6 / CP-6a	CPB-4	PT-10	ACT-01	PT-17 / PT-14		
GENERAL MANAGER	CP-6 / CP-6a	CPB-4	PT-10	ACT-01	PT-17 / PT-15		
SALES OFFICE	CP-6 / CP-6a	CPB-4	PT-10	ACT-01	PT-17 / PT-15		
TELEPHONE / VIDEO	PC-1	VB-2	PT-10	ACT-01	PT-17 / PT-15		
BREAK ROOM	VCT-1	VB-2	PT-10	ACT-01	PT-17 / PT-15		
LINEN	PC-1	VB-2	PT-10	PT-11	PT-17 / PT-15		
LAUNDRY	PC-1	VB-2	PT-10	PT-11	PT-17 / PT-15		
EMPLOYEE TOILET	PC-1	VB-2	PT-10	PT-11	PT-17 / PT-15		
ELEVATOR EQUIP.	PC-1	VB-2	PT-10	PT-11	PT-17 / PT-15		
SUNDRY SHOP	CT-10	CTB-2	PT-10	PT-11			
BUSINESS CENTER	CT-10	CTB-2	PT-10	PT-11	PT-17 / PT-14		
FITNESS ROOM	CP-6 / CP-6a	CPB-4	PT-16 / WC-3	ACT-01	PT-17 / PT-15		
GUEST LAUNDRY - 4th FLR.	CT-10	CTB-2	WC-2	PT-11	PT-17 / PT-15		
MECHANICAL / ELECTRICAL	PC-1	VB-02	PT-10	PT-11	PT-17 / PT-15		
MEN'S RESTROOM	CT-10	CTB-1	WC-04 / CT-15 / CT-16 / CT-17	PT-11	PT-17 / PT-15	A413	SEE DRAWINGS
WOMEN'S RESTROOM	CT-10	CTB-1	WC-04 / CT-15 / CT-16 / CT-17	PT-11	PT-17 / PT-15	A413	SEE DRAWINGS
MEETING ROOM	CP-7 / CP-8	CPB-3	WC-1	PT-11	PT-17 / PT-17		
BREAKFAST AREA	CP-6 / CP-6a / CT-10	CPB-4 / CTB-2	PT-10	PT-11	PT-17 / PT-15	A805 / A806	SEE DRAWINGS
PANTRY	CT-18	CTB-2	PT-10	ACT-01	PT-17 / PT-14		
JANITOR	CT-18	CTB-2	PT-10	PT-11	PT-17 / PT-15		
CORRIDOR	CP-2 / CP-3 / CP-4 / CP-5	CPB-2	WC-2	PT-11 / ACT-01	PT-17 / PT-17		
STAIR #1 (LOBBY)	CP-1	CPB-1	PT-10	PT-11	PT-17 / PT-15		
STAIR #2 (GUEST CORR.)	CP-1	CPB-1	PT-10	PT-11	PT-17 / PT-15		
VENDING	CT-10	CTB-10	WC-2	PT-11	PT-17 / PT-15		
2nd, 3rd & 4th FLOORS LINEN	PC-1	VB-02	PT-10	PT-11	PT-17 / PT-15		
2nd, 3rd & 4th FLOORS CORRIDOR	CP-2 / CP-3 / CP-4 / CP-5	CPB-2	WC-2	PT-11 / ACT-01	PT-17 / PT-17		
2nd, 3rd & 4th FLOORS ELEVATOR CABS	VT-1				PT-15		

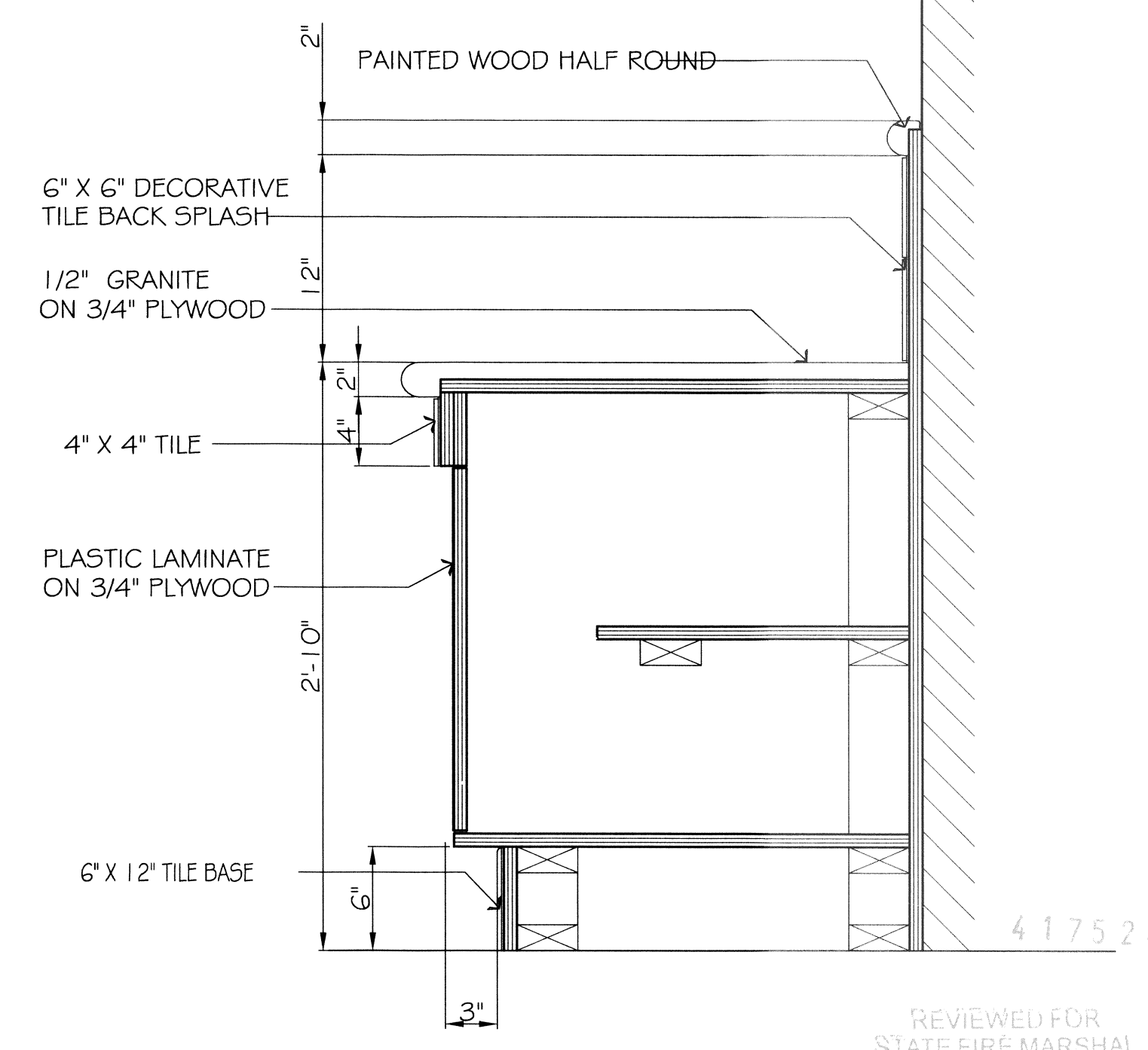
THE SYMBOL * * * INDICATES ROOMS TO RECEIVE ROOM IDENTIFICATION SIGNAGE OUTSIDE EACH DOOR TO ROOM. MOUNT SIGN @ 60" A.F.F. AND 6" FROM OUTSIDE EDGE OF DOOR FRAME.



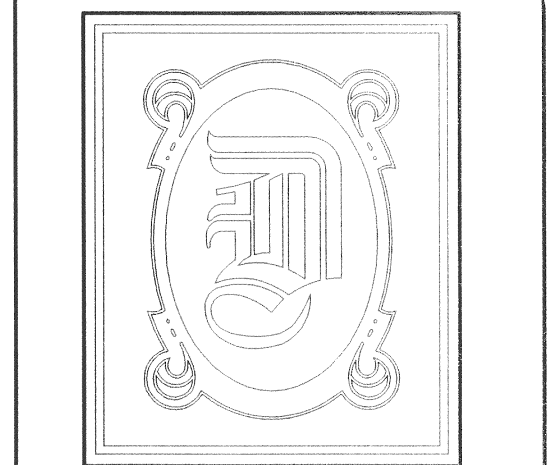
COVE LIGHT DETAIL NOT TO SCALE



PLANTER SECTION NOT TO SCALE



BUFFET SECTION NOT TO SCALE



DAMMON ENGINEERING, INC.

CHIEF ENGINEER
EMMETT DAMMON, P.E.
CHIEF ARCHITECT
ROBERT WILTSE
1095 FLORIDA AVENUE
SLIDELL, LA. 70458
OFFICE: 985-649-5832
FAX: 985-641-5950
WEBSITE:
WWW.DAMMONENGINEERING.COM
EMAIL:
DAMMONENG@BELLSOUTH.NET

ARCHITECTURE
ENGINEERING
STUDIES
PLANNING
INVESTIGATION
EXPERT WITNESS

LA QUINTA
INN & SUITES

SPORTSMAN PARK
LOT 14
CABLEA'S PARKWAY
GONZALES
LOUISIANA

FINISH
SCHEDULE

REV: Robert Wiltse

SCALE: AS NOTED
JOB#: 2141
DATE: 07-03-12
SHEET 17

A-12
OF 36

REVIEWED FOR
STATE FIRE MARSHAL
43 PER REVIEW LETTER
MARGARET HILL ARCHITECT
M. Hill