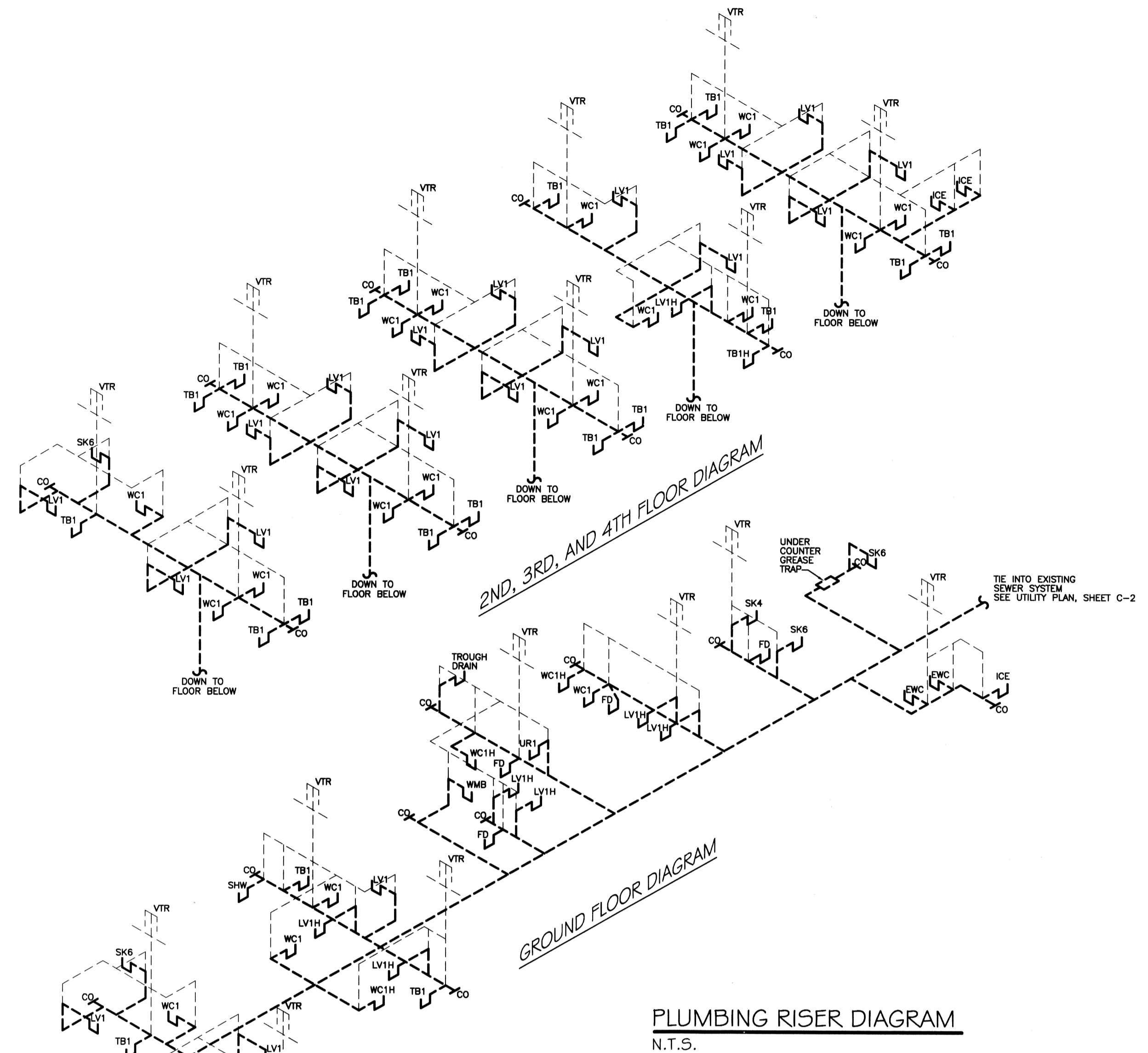
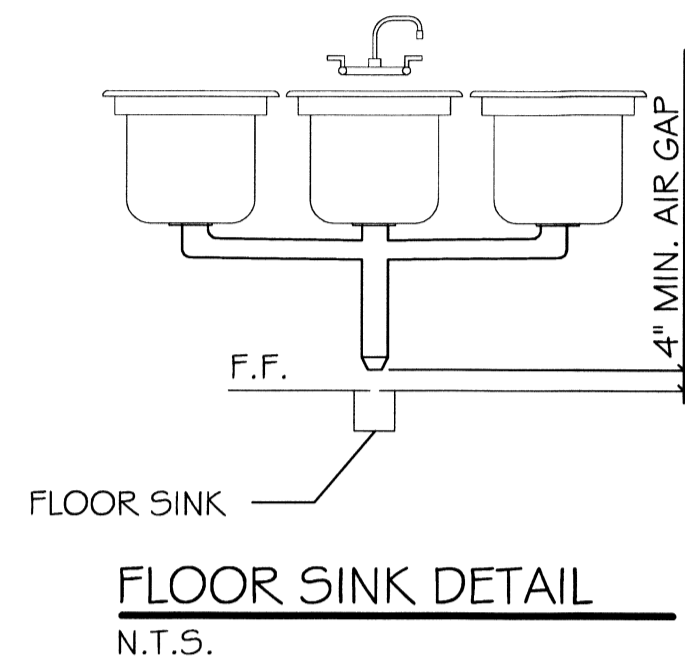
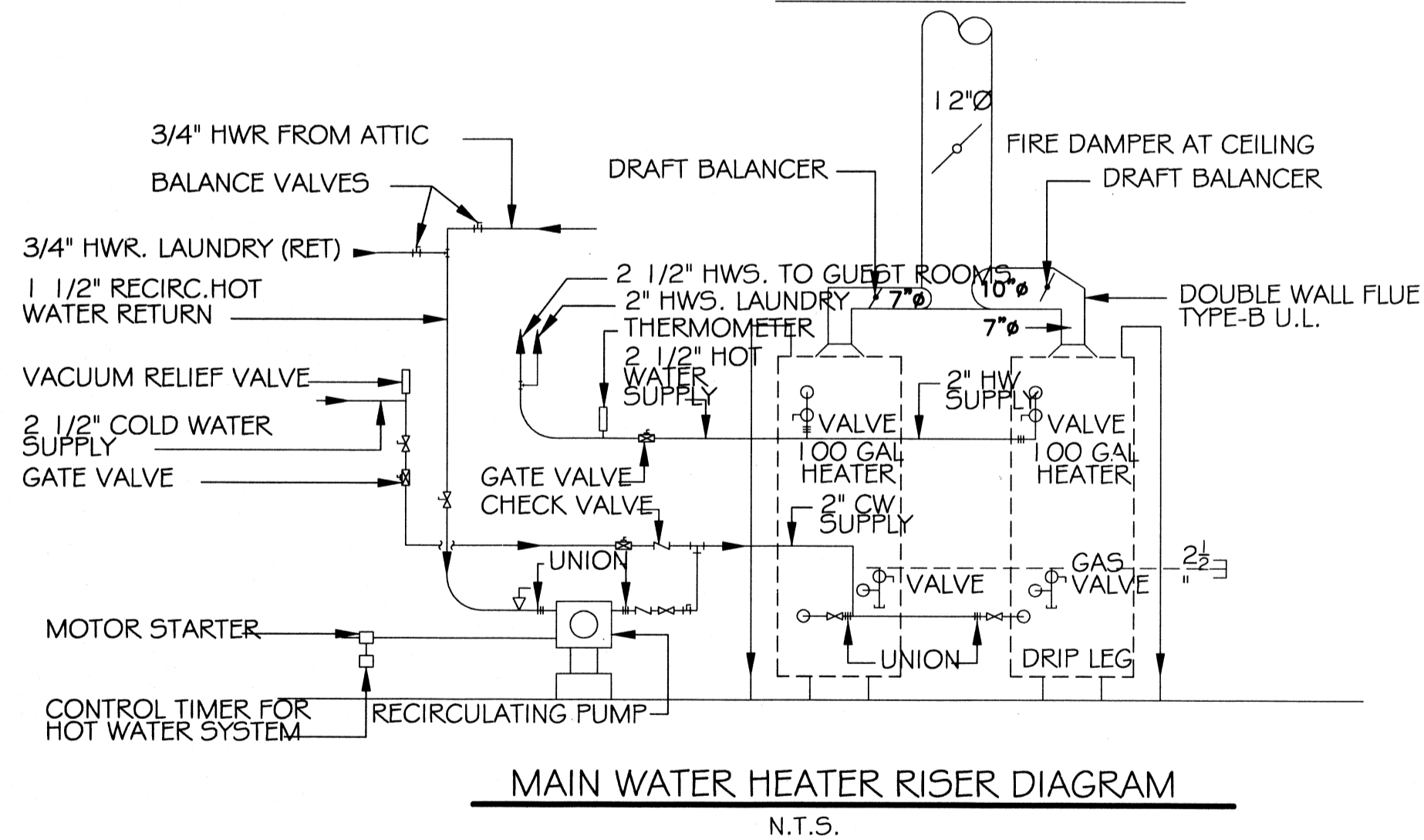


**SPRINKLER SYSTEM NOTES:**

1. SPRINKLER SYSTEM CONTRACTOR SHALL BE LICENSED IN STATE OF LOUISIANA.
2. SPRINKLER SYSTEM DESIGN SHALL INCLUDE ATTIC AREAS. COORDINATE WITH ELECTRICAL CONTRACTOR TO PROVIDE HEAT FOR ATTIC TO PREVENT ATTIC TEMPERATURE FROM DROPPING BELOW 40° F WHEN OUTSIDE TEMPERATURE IS 20° F.

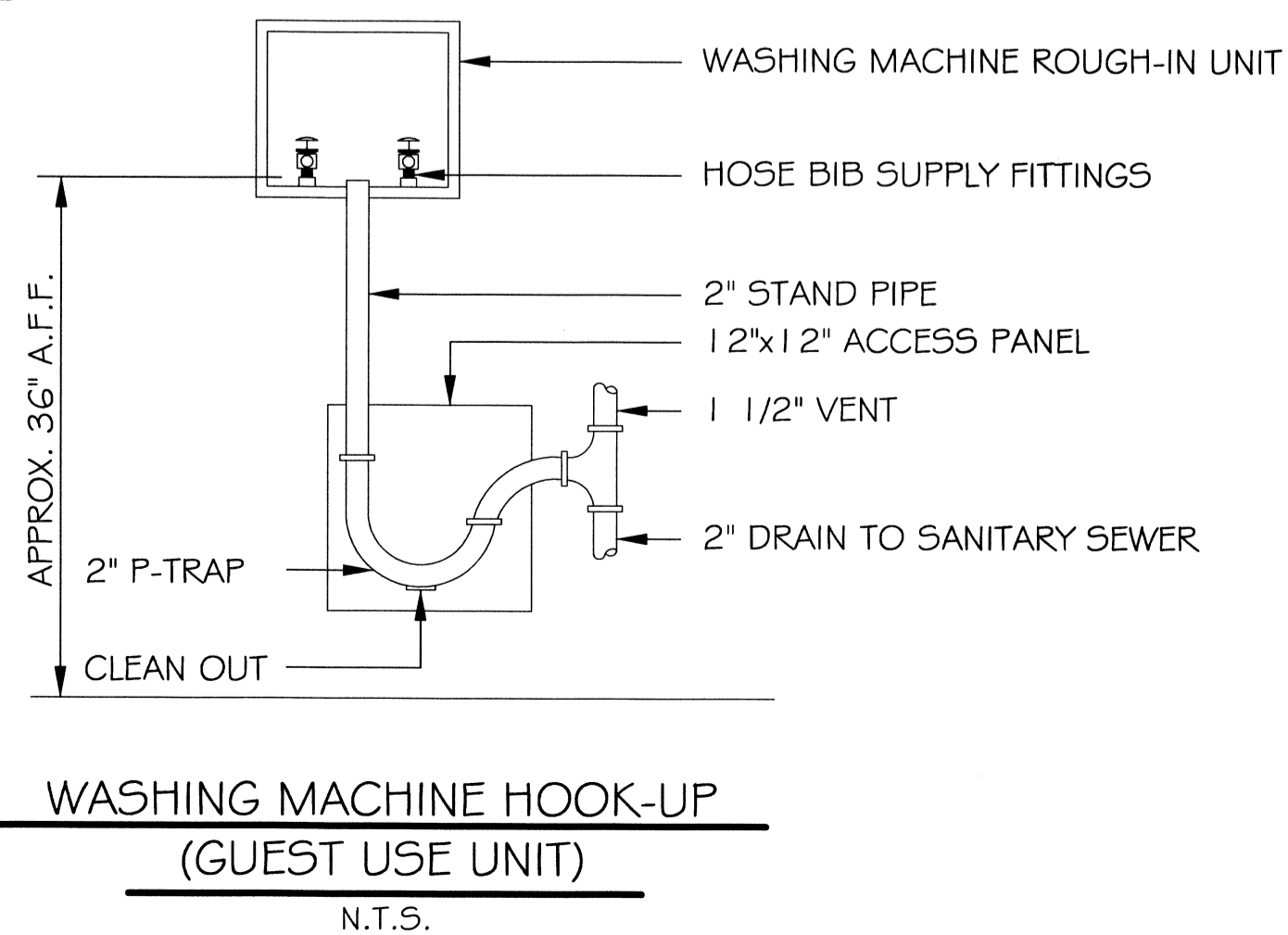


NOTE: EACH WATER HEATER SHALL HAVE A CONTROL/TIMER, FURNISHED WITH UNIT. (SCHEMATIC FURNISHED BY HEATER MANUFACTURER.) CONNECT CONTROLS PER MANUFACTURERS INSTRUCTIONS.



**NOTES:**

1. ALL COLD AND HOT WATER LINES TO HAVE CIRCUIT SETTERS. PROVIDE SHOP DRAWINGS FOR BUILDING. WATER SYSTEM SHOWING ALL VALVES, CIRCUIT SETTERS, ETC.
2. CONTRACTOR SHALL PROVIDE FIRE SPRINKLER CONTRACTOR WITH 6" FLANGED STUB UP AT LOCATION TO BE DETERMINED IN FIELD.
3. INSULATE HOT WATER LINES FROM HOT WATER HEATER TO 2ND FLOOR.
4. INSULATE ALL HOT WATER LINES IN 2ND FLOOR CEILING.
5. INSULATE TOTAL COLD WATER SYSTEM.
6. PIPE INSULATION SHALL MEET ALL NATIONAL CODES FOR PRODUCT TYPE AND INSTALLATION PRACTICES.
7. EACH RISER SHALL BE FLOW CONTROLLED BY A BRASS CIRCUIT SETTER BALANCING VALVE. (ON RETURN LINE BACK TO HEATER)
8. SHUT OFF VALVES AT EACH RISER.
9. NO PIPING TO PENETRATE EXHAUST CHASE.



PLUMBING FIXTURE SCHEDULE											
MARK	FIXTURE	TYPE	SIZE	MANUFACTURER # MODEL NO.	COLOR	CARRIER	CONNECTIONS			REMARKS	
							TRAP	SAN	VENT	HW	
WC1	WATER CLOSET	FLR MTD	STANDARD	TOTO DRAKE MODEL CS1744B	WHITE	--	3"	4"	2"	1 1/2"	PROVIDE W/ WHITE CLOSED FRONT ELONGATED SEAT, CHURCH MODEL # 130 (1.6 GAL. PER FLUSH). NOTE 1, 2, 10
WC1H	H.C. WATER CLOSET	FLR MTD	H.C. ELONGD	TOTO DRAKE MODEL CS1744L	WHITE	--	3"	4"	2"	1 1/2"	PROVIDE W/ WHITE CLOSED FRONT ELONGATED SEAT, AUTOMATIC FLUSH VALVE (1.6 GAL. PER FLUSH). NOTE 1, 2, 10, 12
WC1A	WATER CLOSET	FLR MTD	STANDARD	AMERICAN STANDARD 2234.015	WHITE	--	3"	4"	2"	1 1/2"	PROVIDE W/ OLSONITE MODEL #95-95 SEAT # AUTOMATIC FLUSH VALVE (1.5 GAL. PER FLUSH). NOTE 1, 2, 10
WC1A1	H.C. WATER CLOSET	FLR MTD	H.C. ELONGD	AMERICAN STANDARD 2045.102	WHITE	--	3"	4"	2"	1 1/2"	PROVIDE W/ OLSONITE MODEL 9555 SEAT # AUTOMATIC FLUSH VALVE (1.5 GAL. PER FLUSH). NOTE 1, 2, 10, 12
UR1	URINAL	WALL HUNG	--	AMERICAN STANDARD ALBROOK T.O. 6541.132	WHITE	WADE W-400	2"	3"	1 1/2"	1"	PROVIDE AUTOMATIC FLUSH VALVE (1.0 GAL. PER FLUSH) NOTE 11
LV1	LAVATORY	UNDER COUNTER	21 x 17	AMERICAN STANDARD 0497.221	WHITE	--	1 1/4"	1 1/2"	1 1/4"	1/2"	PROVIDE W/ AMERICAN STANDARD MODEL 2385.400 TRIM NOTES 2, 3
LV1H	LAVATORY	UNDER COUNTER	21 x 17	AMERICAN STANDARD 0497.221	WHITE	--	1 1/4"	1 1/2"	1 1/4"	1/2"	PROVIDE W/ AMERICAN STANDARD MODEL 2385.400 TRIM # FULLY MOLDED, P-TRAP, ANGLE VALVE INSULATION. NOTES 2, 3, 14
LV1AH	H.C. LAVATORY	WALL HUNG	20 x 16	AMERICAN STANDARD 0355.012	WHITE	--	1 1/4"	1 1/2"	1 1/4"	1/2"	PROVIDE W/ AMERICAN STANDARD MODEL 2385.400 TRIM # FULLY MOLDED, P-TRAP, ANGLE VALVE INSULATION. NOTES 2, 3, 14
TB1	BATH TUB # SHOWER	--	60 x 30 x 17	AGS MODEL 0163.060(RIGHT)	WHITE	--	1 1/4"	1 1/2"	1 1/4"	1/2"	PROVIDE W/ SYMMONS MODEL 5-76-2-BF-X-IP # SLDAN, WATERPIK MESSAGE-SHOWERHEAD, ITEM # 272NVL623GCP, CHROME BODY, NOTES 2, 5, 13
TB1H	BATH TUB # SHOWER	--	60 x 30 x 17	AGS MODEL 0163.060(LEFT)	WHITE	--	1 1/4"	1 1/2"	1 1/4"	1/2"	PROVIDE W/ SYMMONS MODEL 5-76-200-B30-X-IP # SLDAN, WATERPIK MESSAGE-SHOWERHEAD, ITEM # 272NVL623GCP, CHROME BODY, NOTES 2, 5, 13
TB1AH	SHOWER FITTING	--	--	--	--	--	--	--	--	--	SYMMONS MODEL 5-25-500-B30-X-IP, WATERPIK MESSAGE SHOWERHEAD, ITEM # 272NVL623GCP, CHROME BODY, NOTES 2, 5, 13
SK1	LAUNDRY SINK	FLOOR MTD	23 x 24	AQUA GLASS MODEL T03000	--	--	2"	2"	1 1/2"	1/2"	PROVIDE W/ CHICAGO MODEL 891 TRIM
SK2	SERVICE SINK	TERRAZZO	24 x 24 x 12	STERN WILLIAMS MODEL SB-302	--	--	2"	2"	1 1/2"	1/2"	PROVIDE W/ CHICAGO MODEL 897 ROUGH FINISH # STERN WILLIAMS MODEL T-35
SK3	DOUBLE BOWL	DROP-IN	20 x 37	MODEL DL-2037-A-GR	S.S.	--	3"	3"	1 1/2"	1/2"	PROVIDE W/ AMERICAN STANDARD MODEL 4205.429 TRIM # ISE PRO-333 DISPOSER
SK4	TRIPLE BOWL	DROP-IN	49 x 19	MODEL TL-1949-A-GR	S.S.	--	3"	3"	1 1/2"	1/2"	PROVIDE W/ (2) CHICAGO MODEL 527-HAB-E1-369 # JUST MODEL L35-316 TRIM # ISE PRO-333 DISPOSER
SK5	HAND SINK	WALL MTD	15 x 12	CRANE MODEL 1377V	WHITE	--	1 1/4"	2"	1 1/2"	1/2"	PROVIDE W/ AMERICAN STANDARD MODEL 2385.400 TRIM.
SK6	SINGLE BOWL	COUNTER TOP	15 x 15	JUST SB-1515-A-GR	--	--	1 1/4"	2"	1 1/2"	1/2"	PROVIDE W/ CHICAGO 526GCP TRIM
EW	FOUNTAIN	WALL MTD	TWO LEVEL	MODEL E2512BC	S.S.	--	2"	2"	1 1/2"	1/2"	TWO LEVEL ADULT OR CHILD ADA MODEL
WMB	WASHER BOX	WALL MTD	8 x 5 x 4	SYMMONS MODEL W-600-X	--	--	2"	2"	1 1/2"	1/2"	

- NOTES:
1. PROVIDE WITH BOLT CAPS.
  2. PROVIDE WITH CHROME ANGLE STOP(S) AND SUPPLIES.
  3. PROVIDE 1 1/4" CHROME "P" TRAP.
  4. PROVIDE 1 1/4" OFF-SET TAIL PIECE.
  5. PROVIDE HANDI-CAP PIPE INSULATION KIT ON EXPOSED CWHW AND WASTE PIPING, EQUAL TO TRUEBRO LAVGUARD #101 W/ #105 OFF-SET TAIL PIECE.
  6. PROVIDE 1 1/2" CHROME "P" TRAP.
  7. MOUNT AT HANDICAPPED HEIGHT.
  8. PROVIDE W/ DEEP SEAL "P" TRAP.
  9. PROVIDE W/ TRAP PRIMER SYSTEM. INSTALL VALVE IN NEAREST PROPERLY SIZED CW LINE OF CONSISTENT USAGE. PROVIDE ACCESS TO VALVES FOR MAINTENANCE.
  10. REFER SPECIFICATION SECTION 15450 FOR FURTHER TRIM INFORMATION.
  11. MOUNT SHOWER HEAD @ 72" ABOVE SHOWER FLOOR.
  12. REFER PLUMBING PLANS FOR RIGHT OR LEFT HAND CONFIGURATIONS.
  13. WATERPIK MESSAGE SHOWERHEAD ADA MODEL # 272NVL653GCP.
  14. PROVIDE AUTOMATIC FAUCETS.

417528

REVIEWED FOR  
STATE FIRE MARSHAL,  
AS PER REVIEW LETTER  
BY: MARGARET HILL, ARCHITECT  
*Margaret Hill*

**DAMMON ENGINEERING, INC.**

CHIEF ENGINEER  
EMMETT DAMMON, P.E.

CHIEF ARCHITECT  
ROBERT WILTSE

554 OLD SPANISH TRAIL  
SLIDELL, LA. 70458  
OFFICE: 985-649-5832  
FAX: 985-641-5950

WEBSITE:  
WWW.DAMMONENGINEERING.COM

EMAIL:  
DAMMONENG@BELLSOUTH.NET

ARCHITECTURE  
ENGINEERING  
STUDIES  
PLANNING  
INVESTIGATION  
EXPERT WITNESS

LA QUINTA  
INN & SUITES

SPORTSMAN PARK  
LOT 14  
CABLE'S PARKWAY  
GONZALES  
LOUISIANA

PLUMBING  
RISER & NOTES

REV: *Robert Wiltse*

SCALE: AS NOTED

JOB#: 2141

DATE: 07-03-12

SHEET 36

P-3

OF 36