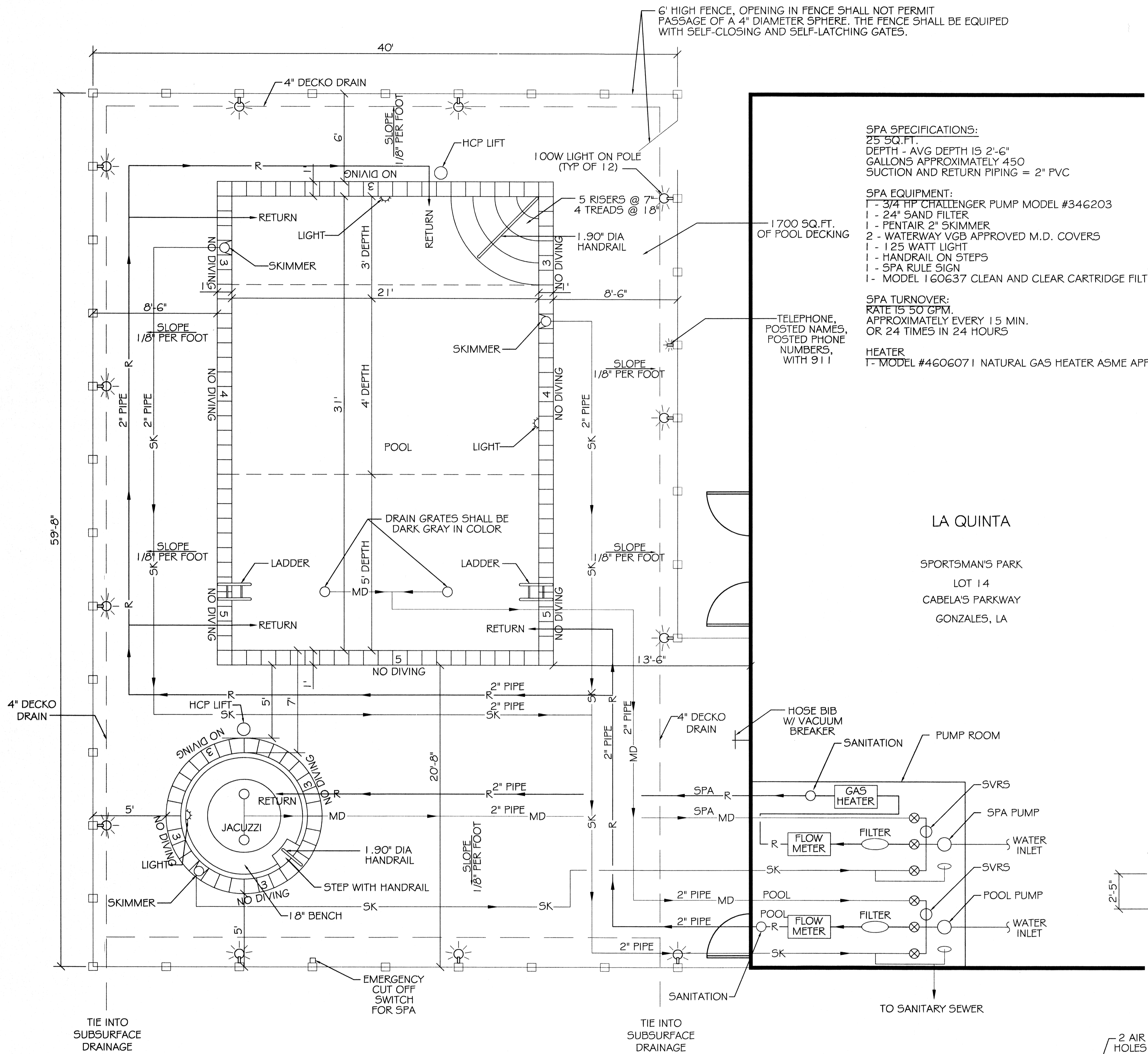


#	DESCRIPTION	DATE



**LEGEND**

- R - RETURN
- S - SUCTION
- MD - BACKWASH
- - TILES
- 5 - DEPTH MARKERS
- ⊗ - VALVES
- ☉ - 100W LIGHT ON POLE



**SPA SPECIFICATIONS:**  
25 SQ.FT.  
DEPTH - AVG DEPTH IS 2'-6"  
GALLONS APPROXIMATELY 450  
SUCTION AND RETURN PIPING = 2" PVC

**SPA EQUIPMENT:**  
1 - 3/4 HP CHALLENGER PUMP MODEL #346203  
1 - 24" SAND FILTER  
1 - PENTAIR 2" SKIMMER  
2 - WATERWAY VGB APPROVED M.D. COVERS  
1 - 125 WATT LIGHT  
1 - HANDRAIL ON STEPS  
1 - SPA RULE SIGN  
1 - MODEL 160637 CLEAN AND CLEAR CARTRIDGE FILTER

**SPA TURNOVER:**  
RATE IS 50 GPM.  
APPROXIMATELY EVERY 15 MIN.  
OR 24 TIMES IN 24 HOURS

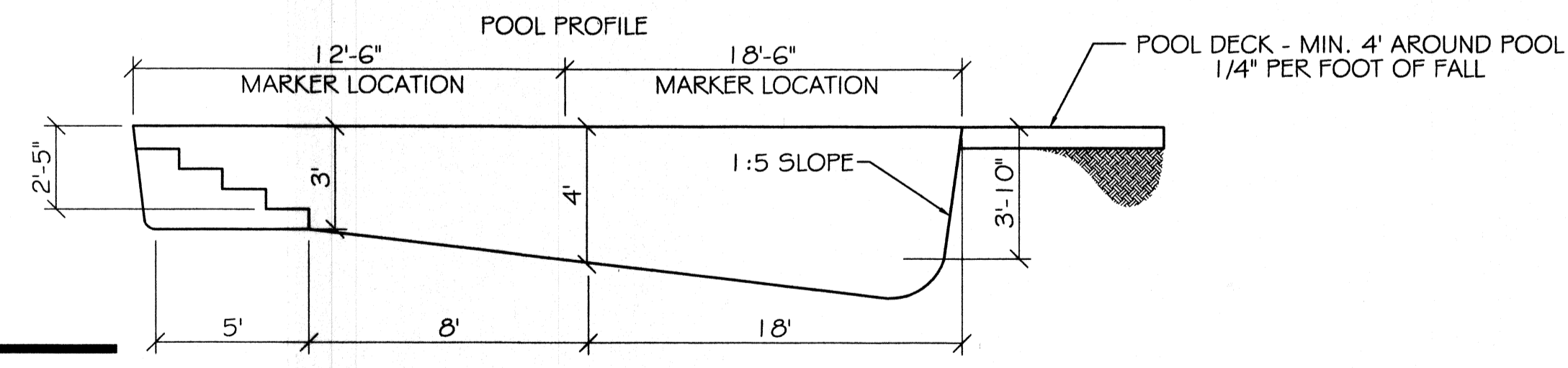
**HEATER:**  
1 - MODEL #4606071 NATURAL GAS HEATER ASME APPROVED

**POOL SPECIFICATIONS:**  
650 SQ.FT.  
DEPTH - 3' - 5'  
GALLONS APPROXIMATELY 18,000  
SUCTION AND RETURN PIPING = 2" PVC

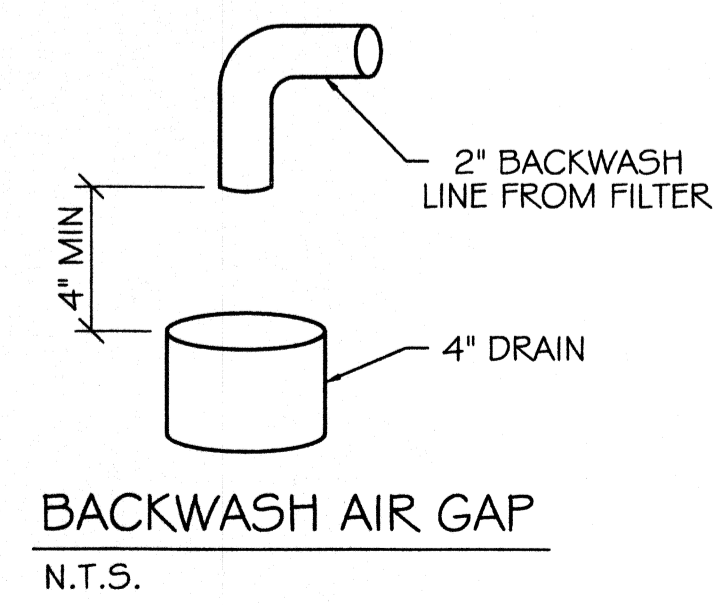
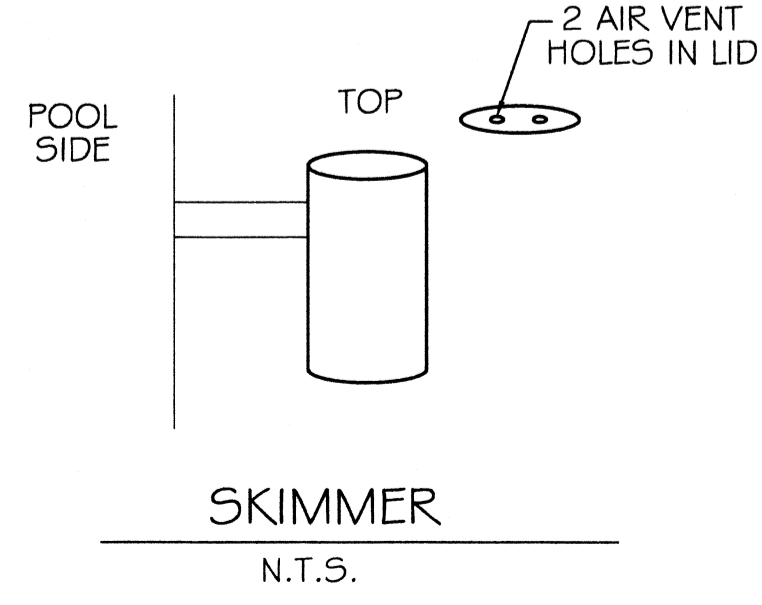
**POOL EQUIPMENT:**  
1 - 3/4 HP CHALLENGER PUMP  
1 - 24" SAND FILTER  
2 - PENTAIR 2" SKIMMERS  
2 - WATERWAY VGB APPROVED M.D. COVERS  
2 - 500 WATT LIGHT  
2 - 3 TREAD LADDER  
1 - HANDRAIL ON STEPS  
1 - POOL ROPE WITH FLOATS  
1 - SHEPARD'S HOOK  
1 - 30" RING BOX  
1 - POOL RULE SIGN

**POOL TURNOVER:**  
RATE IS 50 GPM.  
APPROXIMATELY EVERY 6 HOURS  
OR 4 TIMES IN 24 HOURS

- NOTES:**
1. DECKING SHALL BE INSTALLED IN ACCORDANCE WITH LOUISIANA STATE SANITARY CODE, PART XXIV, §23 F-3, G & Q.
  2. PRESSURE OR VACUUM GAUGE SHALL BE INSTALLED IN ACCORDANCE WITH LOUISIANA STATE SANITARY CODE, PART XXIV, 503 C-1.
  3. ALL DRAIN INLETS SHALL DISCHARGE 10" TO 15" BELOW THE SURFACE OF THE WATER IN ACCORDANCE WITH LOUISIANA STATE SANITARY CODE, PART XXIV, 511 B-1.
  4. DEPTH MARKERS SHALL BE PLACED IN ACCORDANCE WITH LOUISIANA STATE SANITARY CODE, PART XXIV, 701 A, 1-4 AND 9. IN ADDITION TO THE MARKINGS SHOWN, ADDITIONAL MARKERS SHALL BE LEGIBLE FROM INSIDE THE POOL.
  5. THERE WILL BE NO PHYSICAL CONNECTION BETWEEN THE POOL OR POOL PIPING AND THE POTABLE WATER SYSTEM IN ACCORDANCE WITH LOUISIANA STATE SANITARY CODE, PART XXIV, 707 A AND 709 B.
  6. THERE WILL BE NO PHYSICAL CONNECTION BETWEEN THE POOL DRAINAGE SYSTEM AND BACKWASH FILTER SYSTEM WITH THE LOCAL SEWER AND DRAINAGE SYSTEMS IN ACCORDANCE WITH LOUISIANA STATE SANITARY CODE, PART XXIV, 511 D.
  7. THE DISINFECTATION FACILITY SHALL BE INSTALLED IN ACCORDANCE WITH THE LOUISIANA STATE SANITARY CODE, PART XXIV, 901 A, AND 903 A.
  8. POOL FILLING SHALL BE ACCOMPLISHED MANUALLY WITH A GARDEN HOSE. DURING FILLING OPERATIONS, THE HOSE SHALL NOT BE SUBMERGED TO PREVENT CROSS CONNECTIONS IN ACCORDANCE WITH LOUISIANA STATE SANITARY CODE.
  9. POOL & SPA PLASTER SHALL BE WHITE IN COLOR.
  10. GROUNDING SHALL BE INSTALLED IN A LOOP AROUND POOL AND SPA CONNECTING TO HANDRAILS AND LADDERS PER NATIONAL ELECTRICAL CODE.
  11. TOTAL DYNAMIC HEAD FOR POOL AND SPA SYSTEM SHALL BE 50'.
  12. POOL AND SPA SANITATION IS SODIUM CHLORIDE (LIQUID CHLORINE) PH SHALL BE MURIATIC ACID.



**POOL PROFILE**  
N.T.S.



**BACKWASH AIR GAP**  
N.T.S.

**POOL PLAN**  
SCALE: 1/4" = 1'-0"