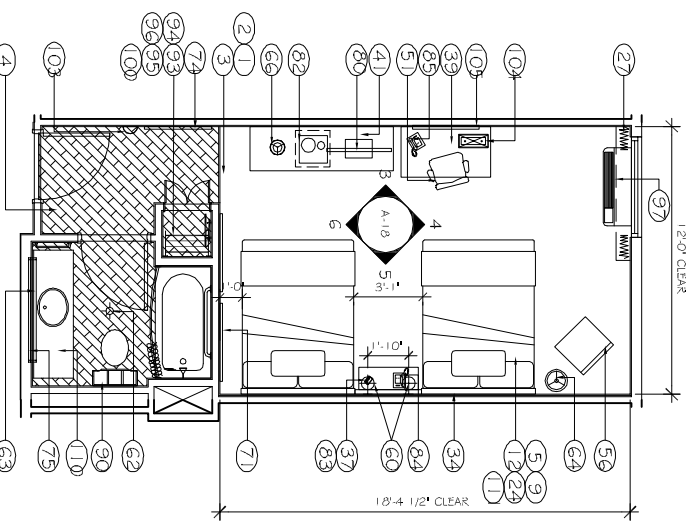
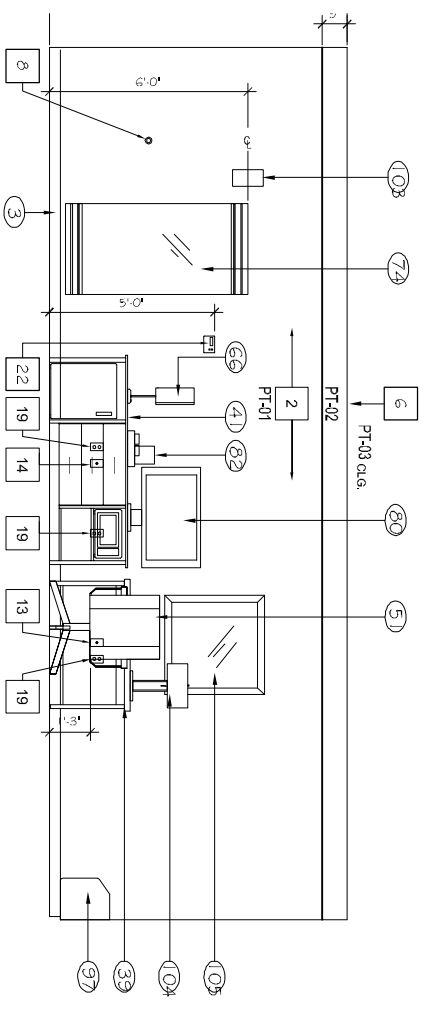


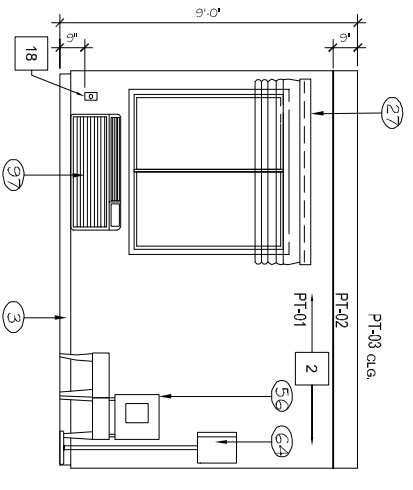
DIMENSIONAL CONTROL PLAN
SCALE: 1/4" = 1'-0"



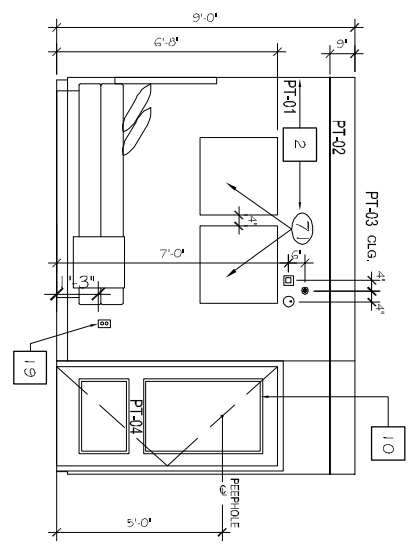
FURNITURE PLAN
SCALE: 1/4" = 1'-0"



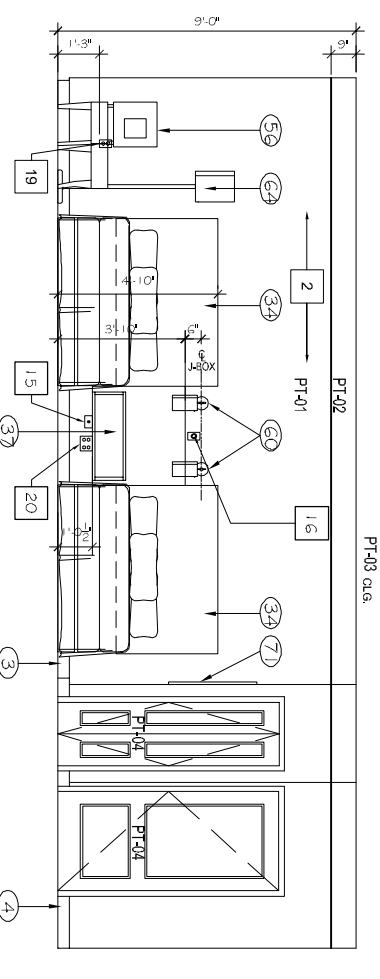
3 GUESTROOM ELEVATION
SCALE: 3/8" = 1'-0"



4 GUESTROOM ELEVATION
SCALE: 3/8" = 1'-0"



6 GUESTROOM ELEVATION
SCALE: 3/8" = 1'-0"



5 GUESTROOM ELEVATION
SCALE: 3/8" = 1'-0"

- GENERAL NOTES**
- ELECTRICAL OUTLETS IN ADJACENT ROOMS OF THE SAME TYPE SHALL BE OFFSET A MAXIMUM OF 8" & SEPARATED BY STUD TYPES.
 - REFER TO BUILDING PLANS FOR LOCATION OF GUEST ROOM TYPES.
 - ALL PLAN DIMENSIONS ARE TO FACE OF STUD.
 - REF. A-10 THRU A-12 FOR BATHROOM FURNISHINGS.
- REFERENCE FINISH SELECTION BOOK FOR PAINT AND MATERIAL LEGEND**
- | | |
|----|--|
| XX | |
| A | FOR F.F.E. V.A.S.T. 1.1 SCHEDULE SEE VIBRANT DESIGN SCENE MANUAL |
| B | REFER A-801 FOR PARTITION TYPES |

- DRAWING NOTES**
- A. VINYL FLOORING TO BE INSTALLED AT LEAST FROM THE ROOM ANS. DETERMINE STARTING POINT FOR EACH ROOM/SO AS TO MAINTAIN A MINIMUM 12" LONG PIECE AT EDGES.

FF&E SCHEDULE	FF&E SCHEDULE (CONTINUED)
<p>CARPET / FLOORING (00)</p> <p>1 GUESTROOM CARPET V.A.S.T. 201-C-P</p> <p>2 GUESTROOM CARPET PAD V.A.S.T. 201-B-C-P</p> <p>3 GUESTROOM CARPET BASE V.A.S.T. 201-D-C-P</p> <p>4 GUESTROOM BATH RESILIENT TILE V.A.S.T. 202-RT</p> <p>BEDDING / DRAPEY (100)</p> <p>5 COVERLET FABRICATION - DD V.A.S.T. 100-D-BD</p> <p>6 COVERLET FABRICATION - QLEEN V.A.S.T. 100-Q-BD</p> <p>7 COVERLET FABRICATION - KING V.A.S.T. 100-K-BDF</p> <p>8 COVERLET FABRIC V.A.S.T. 100-BD</p> <p>9 BED THROW FABRICATION DOUBLE V.A.S.T. 102-D-BD</p> <p>10 BED THROW FABRICATION QUEEN V.A.S.T. 102-Q-BD</p> <p>11 BED THROW FABRICATION KING V.A.S.T. 102-K-BD</p> <p>12 BEDSKIRT FABRICATION DOUBLE V.A.S.T. 103-D-BD</p> <p>13 BEDSKIRT FABRICATION QUEEN V.A.S.T. 103-Q-BD</p> <p>14 BEDSKIRT FABRICATION KING V.A.S.T. 103-K-BDF</p> <p>15 BEDSKIRT FABRIC V.A.S.T. 103-BD</p> <p>16 MATTRESS AND BOXSPRINGS KING V.A.S.T. 105-KB</p> <p>17 MATTRESS AND BOXSPRINGS DOUBLE V.A.S.T. 105-D-BD</p> <p>18 MATTRESS AND BOXSPRINGS QUEEN V.A.S.T. 105-Q-BD</p> <p>19 MATTRESS AND BOXSPRINGS KING-ADA V.A.S.T. 105-K-ADA</p> <p>20 MATTRESS AND BOXSPRING DOUBLE-ADA V.A.S.T. 105-D-ADA</p> <p>21 BED BASE KING ADA V.A.S.T. 107-BD</p> <p>22 MATTRESS AND BOXSPRING DOUBLE-ADA V.A.S.T. 108-BD</p> <p>23 BED BASE DOUBLE ADA V.A.S.T. 108-ADA</p> <p>24 MATTRESS AND BOXSPRINGS QUEEN V.A.S.T. 109-BD</p> <p>25 BED BASE QUEEN V.A.S.T. 109-BA</p> <p>26 MATTRESS AND BOXSPRING QUEEN-ADA V.A.S.T. 110-BA</p> <p>27 ROMAN SHADE & ROLLER SHADE V.A.S.T. 120-WT</p> <p>28 ADA SLIDER SHADE AT ACCESSIBLE ROOMS V.A.S.T. 122-VT</p> <p>29 SHEER AT FRENCH DOOR - NOT USED V.A.S.T. 122-WF</p> <p>30 MESH ROLL PULLDOWN V.A.S.T. 124-WF</p> <p>CASEGOODS (200)</p> <p>32 DRESSER V.A.S.T. 201-CG</p> <p>33 DRESSER WITHOUT TOP - NOT USED V.A.S.T. 201-L-CG</p> <p>34 HEADBOARD - DD V.A.S.T. 201-D-CG</p> <p>35 HEADBOARD - QUEEN V.A.S.T. 201-Q-CG</p> <p>36 HEADBOARD - KING V.A.S.T. 201-K-CG</p> <p>37 NIGHTSTAND DOUBLE V.A.S.T. 202-CG</p> <p>38 NIGHTSTAND KING V.A.S.T. 203-CG</p> <p>39 DESK V.A.S.T. 204-CG</p> <p>40 DESK ON CASTERS V.A.S.T. 205-CG</p> <p>41 MICROFRIDGE CABINET/DRESSER V.A.S.T. 207-CG</p> <p>42 MICROFRIDGE CABINET/DRESSER W/O TOP - NOT USED V.A.S.T. 207-L-CG</p> <p>43 OVAL COFFEE TABLE V.A.S.T. 208-CG</p> <p>44 SMALL DRESSER - NOT USED V.A.S.T. 214-CG</p> <p>45 MICROFRIDGE CABINET - NOT USED V.A.S.T. 215-CG</p> <p>46 END TABLE V.A.S.T. 216-CG</p> <p>47 DESK PEDESTAL - NOT USED V.A.S.T. 220-CG</p> <p>48 DINING TABLE - NOT USED V.A.S.T. 221-CG</p> <p>49 HEADBOARD QUEEN V.A.S.T. 228-CG</p> <p>50 LARGE DESK (80") V.A.S.T. 228-CG</p> <p>51 WALL DESK V.A.S.T. 208-CG</p> <p>52 COFFEE TABLE W/CASTERS @ KING V.A.S.T. 208-CG</p> <p>53 VANITY BASE-ADA V.A.S.T. 212-CG</p> <p>54 VANITY BASE-ADA V.A.S.T. 213-CG</p> <p>CASEGOODS (300)</p> <p>51 TASK DESK CHAIR V.A.S.T. 301-SG</p> <p>52 SOFA SLEEPER V.A.S.T. 302-SG</p> <p>53 SOFA SLEEPER FABRIC V.A.S.T. 302-A-SGF</p> <p>54 LOUNGE CHAIR V.A.S.T. 304-SG</p> <p>55 LOUNGE CHAIR FABRIC V.A.S.T. 304-A-SGF</p> <p>56 SIDE CHAIR V.A.S.T. 308-SG</p> <p>57 SIDE CHAIR FABRIC V.A.S.T. 308-A-SGF</p> <p>58 RECLINER - NOT USED V.A.S.T. 309-SG</p> <p>59 RECLINER FABRIC - NOT USED V.A.S.T. 309-A-SGF</p> <p>60 CHAIRS/LOUNGE OR OPTIONAL SLEEPER SOFA V.A.S.T. 308-SG</p> <p>LAMPS / LIGHTING (400)</p> <p>60 BEDSIDE LAMP V.A.S.T. 403-LT</p> <p>61 NOT USED</p> <p>62 BATH CEILING FIXTURE V.A.S.T. 401-LT</p> <p>63 VANITY LIGHT AT BATH V.A.S.T. 402-LT</p> <p>64 FLOOR LAMP V.A.S.T. 405-LT</p> <p>65 VANITY LIGHT AT BATH-ADA V.A.S.T. 407-LT</p> <p>66 TABLE LAMP V.A.S.T. 408-LT</p> <p>67 CEILING LIGHT AT ENTRY V.A.S.T. 408-LT</p> <p>68 DESK LAMP - TALL V.A.S.T. 409-LT</p> <p>69 ENTRY SCONCE - NOT USED V.A.S.T. 414-LT</p> <p>70 FLOOR LAMP W/O TABLE - NOT USED V.A.S.T. 416-LT</p> <p>71 SIDE SCONCE V.A.S.T. 400-LT</p> <p>72 DESK LAMP SHORT V.A.S.T. 410-LT</p> <p>73 TASK LAMP AT WALL DESK V.A.S.T. 411-LT</p>	<p>ART / MIRRORS (500)</p> <p>71 FRAMED ARTWORK IN GUESTROOM V.A.S.T. 500-ART</p> <p>72 FRAMED ARTWORK IN GUESTROOM - NOT USED V.A.S.T. 500-ART</p> <p>73 FRAMED ARTWORK IN GUESTROOM - NOT USED V.A.S.T. 500-ART</p> <p>74 FULL LENGTH MIRROR V.A.S.T. 501-MR</p> <p>75 VANITY MIRROR V.A.S.T. 503-MR</p> <p>76 ARTIST MIRROR V.A.S.T. 507-MR</p> <p>77 ARTIST MIRROR V.A.S.T. 505-MR</p> <p>78 VANITY MIRROR - ADA V.A.S.T. 504-MR</p> <p>GUESTROOM MSC (600)</p> <p>77 MICRO-FRIDGE UNIT V.A.S.T. 601-MISC</p> <p>78 MICROVAVES V.A.S.T. 603-MISC</p> <p>79 REFRIGERATOR V.A.S.T. 601B-MISC</p> <p>80 32" FLAT PANEL TV V.A.S.T. 602-MISC</p> <p>81 TV SWIVEL WALL MOUNT V.A.S.T. 602A-MISC</p> <p>82 COFFEE MAKER V.A.S.T. 603-MISC</p> <p>83 CLOCK RADIO V.A.S.T. 604-MISC</p> <p>84 BEDSIDE TELEPHONE V.A.S.T. 605-MISC</p> <p>85 SPEAKER TELEPHONE V.A.S.T. 606-MISC</p> <p>86 HAIR DRYER V.A.S.T. 607-MISC</p> <p>87 TOLLET PAPER HOLDER V.A.S.T. 608-MISC</p> <p>88 SHOWER CURTAIN ROD V.A.S.T. 609-MISC</p> <p>89 TOWEL BAR V.A.S.T. 610-MISC</p> <p>90 DECORATIVE TOWEL SHELF V.A.S.T. 611-MISC</p> <p>91 FASCIAL TISSUE DISPENSER V.A.S.T. 612-MISC</p> <p>92 ROBE HOOK V.A.S.T. 613-MISC</p> <p>93 SUIT HANGER MINI HOOK V.A.S.T. 614A-MISC</p> <p>94 SKIRT HANGER MINI HOOK V.A.S.T. 614B-MISC</p> <p>95 LUGGAGE RACK V.A.S.T. 615A-MISC</p> <p>96 IRON IRON BOARD & HOOK V.A.S.T. 616-MISC</p> <p>97 FTAC V.A.S.T. 617-MISC</p> <p>98 COAT CLOSET ROD W/O SHELF V.A.S.T. 619A-MISC</p> <p>99 COAT CLOSET ROD W/ SHELF V.A.S.T. 620-MISC</p> <p>100 GUESTROOM DOOR LOCK V.A.S.T. 621-MISC</p> <p>WALLCOVERING (800)</p> <p>102 NOT USED</p>

KEY SCHEDULE	KEY SCHEDULE
1 CARPET PAD & BASE	11 TELEPHONE: DATA, COFFEE, HOUSING
2 TEXTURE DRIVEWALL - REFER TO FINISH SCHEDULE	12 TELEPHONE: DATA, COFFEE, HOUSING
3 CLOTHES ROD	13 TELEPHONE: DATA, COFFEE, HOUSING
4 THRU - WALL AIR CONDITIONING UNIT ROUGH OPENING 3' 6" BY 7' 2 1/4" MIN.	14 TELEPHONE: DATA, COFFEE, HOUSING
5 REINFORCED CEILING - REFER TO FINISH SCHEDULE	15 TELEPHONE: DATA, COFFEE, HOUSING
6 DOOR MOUNTED DOOR STOP	16 TELEPHONE: DATA, COFFEE, HOUSING
7 WALL MOUNTED DOOR STOP	17 LIGHT SWITCH REFER TO FLOOR PLANS AND ELEVATIONS FOR DIMENSIONS AND LOCATION
8 DECOGNATIVE WOOD MOLDINGS	18 LIGHT SWITCH REFER TO FLOOR PLANS AND ELEVATIONS FOR DIMENSIONS AND LOCATION
9 2 PANEL METAL DOOR AND FRAME - PAINTED REFER TO DOOR SCHEDULE: TFSM LOOK HARDWARE	19 LIGHT SWITCH REFER TO FLOOR PLANS AND ELEVATIONS FOR DIMENSIONS AND LOCATION
10 Gypsum Board Return at Head, Lamb & Sill	20 LIGHT SWITCH REFER TO FLOOR PLANS AND ELEVATIONS FOR DIMENSIONS AND LOCATION
11 NOT USED	21 LIGHT SWITCH REFER TO FLOOR PLANS AND ELEVATIONS FOR DIMENSIONS AND LOCATION
12 TELEPHONE: DATA, COFFEE, HOUSING	22 LIGHT SWITCH REFER TO FLOOR PLANS AND ELEVATIONS FOR DIMENSIONS AND LOCATION
13 TELEPHONE: DATA, COFFEE, HOUSING	
14 TELEPHONE: DATA, COFFEE, HOUSING	
15 TELEPHONE: DATA, COFFEE, HOUSING	
16 TELEPHONE: DATA, COFFEE, HOUSING	
17 LIGHT SWITCH REFER TO FLOOR PLANS AND ELEVATIONS FOR DIMENSIONS AND LOCATION	
18 LIGHT SWITCH REFER TO FLOOR PLANS AND ELEVATIONS FOR DIMENSIONS AND LOCATION	
19 LIGHT SWITCH REFER TO FLOOR PLANS AND ELEVATIONS FOR DIMENSIONS AND LOCATION	
20 LIGHT SWITCH REFER TO FLOOR PLANS AND ELEVATIONS FOR DIMENSIONS AND LOCATION	
21 LIGHT SWITCH REFER TO FLOOR PLANS AND ELEVATIONS FOR DIMENSIONS AND LOCATION	
22 LIGHT SWITCH REFER TO FLOOR PLANS AND ELEVATIONS FOR DIMENSIONS AND LOCATION	

<p>REVISIONS</p> <table border="1"> <thead> <tr> <th>#</th> <th>DESCRIPTION</th> <th>DATE</th> </tr> </thead> <tbody> <tr> <td> </td> <td> </td> <td> </td> </tr> <tr> <td> </td> <td> </td> <td> </td> </tr> </tbody> </table>	#	DESCRIPTION	DATE							<p>LAQUINTA INNS & SUITES</p> <p>HATTIESBURG, MISSISSIPPI</p>	<p>2158</p> <p>12-11-2012</p> <p>JTL</p>	<p>CHIEF ENGINEER: EMMETT DAMMON, P.E.</p> <p>554 OLD SPANISH TRAIL</p> <p>5UDEL, LA 70450</p> <p>dammoneng@att.net PHONE: 905-649-5832 FAX: 905-641-5950</p>
	#	DESCRIPTION	DATE									
<p>SHEET No:</p> <p>A14</p> <p>DOUBLE QUEEN DETAILS</p>	<p>DAMMON ENGINEERING, INC.</p>											