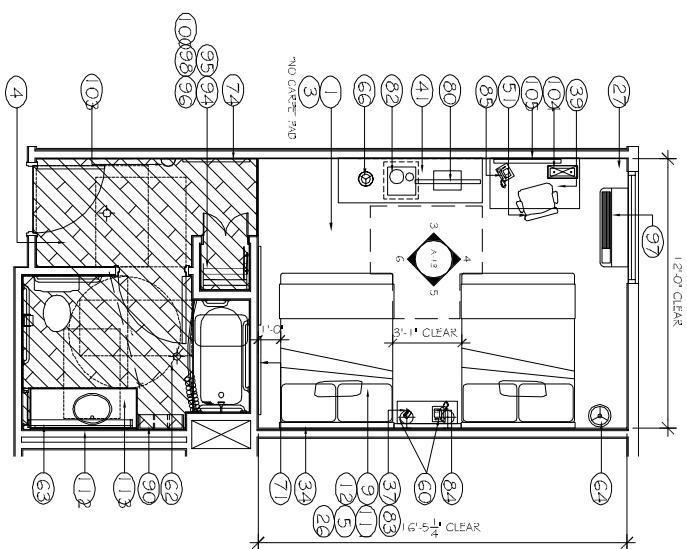
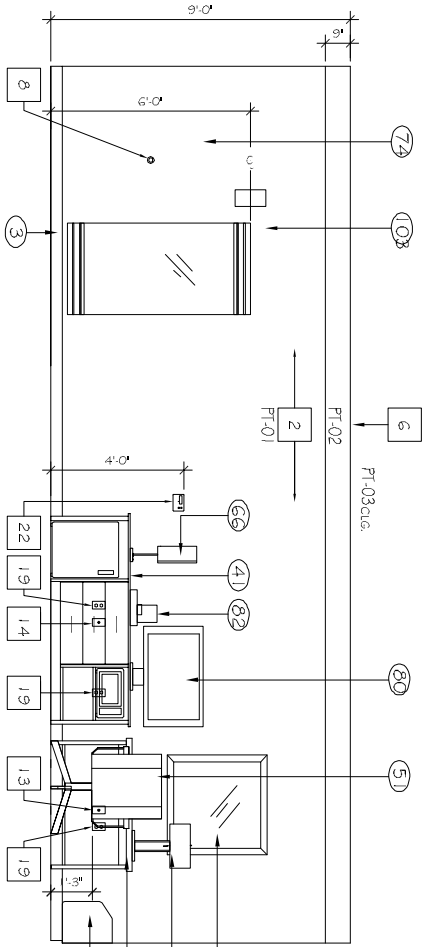


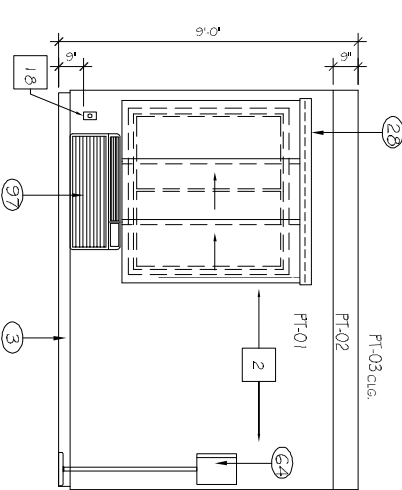
1 DIMENSIONAL CONTROL PLAN  
SCALE: 1/4" = 1'-0"



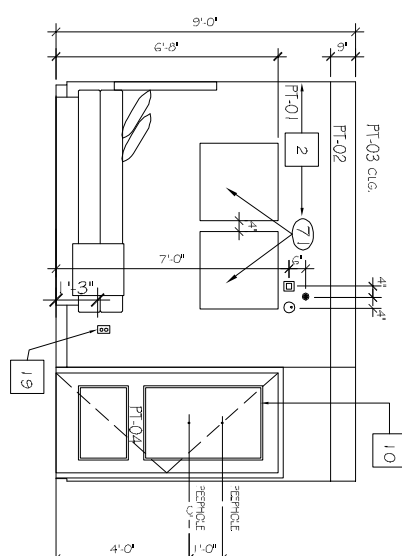
2 FURNITURE PLAN  
SCALE: 1/4" = 1'-0"



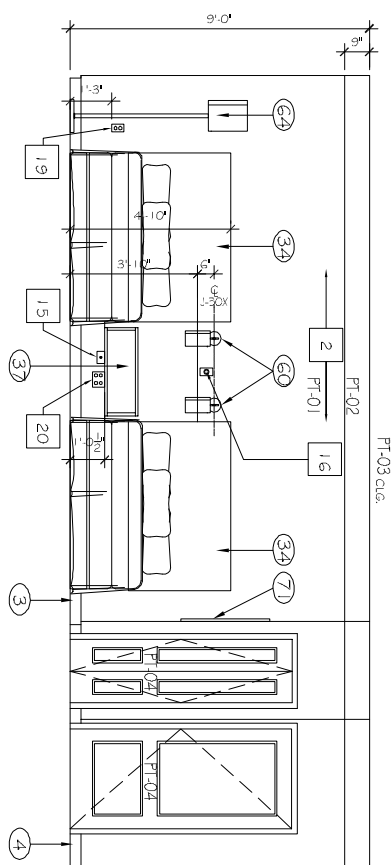
3 GUESTROOM ELEVATION  
SCALE: 3/8" = 1'-0"



4 GUESTROOM ELEVATION  
SCALE: 3/8" = 1'-0"



6 GUESTROOM ELEVATION  
SCALE: 3/8" = 1'-0"



5 GUESTROOM ELEVATION  
SCALE: 3/8" = 1'-0"

**DRAWING NOTES**  
A VINYL FLOORING TO BE INSTALLED AT 45° FROM THE ROOM AXIS. DETERMINE STARTING POINT FOR EACH ROW/SO AS TO MAINTAIN A MINIMUM 12" LONG PIECE AT EDGES.

**GENERAL NOTES**  
1. ELECTRICAL OUTLETS IN ADJACENT ROOMS OF THE SAME TYPE SHALL BE OFFSET A MAXIMUM OF 8" & SEP. BY STD. TYPES.  
2. REFER TO BUILDING PLANS FOR LOCATION OF GUEST ROOM TYPES.  
3. ALL PLANDIMENSIONS ARE TO FACE OF STD.  
4. REF. A410 THRU A412 FOR BATHROOM FINISHES.  
REFERENCE FINISH SELECTION BOOK FOR PAINT AND MATERIAL LEGEND. XX  
A FOR FEE (VAGST...) SCHEDULE SEE VIBRANT DESIGN SCHEME MANUAL  
B REFER A-801 FOUR PARTITION TYPES

FF&E SCHEDULE	
1	GUESTROOM CARPET
2	GUESTROOM CARPET PAD
3	GUESTROOM CARPET BASE
4	GUESTROOM BATH RESILIENT TILE
BEDDING / DRAPEY (100)	
5	COVERLET FABRICATION - DD
6	COVERLET FABRICATION - QLEEN
7	COVERLET FABRICATION - KINGS
8	COVERLET FABRIC
9	BED THROW FABRICATION DOUBLE
10	BED THROW FABRICATION QUEEN
11	BED THROW FABRICATION KING
12	BEDSKIRT FABRICATION DOUBLE
13	BEDSKIRT FABRICATION QUEEN
14	BEDSKIRT FABRICATION KING
15	BEDSKIRT FABRIC
16	MATTRESS AND BOXSPRING KINGS
17	MATTRESS AND BOXSPRING DOUBLE
18	MATTRESS AND BOXSPRING QUEEN
19	MATTRESS AND BOXSPRING KING ADA
20	MATTRESS AND BOXSPRING KING ADA
21	MATTRESS AND BOXSPRING DOUBLE ADA
22	MATTRESS AND BOXSPRING DOUBLE ADA
23	MATTRESS AND BOXSPRING QUEEN ADA
24	MATTRESS AND BOXSPRING QUEEN ADA
25	MATTRESS AND BOXSPRING QUEEN ADA
26	MATTRESS AND BOXSPRING QUEEN ADA
27	ROMAN SHADE & ROLLER SHADE
28	AAA SLICE SHADE AT ACCESSIBLE ROOMS
29	NOT USED
30	SHEER AT FREQUENT DOOR - NOT USED
31	SHEER FABRIC - NOT USED
32	NECK ROLL FLOW
CASEGOODS (200)	
33	DRESSER
34	DRESSER WITH/OUT TOP - NOT USED
35	HEARBOARD-00
36	HEARBOARD-QUEEN
37	HEARBOARD-KING
38	NIGHTSTAND-000
39	NIGHTSTAND-KINGS
40	DESK
41	DESK ON OASTERS
42	MICROFRIDGE CABINET/DRESSER
43	MICROFRIDGE CABINET/DRESSER W/O TOP - OVAL COFFEE TABLE
44	SMALL DRESSER - NOT USED
45	MICROFRIDGE CABINET - NOT USED
46	END TABLE
47	DESK PEDESTAL - NOT USED
48	DINNING TABLE - NOT USED
49	HEARBOARD QUEEN
50	LARGE DESK (80")
51	WALL DESK
52	COFFEE TABLE W/OASTERS @ KING
53	VANITY
54	VANITY BASE ADA
CASEGOODS (300)	
55	TASK DESK CHAIR
56	SOFA SLEEPER
57	SOFA SLEEPER FABRIC
58	LOUNGE CHAIR
59	LOUNGE CHAIR FABRIC
60	SOE CHAIR
61	SOE CHAIR FABRIC
62	RECLINER - NOT USED
63	RECLINER FABRIC - NOT USED
64	CHAISELONGE OR OPTIONAL SLEEPER SOFA
LAMPS / LIGHTING (400)	
65	BEDSIDE LAMP
66	NOT USED
67	BATH CEILING FIXTURE
68	VANITY LIGHT AT BATH
69	FLOOR LAMP
70	VANITY LIGHT AT BATH ADA
71	TABLE LAMP
72	CEILING LIGHT AT ENTRY
73	DESK LAMP - TALL
74	ENTRY SCENE - NOT USED
75	FLOOR LAMP W/O TABLE - NOT USED
76	SCENE
77	DESK LAMP SHORT
78	TASK LAMP AT WALL DESK

FF&E SCHEDULE (CONTINUED)	
ART / MIRRORS (500)	
79	FRAMED ARTWORK IN GUESTROOM
80	FRAMED ARTWORK IN GUESTROOM-NOT USED
81	FULL LENGTH MIRROR
82	VANITY MIRROR
83	ARTIST MIRROR
84	VANITY MIRROR - ADA
GUESTROOM MISC (600)	
85	MICRO FRIDGE UNIT
86	MICROWAVE
87	REFRIGERATOR
88	32" FLAT PANEL TV
89	TV SWIVEL WALL MOUNT
90	COFFEE MAKER
91	COFFEE MAKER
92	CD/RADIO
93	BEDSIDE TELEPHONE
94	SPEAKER TELEPHONE
95	HAIR DRYER
96	TOILET PAPER HOLDER
97	SHOWER CURTAIN ROD
98	TOWEL BAR
99	DECORATIVE TOWEL SHELF
100	FASCIAL TISSUE DISPENSER
101	ROBE HOOK
102	ROBE HOOK
103	SLIT HAMMER NAIL HOOK
104	SLIT HAMMER NAIL HOOK
105	SHURGLAGE RACK
106	IRON
107	IRON BOARD & HOOK
108	PLAC
109	PLAC DIRECTOR
110	COAT CLOSET ROD W/O SHELF
111	COAT CLOSET ROD W/ SHELF
112	GUESTROOM DOOR LOCK
WALLCOVERING (800)	
113	NOT USED
KEY SCHEDULE	
1	CARPET PAD & BASE
2	TEXTURE DRYWALL - REFER TO FINISH SCHEDULE
3	CLOTHES ROD
4	THRU - WALL AIR CONDITIONING UNIT ROUGH OPENING 3"
5	REINFORCING BLOCKING IN WALL
6	TEXTURED CEILING - REFER TO FINISH SCHEDULE
7	DOOR MOUNTED DOOR STOP
8	WALL MOUNTED DOOR STOP
9	DECORATIVE WOOD MOLDINGS
10	2 PANEL METAL DOOR AND FRAME - PAINTED REFER TO DOOR SCHEDULE FOR HARDWARE
11	NOT USED
12	GYPSUM BOARD RETURN AT HEAD, JAMB & SILL
13	TELEPHONE DATA DUPLEX HOUSINGS
14	TELEVISION OUTLET #2 - CAT5 OUTLETS NA SINGLE 7" BOX REFER TO FLOOR PLANS AND ELEVATIONS FOR DIMENSIONS AND LOCATION
15	TELEPHONE OUTLET REFER TO FLOOR PLANS AND ELEVATIONS FOR DIMENSIONS AND LOCATION
16	LIGHT SWITCH REFER TO FLOOR PLANS AND ELEVATIONS FOR DIMENSIONS AND LOCATION. ILLUMINATED SWITCH AT ENTRY AND BATHROOM
17	CONNECTING DOORS - SEE BUILDING PLAN FOR LOCATION
18	280V. OUTLET - REFER TO ELECTRICAL PLANS FOR MORE INFORMATION. ALWAYS LOCATE TO LEFT OF PLAC
19	DUPLEX OUTLET - INSTALL HORIZONTALLY AT NIGHTSTANDS
20	QUAD OUTLET
21	MOUNTING HEIGHT OF HEARBOARD, NIGHTSTAND/WALL LAMP(S) BASED ON LOW PROFILE BOXSPRING
22	T-SHIRT HEIGHT IS 48" IN HANDICAPPED ACCESSIBLE ROOMS AND 60" IN TYPICAL ROOMS

**DAMMON ENGINEERING INC.**  
 CHIEF ENGINEER: EMMETT DAMMON, P.E.  
 554 OLD SPANISH TRAIL  
 SUDELL, LA 70458  
 dammonengr.com  
 dammoneng@bellsouth.net  
 PHONE: 935-649-5832  
 FAX: 935-641-5950

LAQUINTA INNS & SUITES  
 HATTIESBURG, MISSISSIPPI

2158	JTL	12-11-2012
------	-----	------------

REVISIONS	DATE
# DESCRIPTION	

HANDICAP DOUBLE QUEEN DETAILS  
 SHEET NO: A15