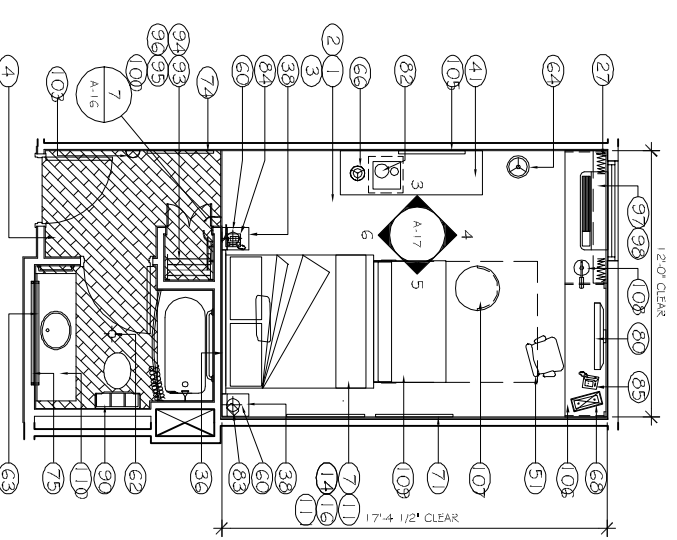
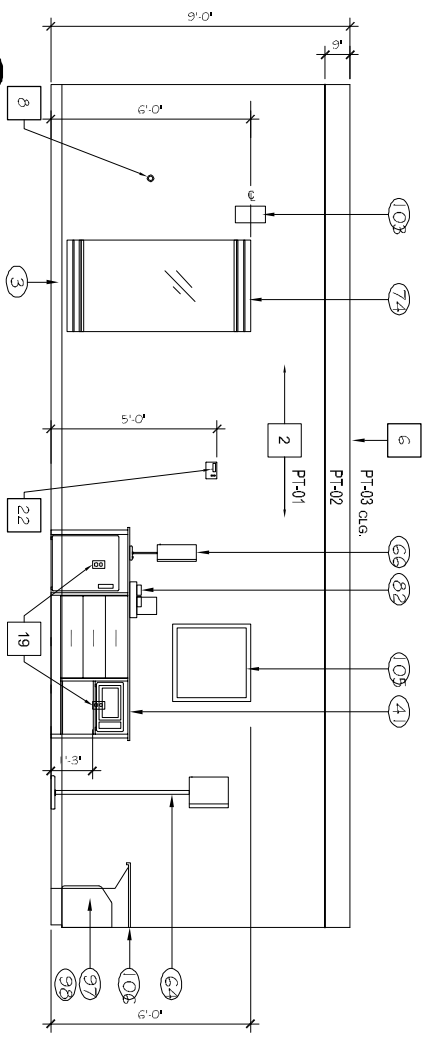


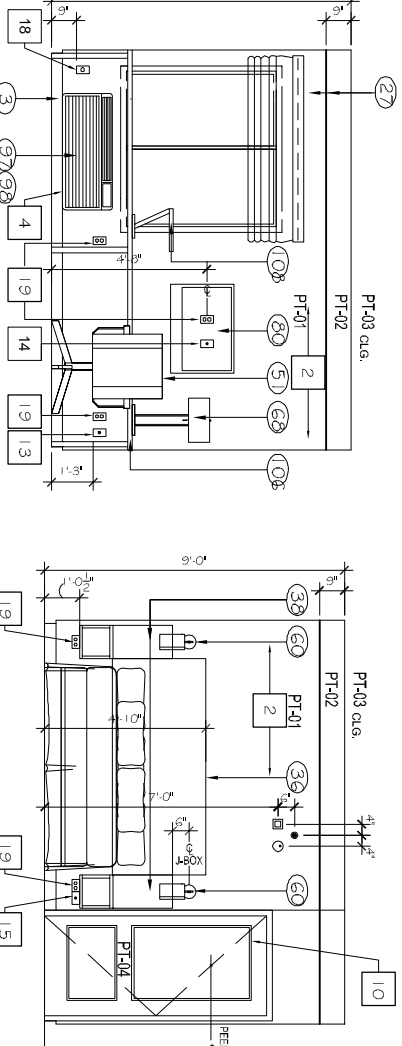
**DIMENSIONAL CONTROL PLAN**  
SCALE: 1/4" = 1'-0"



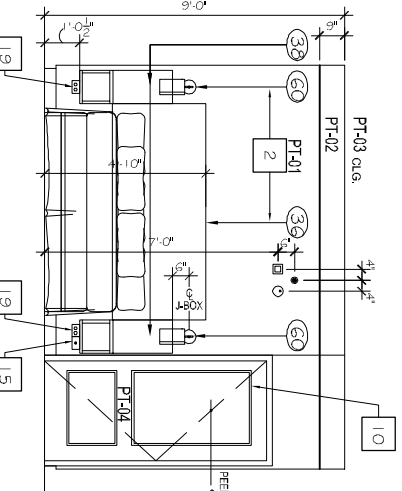
**FURNITURE PLAN**  
SCALE: 1/4" = 1'-0"



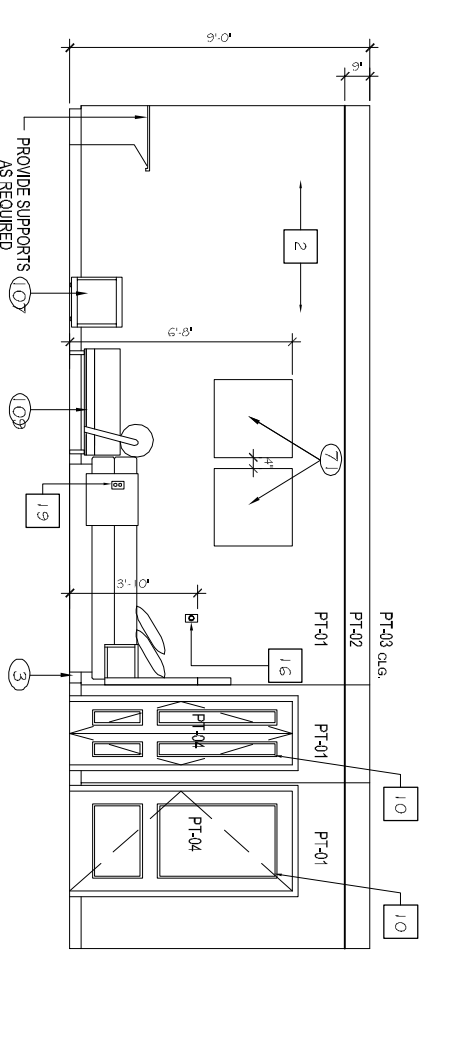
**3 GUESTROOM ELEVATION**  
SCALE: 3/8" = 1'-0"



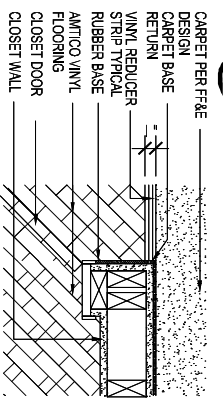
**4 GUESTROOM ELEVATION**  
SCALE: 3/8" = 1'-0"



**6 GUESTROOM ELEVATION**  
SCALE: 3/8" = 1'-0"



**5 GUESTROOM ELEVATION**  
SCALE: 3/8" = 1'-0"



**BASE TRANSITION DETAIL**  
SCALE: 1/8" = 1'-0"  
(SEE CARPET AND VINYL FLOORING SCHEDULE FOR ALL QUESTIONS)

DRAWING NOTES	
A.	VINYL FLOORING TO BE INSTALLED AT 45° FROM THE ROOM AXIS. DETERMINE STARTING POINT FOR EACH ROW SO AS TO MAINTAIN A MINIMUM 1/2" LONG PIECE AT EDGES.
<b>GENERAL NOTES</b>	
1.	ELECTRICAL OUTLETS IN ADJACENT ROOMS OF THE SAME TYPE SHALL BE OFFSET A MAXIMUM OF 8" & SEP. BY STUD TYPES.
2.	REFER TO BUILDING PLANS FOR LOCATION OF GUEST ROOM CLOSET DOOR.
3.	ALL PLAN DIMENSIONS ARE TO FACE OF STUD.
4.	REF. A410 THRU A412 FOR BATHROOM FINISHES.
REFERENCE FINISH SELECTION BOOK FOR	
PAINT AND MATERIAL LEGEND.	
A.	FOR FFE (V.GST...), SCHEDULE SEE VIBRANT
B.	REFER A408 FOR PARTITION TYPES

FFR E SCHEDULE	
(1)	CARPET / FLOORING (00)
(2)	GUESTROOM CARPET
(3)	GUESTROOM CARPET PAD
(4)	GUESTROOM BATH RESILIENT TILE
BEDDING / DRAPERY (100)	
(5)	COVERLET FABRICATION - DD
(6)	COVERLET FABRICATION - QUEEN
(7)	COVERLET FABRICATION - KING
(8)	COVERLET FABRIC
(9)	BED THROW FABRICATION DOUBLE
(10)	BED THROW FABRICATION QUEEN
(11)	BED THROW FABRICATION KING
(12)	BESKINF FABRICATION DOUBLE
(13)	BESKINF FABRICATION QUEEN
(14)	BESKINF FABRICATION KING
(15)	BESKINF FABRIC
(16)	MATTRESS AND BOXSPRING KINGS
(17)	BED BASE KING
(18)	MATTRESS AND BOXSPRING DOUBLE
(19)	BED BASE DOUBLE
(20)	MATTRESS AND BOXSPRING KING-ADA
(21)	BED BASE KING ADA
(22)	MATTRESS AND BOXSPRING DOUBLE-ADA
(23)	BED BASE DOUBLE ADA
(24)	MATTRESS AND BOXSPRING QUEEN
(25)	BED BASE QUEEN
(26)	MATTRESS AND BOXSPRING QUEEN-ADA
(27)	ROOM SHADE & ROLLER SHADE
(28)	AVA SLEEVE SHADE AT ACCESSIBLE ROOMS
(29)	SHEER AT FRENCH DOOR - NOT USED
(30)	SHEER FABRIC - NOT USED
(31)	SHEER FABRIC - NOT USED
(32)	NECK ROLL PILLOW
CASEGOODS (200)	
(33)	DRESSER
(34)	DRESSER WITHOUT TOP - NOT USED
(35)	HEADBOARD - DD
(36)	HEADBOARD - QUEEN
(37)	HEADBOARD - KING
(38)	NIGHTSTANDING
(39)	NIGHTSTANDING
(40)	DESK
(41)	DESK ON CASTERS
(42)	MICROFRIDGE CABINET/DRESSER
(43)	MICROFRIDGE CABINET/DRESSER W/O TOP - NOT USED
(44)	SMALL DRESSER - NOT USED
(45)	MICROFRIDGE CABINET - NOT USED
(46)	END TABLE
(47)	DESK PEDESTAL - NOT USED
(48)	DINING TABLE - NOT USED
(49)	HEADBOARD QUEEN
(50)	LARGE DESK (60")
(51)	WALL DESK
(52)	COFFEE TABLE W/CASTERS @ KING
(53)	VANITY BASE
(54)	VANITY BASE-ADA
CASEGOODS (300)	
(55)	TASK (DESIG) CHAIR
(56)	SOFA SLEEPER
(57)	SOFA SLEEPER FABRIC
(58)	LOUNGE CHAIR
(59)	LOUNGE CHAIR FABRIC
(60)	SIDE CHAIR
(61)	SIDE CHAIR FABRIC
(62)	RECLINER - NOT USED
(63)	RECLINER FABRIC - NOT USED
(64)	CHAISELONGUE OR OPTIONAL SLEEPER SOFA
(65)	CHAISELONGUE OR OPTIONAL SLEEPER SOFA
LAMPS / LIGHTING (400)	
(66)	BESIDE LAMP
(67)	NOT USED
(68)	BATH CEILING PICTURE
(69)	VANITY LIGHT AT BATH
(70)	FLOOR LAMP
(71)	VANITY LIGHT AT BATH-ADA
(72)	TABLE LAMP
(73)	CEILING LIGHT AT ENTRY
(74)	DESK LAMP-TALL
(75)	ENTRY SCONCE - NOT USED
(76)	FLOOR LAMP W/O TABLE - NOT USED
(77)	SIDE SCONCE
(78)	DESK LAMP-SHORT
(79)	TASK LAMP AT WALL DESK

FFR E SCHEDULE (CONTINUED)	
(80)	ART / MIRRORS (900)
(81)	FRAMED ARTWORK IN GUESTROOM
(82)	FRAMED ARTWORK IN GUESTROOM NOT USED
(83)	FRAMED ARTWORK IN GUESTROOM NOT USED
(84)	FULL LENGTH MIRROR
(85)	VANITY MIRROR
(86)	ARTIST MIRROR
(87)	VANITY MIRROR - ADA
(88)	VANITY MIRROR - ADA
GUESTROOM MSC (800)	
(89)	MICRO-FRIDGE UNIT
(90)	MICROFRIDGE
(91)	REFRIDGERATOR
(92)	32" FLAT PANEL TV
(93)	TV SWIVEL WALL MOUNT
(94)	CLOCK MAKER
(95)	CLOCK RADIO
(96)	BESIDE TELEPHONE
(97)	SPEAKER TELEPHONE
(98)	HAIR DRYER
(99)	TOILET PAPER HOLDER
(100)	SHOWER CURTAIN ROD
(101)	TOWEL BAR
(102)	DECORATIVE TOWEL SHELF
(103)	RASHEL ISSUE DISPENSER
(104)	ROBE HOOK
(105)	SURF HANGER MINI HOOK
(106)	SKIRT HANGER MINI HOOK
(107)	LUGGAGE RACK
(108)	IRON IRON BOARD & HOOK
(109)	PTAC
(110)	PTAC DIRECTOR
(111)	COAT CLOSET ROD W/O SHELF
(112)	COAT CLOSET ROD W/ SHELF
(113)	GUESTROOM DOOR LOCK
WALLCOVERING (800)	
(114)	NOT USED
KEY SCHEDULE	
(1)	CARPET PAD & BASE
(2)	TEXTURE DRYWALL - REFER TO FINISH SCHEDULE
(3)	CLOTHES ROD
(4)	THRU - WALL AIR CONDITIONING UNIT ROUGH OPENING 3' 6" x 18" x 4' 1/4" MIN
(5)	REINFORCING BLOCKING IN WALL
(6)	TEXTURED CEILING - REFER TO FINISH SCHEDULE
(7)	DOOR MOUNTED DOOR STOP
(8)	WALL MOUNTED DOOR STOP
(9)	DECORATIVE WOOD MOLDING
(10)	2 PANEL METAL DOOR AND FRAME - PAINTED - REFER TO DOOR SCHEDULE TESA LOOK HARDWARE
(11)	NOT USED
(12)	GYPSUM BOARD RETURN AT HEAD, JAMB & SILL
(13)	TELEPHONE DATA DUPLEX HOUSING
(14)	TELEVISION OUTLET # 2 - CONDUIT PULL
(15)	TELEPHONE OUTLET # 2 - CAT5 OUTLETS IN A SINGLE 7" BOX REFER TO FLOOR PLANS AND ELEVATIONS FOR DIMENSIONS AND LOCATION
(16)	TELEPHONE OUTLET # 2 - CAT5 OUTLETS IN A SINGLE 7" BOX REFER TO FLOOR PLANS AND ELEVATIONS FOR DIMENSIONS AND LOCATION
(17)	TELEPHONE OUTLET # 2 - CAT5 OUTLETS IN A SINGLE 7" BOX REFER TO FLOOR PLANS AND ELEVATIONS FOR DIMENSIONS AND LOCATION
(18)	208V. OUTLET - REFER TO ELECTRICAL PLANS FOR MORE INFORMATION. ALWAYS LOCATE TO LEFT OF PTAC.
(19)	DUPLEX OUTLET - INSTALL HORIZONTALLY AT NIGHTSTANDS.
(20)	QUAD OUTLET
(21)	MOUNTING HEIGHT OF HEADBOARD, NIGHTSTAND AND WALL LAMP(S) BASED ON LOW PROFILE BOXSPRING.
(22)	T-SHIRT HEIGHT IS 48" IN HANDICAPPED ACCESSIBLE ROOMS AND 60" IN TYPICAL ROOMS.

SHEET NO: <b>A16</b>	KING SUITE DETAILS	REVISIONS	DATE	LAQUINTA INNS & SUITES	HATTIESBURG, MEGACOFF	2158	12-11-2012	JTL
		#	DESCRIPTION					

CHIEF ENGINEER: EMMETT DAMMON, P.E.  
554 OLD SPANISH TRAIL  
SUDELL, LA 70450

dammoneng@bellsouth.net  
PHONE: 505-649-5032  
FAX: 505-641-5950