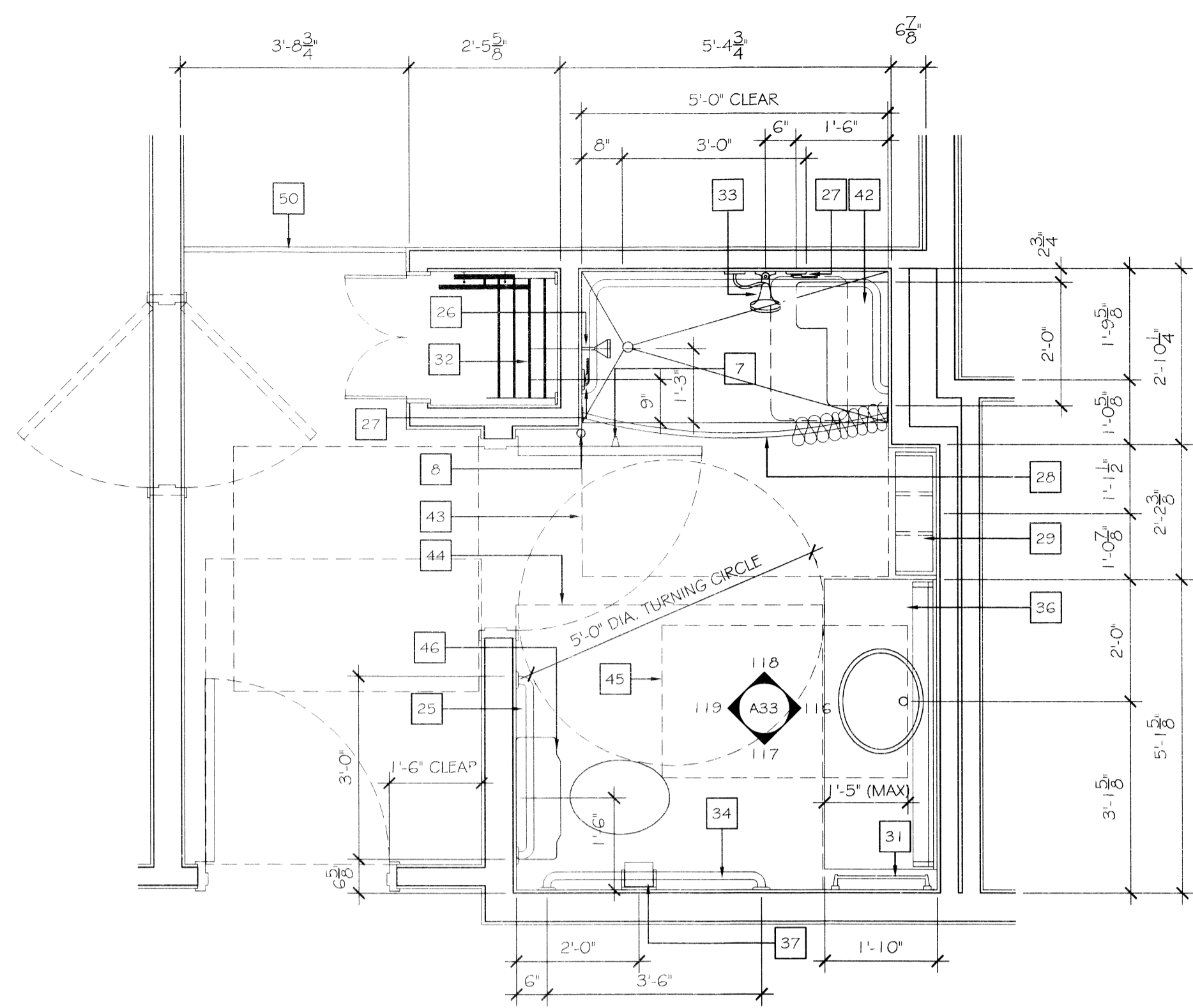
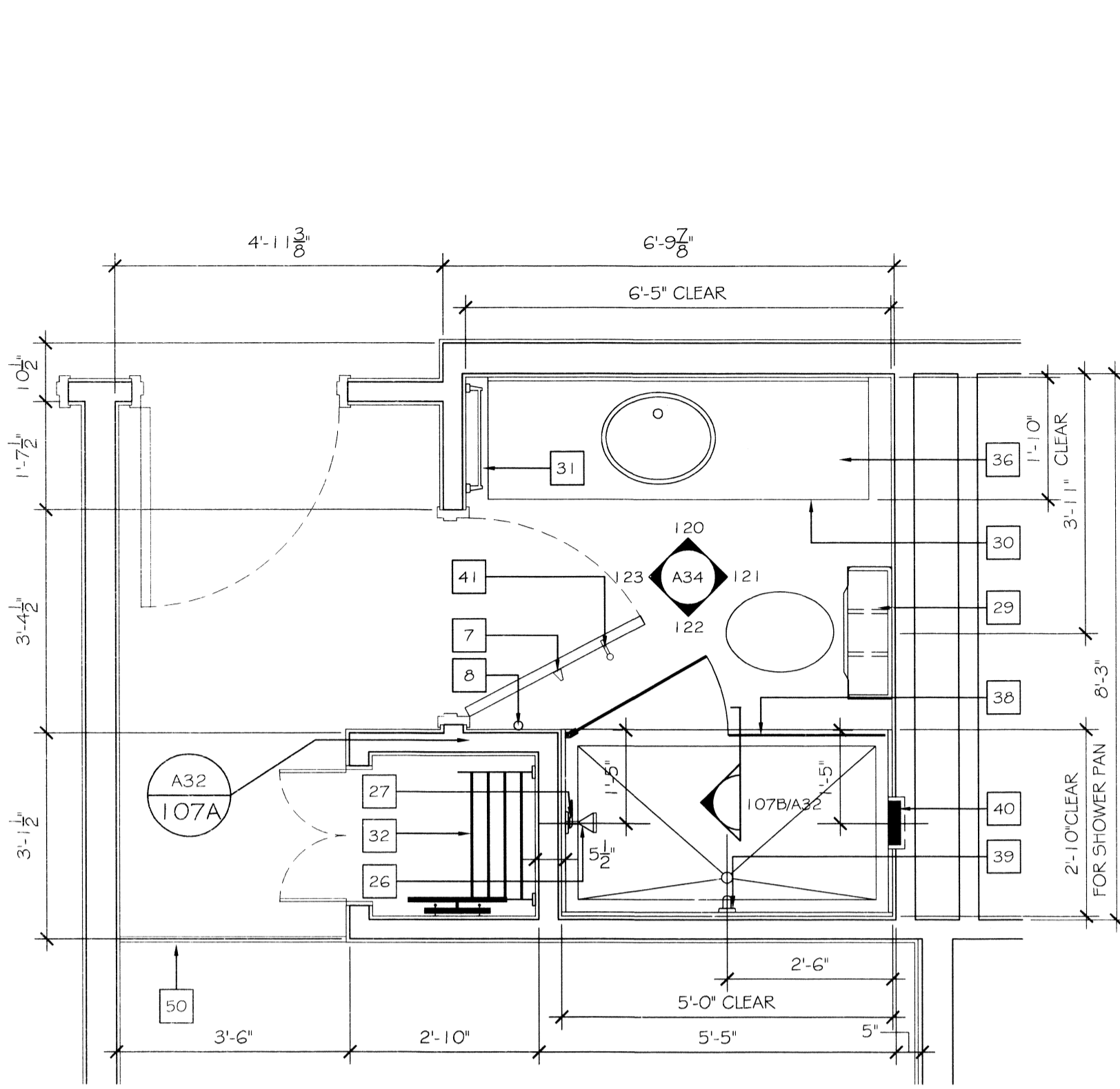


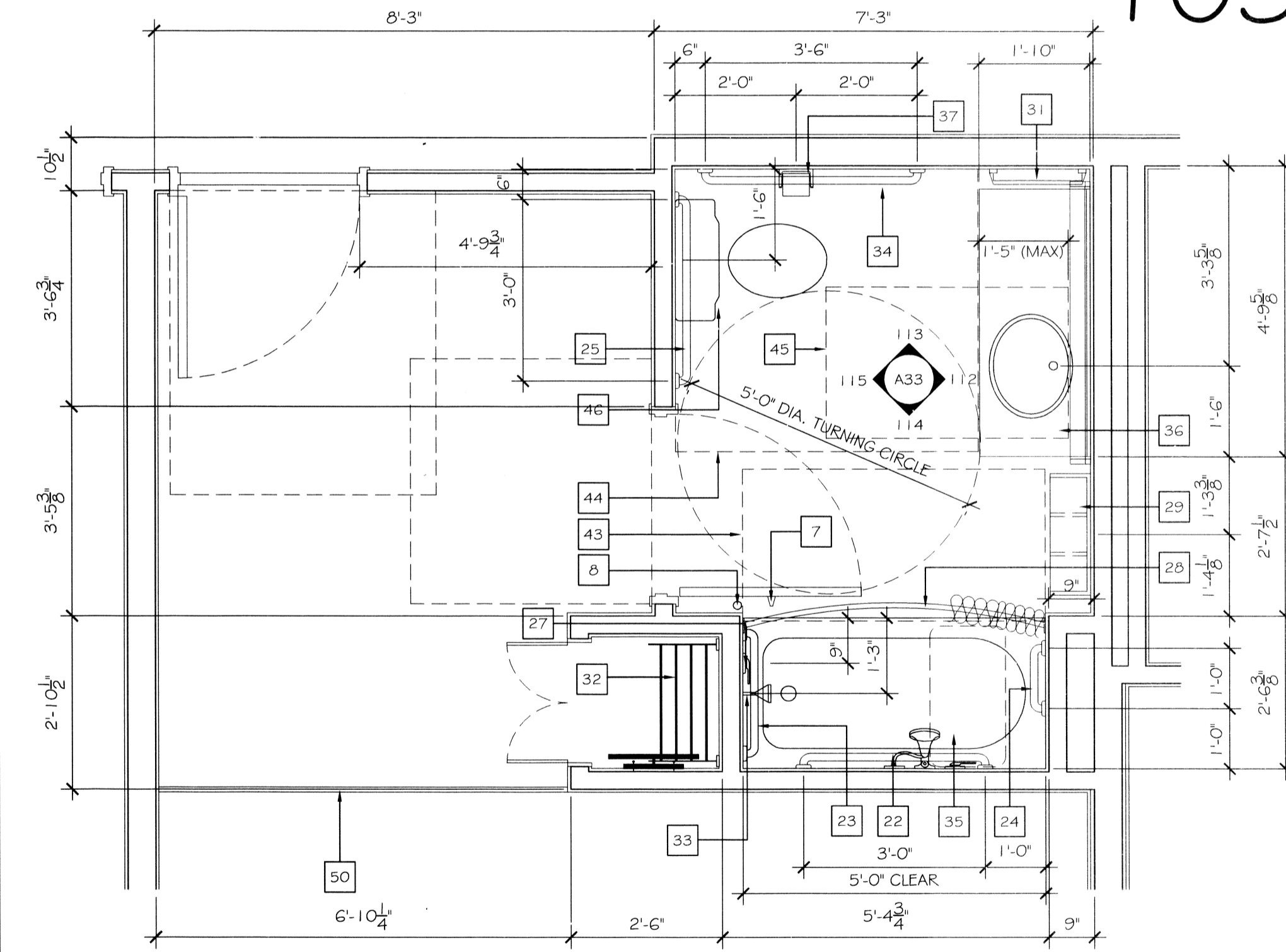
102 DOUBLE QUEEN BATH w/ TUB
SCALE: 1/2" = 1'-0"



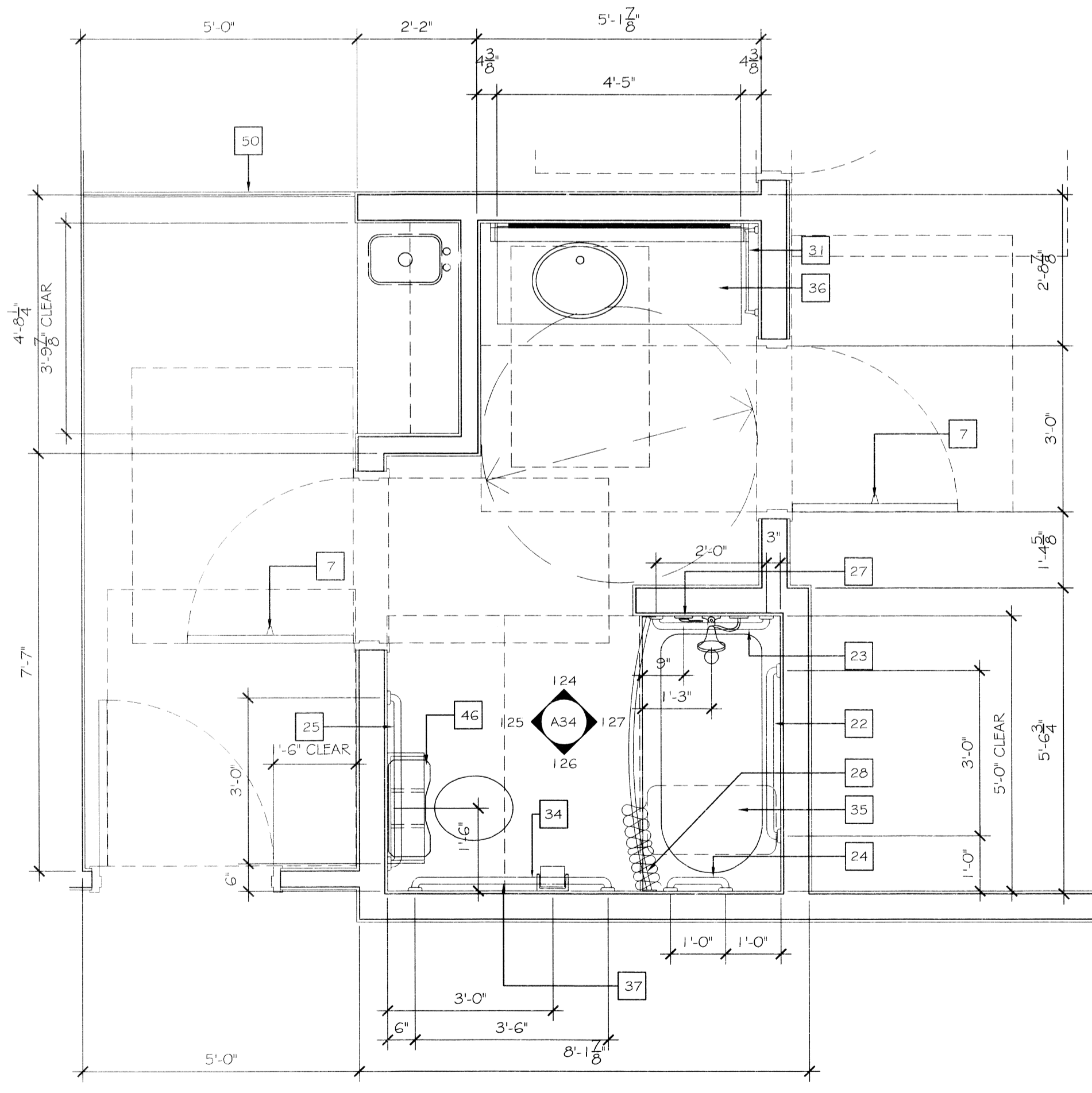
103 DOUBLE QUEEN ACCESSIBLE BATH w/ ROLL-IN SHOWER
SCALE: 1/2" = 1'-0"



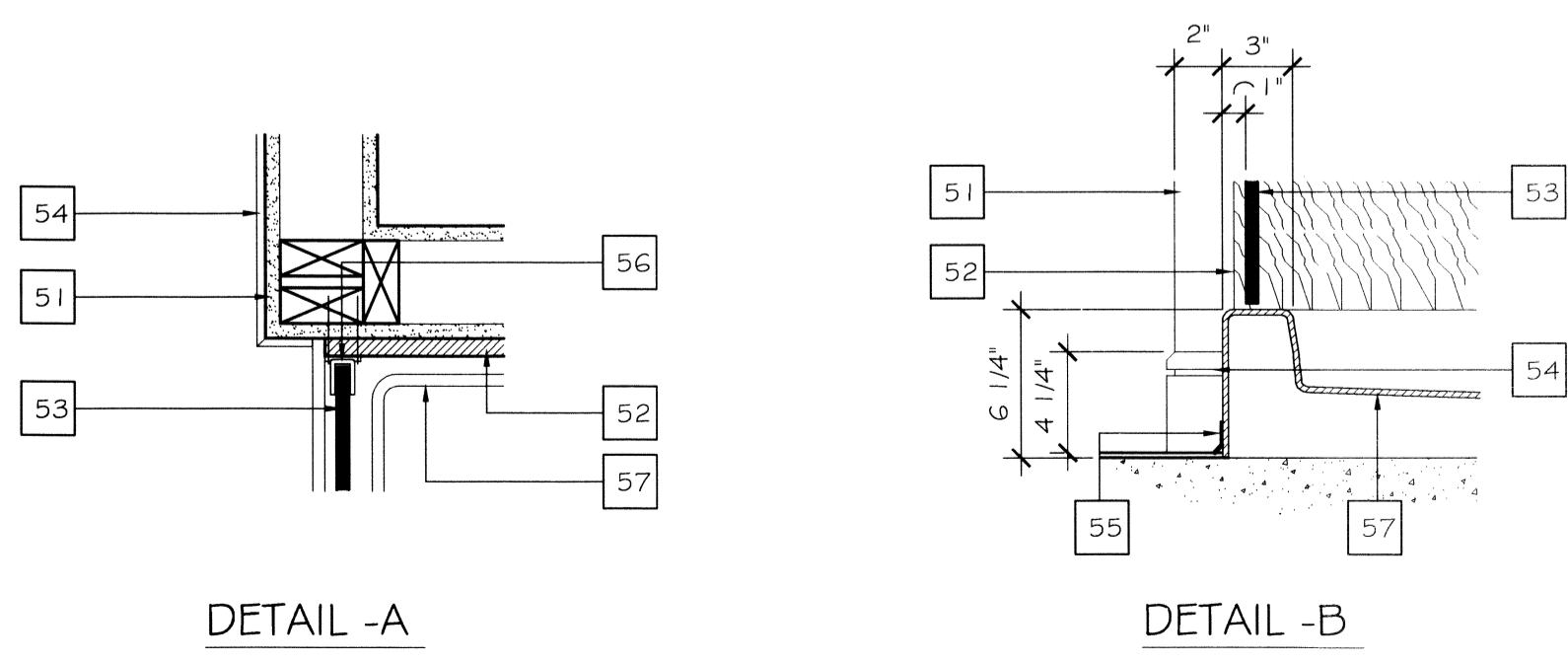
104 KING BATH w/ WALK-IN SHOWER
SCALE: 1/2" = 1'-0"



105 KING ACCESSIBLE BATH w/ TUB
SCALE: 1/2" = 1'-0"



106 ACCESSIBLE BATH @ 2-ROOM SUITE
SCALE: 1/2" = 1'-0"



107 DETAILS AT WALK-IN SHOWER
SCALE: 1/2" = 1'-0"

KEY SCHEDULE	
1	CARPET PAD & BASE
2	TEXTURE DRYWALL - PER SELECTED INTERIOR SCHEME
3	CLOTHES ROD
4	THRU - WALL AIR CONDITIONING UNIT ROUGH OPENING 3' 6-1/8"X1' 4-1/4" MIN.
5	REINFORCING BLOCKING IN WALL
6	TEXTURED CEILING - PER SELECTED INTERIOR SCHEME
7	DOOR MOUNTED DOOR STOP
8	WALL MOUNTED DOOR STOP
9	DECORATIVE WOOD MOULDING
10	6 PANEL METAL DOOR AND FRAME - PAINTED, REFER TO DOOR SCHEDULE. TESA LOCK HARDWARE
11	DOOR AS SCHEDULED
12	GYPSUM BOARD RETURN AT HEAD, JAMB & SILL
13	TELEPHONE/ DATA DUPLEX HOUSING, PROVIDE 3/4" CONDUIT FULL
14	TELEVISION OUTLET, REFER TO FLOOR PLANS AND ELEVATIONS FOR DIMENSIONS AND LOCATION
15	TELEPHONE OUTLET, REFER TO FLOOR PLANS AND ELEVATIONS FOR DIMENSIONS AND LOCATION
16	LIGHT SWITCH, REFER TO FLOOR PLANS AND ELEVATIONS FOR DIMENSIONS AND LOCATION. ILLUMINATED SWITCH AT ENTRY AND BATHROOM
17	CONNECTING DOORS. SEE BUILDING PLAN FOR LOCATION
18	208V. OUTLET, REFER TO ELECTRICAL PLANS FOR MORE INFORMATION
19	DUPLEX OUTLET
20	QUAD OUTLET
21	MOUNTING HEIGHT OF HEADBOARD, NIGHTSTAND WALL LAMP(S) BASED ON LOW PROFILE BOXSPRING
22	2 - 36" GRAB BARS, 1 @ 34" A.F.F., 1 @ 8" ABOVE TUB TO CENTERLINE
23	24" GRAB BAR @ 34" A.F.F. TO CENTERLINE
24	12" GRAB BAR @ 34" A.F.F. TO CENTERLINE
25	36" GRAB BAR @ 34" A.F.F. TO CENTERLINE
26	STANDARD SHOWER HEAD @ 80" A.F.F.
27	SHOWER CONTROL LEVER
28	CURVED SHOWER ROD @ 80" A.F.F. w/ CURTAIN
29	TOWEL RACK
30	TOILET TISSUE HOLDER MOUNTED UNDER VANITY TOP IN MILLWORK
31	TOWEL BAR @ 48" A.F.F.
32	CLOSET SHELF @ 72" A.F.F. (52" MAX @ ACCESSIBLE ROOMS)
33	HAND HELD SHOWER WAND w/ VERTICAL MOUNTING BAR
34	42" GRAB BAR @ 34" A.F.F. TO CENTERLINE
35	REMOVABLE SHOWER SEAT
36	GRANITE / CULTURED STONE VANITY TOP (w/ ACCESSIBLE KNEE CLEARANCES BELOW @ ACCESSIBLE ROOMS). RE: 7/A4.1.3
37	WALL MOUNTED (SURFACE) TOILET TISSUE HOLDER
38	TEMPERED GLASS SHOWER ENCLOSURE w/ DOUBLE SWING DOOR, HINGES AND LATCH
39	24" VERTICAL GRAB BAR MOUNTED AT 34" A.F.F. TO CENTERLINE
40	8" x 8" x 3" DEEP RECESSED SOAP DISH, CULTURED MARBLE TO MATCH SHOWER SURROUND @ 42" A.F.F.
41	DOOR MOUNTED BUMPER / PROTECTOR w/ RUBBER TIP MOUNTED TO MEET GLASS SHOWER DOOR BEFORE BATHROOM DOOR IMPACTS GLASS SHOWER DOOR
42	WALL MOUNTED FOLD UP SHOWER SEAT @ 18" A.F.F. TO SEAT
43	30"x60" CLEAR FLOOR SPACE AT TUB
44	60"x56" CLEAR FLOOR SPACE AT TOILET
45	30"x48" CLEAR FLOOR SPACE AT LAVATORY
46	FLUSH LEVER ON ACCESSIBLE SIDE OF TANK
47	GRANITE COUNTER TOP w/ CABINET, SEE SHEET A406 FOR ELEVATIONS
48	UNDERMOUNT SINK AND FAUCET, SEE SHEET A406 FOR ELEVATIONS
49	2" THICK WALL AT SHOWER (BY ROTATING THE STUDS PARALLEL TO GYPSUM BOARD) TO ACCOMMODATE ADDITIONAL REQUIRED DEPTH OF SHOWER PAN
50	VINYL REDUCER STRIP AT CARPET / AMTICO VINYL TRANSITION
51	PARTITION WALL TYPICAL
52	CULTURED STONE OR GRANITE TUB SURROUND, TYPICAL
53	GLASS SHOWER DOOR AND PARTITION
54	VINYL BASE BEYOND, TYPICAL
55	VINYL TUB TRIM STRIP
56	GLASS SHOWER DOOR HINGES, ANCHOR HINGES THRU TUB SURROUND IN TO WALL FRAMING
57	ACRYLIC SHOWER RECEPTOR, TYPICAL
58	3/4" PLYWOOD CUBBY WITH ALDER SOLID WOOD EDGE, PAINTED AS SPECIFIED, ANCHORED TO THE ADJACENT WALL & BLOCKING ABOVE
59	TOILET TISSUE PAPER HOLDER, AS SPECIFIED
60	LINE OF VANITY ABOVE

GENERAL NOTES	
1.	ELECTRICAL OUTLETS IN ADJACENT ROOMS OF THE SAME TYPE SHALL BE OFFSET A MAXIMUM OF 8" SEP. BY STUD.
2.	REFER TO BUILDING PLANS FOR LOCATION OF GUEST ROOM TYPES
3.	ALL PLAN DIMENSIONS ARE TO FACE OF STUD
REFERENCE FINISH SELECTION BOOK FOR PAINT AND MATERIAL LEGEND. (XX)	

NOTE: PLAN DIMENSIONS SHOWN ON THIS DRAWING ARE TO FACE OF FINISH WALLS UNLESS NOTED OTHERWISE.

SEE F.F.E. SCHEDULE PER SELECTED INTERIOR DESIGN SCHEME, REFER TO A-16 FOR PARTITION TYPES

LAQUINTA INNS & SUITES

DAMMON ENGINEERING, INC. Architects & Engineers

507 CONSTRUCTION BLVD WESTLAKE LA 91361-7122

JOB No: 2196 DATE: 02-03-2014 CHECKED BY: CKD

DRAWN BY: JTL

CHIEF ENGINEER: BRIAN WITTECH, P.E. DAMMON@DAMMON.COM PHONE: 955-649-5832 554 OLD SPANISH TRAIL SUITE 100 LA 70458 FAX: 955-641-5950

REVISIONS

ENLARGED GUESTROOM BATH PLANS

SHEET No: 40 OF 53

A32