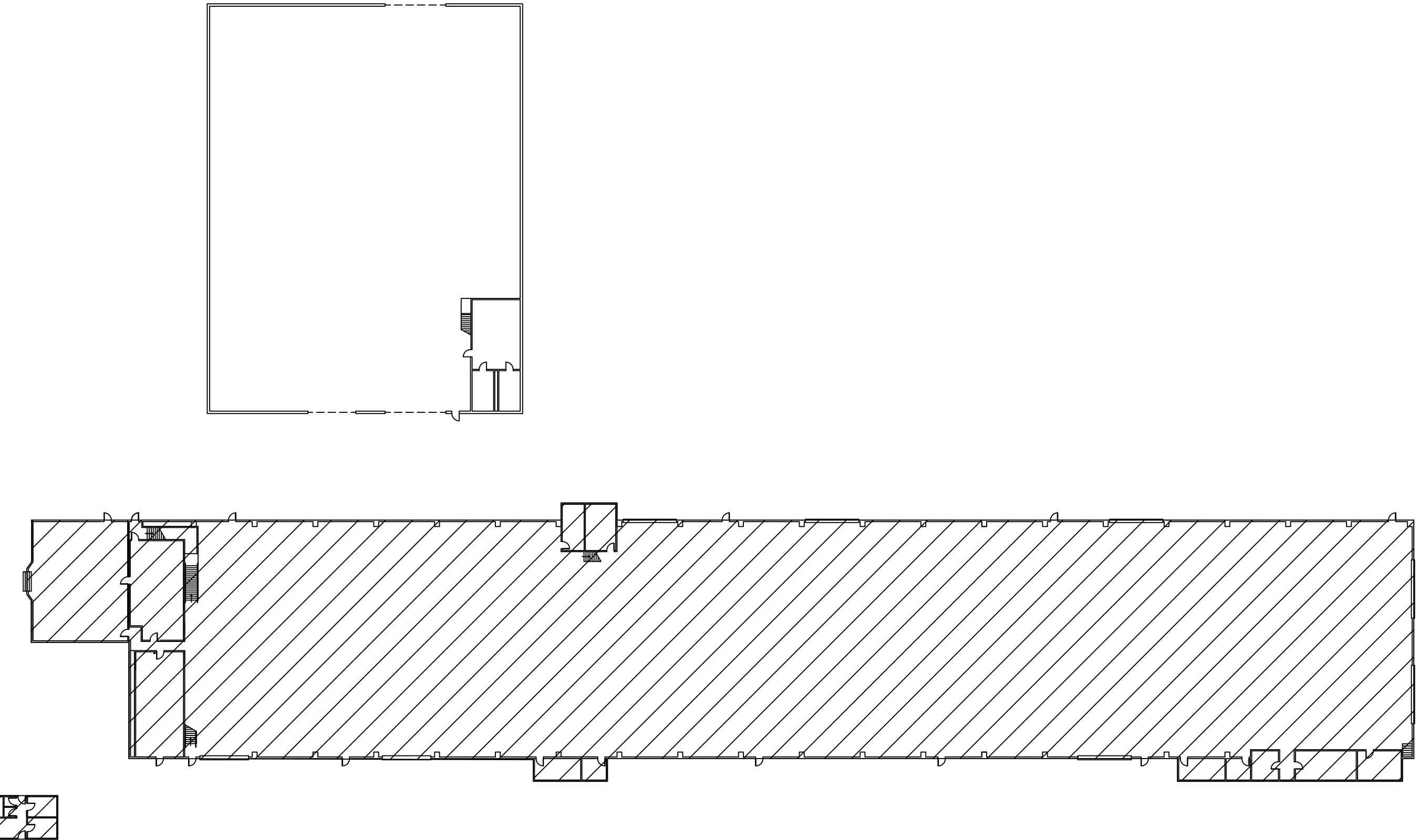
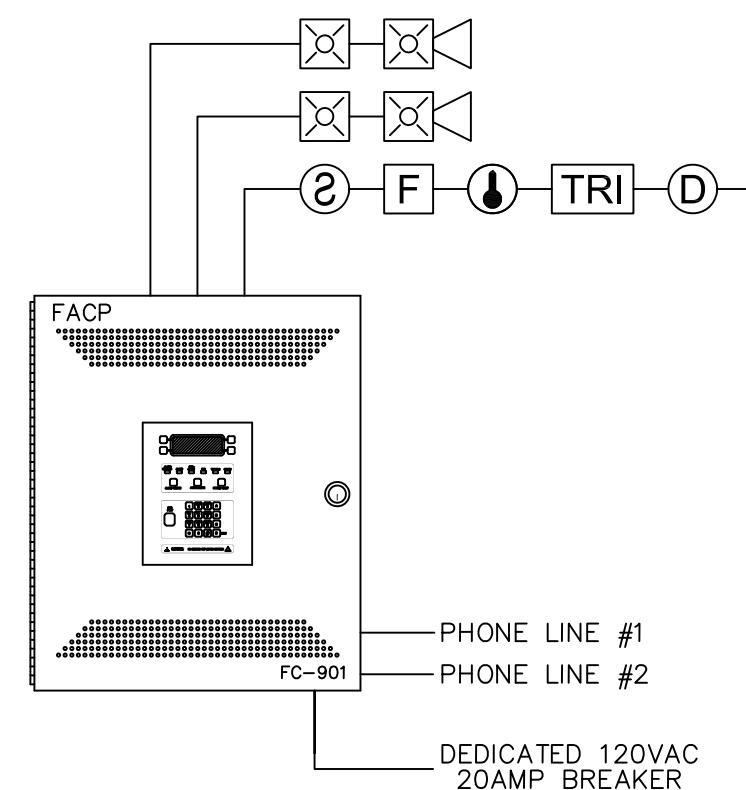


ADVANCED SINTER METAL TECHNOLOGIES

SLIDELL, LA



SITE PLAN
N.T.S.



FC901 DEVICE LEGEND				
SYM	DESCRIPTION	MODEL	BACK BOX	MTG. HEIGHT
[FACP]	FIRE ALARM CONTROL PANEL	FC901	(SUPPLIED BY PRIORITY SYSTEMS)	66" TO TOP
[FV]	FIRE ALARM VOICE PANEL	SP 40/2	(SUPPLIED BY PRIORITY SYSTEMS)	66" TO TOP
[SE]	SIGNAL EXTENDER	PAD-3	(SUPPLIED BY PRIORITY SYSTEMS)	66" TO TOP
[FAP]	FIRE ALARM ANNUNCIATOR PANEL	FS0901-US	4" SQUARE	66" TO TOP
[MPS]	MANUAL PULL STATION	HMS-S	SSL GANG 3 1/2" DEEP	48" A.F.F. TO CENTER
[SD]	SMOKE DETECTOR	HF90-11	4" SQUARE 2-1/8" DEEP	CEILING MOUNT
[DD]	SMOKE DETECTOR W/AUDIBLE BASE	DF921	4" SQUARE 2-1/8" DEEP	CEILING MOUNT
[DD]	DUCT DETECTOR W/RELAY	FB82492-HR	DUCT MOUNTED	DUCT MOUNTED
[HD]	HEAT DETECTOR	HR21	4" SQUARE 2-1/8" DEEP	CEILING MOUNT
[DIM]	DUAL INPUT MODULE	HTRI-D	4" SQUARE 2-1/8" DEEP	FIELD LOCATE
[ARM]	ADDRESSABLE RELAY MODULE	HTRI-R	4" SQUARE 2-1/8" DEEP	FIELD LOCATE
[ASM]	ADDRESSABLE SINGLE MODULE	HTRI-M	4" SQUARE 2-1/8" DEEP	FIELD LOCATE
[WMS]	WALL MOUNTED SELECTABLE CANDELA STROBE (WHITE)	ZR-MC-W	4" SQUARE 2-1/8" DEEP	82" A.F.F. TO CENTER
[CMS]	CEILING MOUNTED SELECTABLE CANDELA STROBE (WHITE)	ST-MC-CW	4" SQUARE 2-1/8" DEEP	CEILING MOUNT
[WMS]	WALL MOUNTED SELECTABLE CANDELA HORN-STROBE (WHITE)	ZH-MC-W	4" SQUARE 2-1/8" DEEP	82" A.F.F. TO CENTER
[CMS]	CEILING MOUNTED SELECTABLE CANDELA HORN-STROBE (WHITE)	NS-MC-CW	4" SQUARE 2-1/8" DEEP	CEILING MOUNT
[WMS]	WALL MOUNTED SELECTABLE CANDELA SPEAKER-STROBE (WHITE)	SE-MC-W	4" SQUARE 2-1/8" DEEP	82" A.F.F. TO CENTER
[CMS]	CEILING MOUNTED SELECTABLE CANDELA SPEAKER-STROBE (WHITE)	SE-MC-CW	4" SQUARE 2-1/8" DEEP	CEILING MOUNT
[WMS]	WALL MOUNTED SPEAKER (WHITE)	SE-W	4" SQUARE 2-1/8" DEEP	82" A.F.F. TO CENTER
[CMS]	CEILING MOUNTED SPEAKER (WHITE)	SE-CW	4" SQUARE 2-1/8" DEEP	CEILING MOUNT
[TS]	TAMPER SWITCH	F.B.O.	N/A	N/A
[WFS]	WATER FLOW SWITCH	F.B.O.	N/A	N/A
[CR]	CONTROL RELAY	MR-201/C	SELF-CONTAINED	FIELD LOCATE
[DH]	DOOR HOLDER	DH24120FPC	4" SQUARE 2-1/8" DEEP	FIELD LOCATE

NOTE: ALL SYMBOLS MAY NOT APPLY TO THESE DRAWINGS; ALL VISUAL DEVICES TO BE 15/75 UNLESS NOTED ON DRAWINGS.
NOTE: "E" DENOTES EXISTING DEVICE

WIRE LEGEND	
---	F/A DETECTION CKT - 1 PAIR #18 FPLR/FPLP
---	F/A STROBE/HORN STROBE CKT - 1 PAIR #14 FPLR/FPLP
---	F/A SPEAKER CKT - 1 PAIR # 16 SHLD FPLR/FPLP

FIRE ALARM SYSTEM GENERAL NOTES

- ALL SMOKE DETECTOR LOCATIONS ARE GENERAL. THE FOLLOWING RULES MUST BE OBSERVED FOR SMOKE DETECTOR PLACEMENT.
A- SMOKE DETECTORS SHALL NOT BE INSTALLED CLOSER THAN 3' FROM AN AIR CONDITIONING VENT.
B- IN ROOMS SMALLER THAN 30'x30' THE DETECTOR SHALL BE CENTERED IN THE ROOM IF POSSIBLE BY OBSERVING THE ABOVE RULE.
C- IN ROOMS WHERE MULTIPLE DETECTORS ARE SHOWN, DETECTORS SHALL BE INSTALLED NO FURTHER THAN 30' FROM EACH OTHER NOR ANY FURTHER THAN 15' FROM A SIDE WALL WITHOUT APPROVAL FROM PRIORITY SYSTEMS.
- DETECTOR AND AUDIBLE CIRCUIT POLARITY SHALL BE OBSERVED.
- AUDIBLE/VISUAL CIRCUIT WIRING IS SUPERVISED. NO PARALLEL BRANCHING IS PERMISSIBLE.
- CONDUIT RUNS SHOWN DIAGRAMMATICALLY. EXACT LOCATION IS TO BE DETERMINED IN THE FIELD.
- INSTALLATION SHALL BE IN STRICT CONFORMANCE WITH THE NATIONAL ELECTRIC CODE, LOCAL CODE(S), AND/OR AUTHORITY HAVING JURISDICTION.
- INSTALLATION MATERIALS (I.E. CONDUIT, WIRE, FITTINGS, HANGERS, AND STANDARD BOXES) ARE NOT SUPPLIED BY PRIORITY SYSTEMS.
- WIRING SHALL BE PER PLAN WITH RESPECT TO CONDUCTOR SIZE, TYPE, QUANTITY AND COLOR CODE. CONDUCTORS SHALL BE PERMANENTLY MARKED FOR FUTURE IDENTIFICATION.
- INSTALLING CONTRACTOR SHALL RETURN ONE SET OF ACCURATELY MARKED DRAWINGS FOR "AS BUILT" PURPOSES.
- FOR ADDITIONAL INSTALLATION INSTRUCTIONS, REFER TO CATALOG CUT SHEETS AND/OR INSTALLATION INSTRUCTIONS.
- 120VAC POWER SHALL NOT BE APPLIED TO FIRE ALARM PANEL WITHOUT DIRECT SUPERVISION OF TECHNICIAN.
- INSTALL A DUCT SMOKE DETECTOR IN ALL AHU'S WITH A CFM OF 2000 OR GREATER. ALL AHU'S WITH A CFM OF 2000 OR GREATER TO BE SHUTDOWN BY FIRE ALARM CONTROL PANEL.
- VERIFY MOUNTING LOCATIONS FOR ALL FACP'S, EVAC'S, PAD'S AND ANN'S WITH ELECTRICAL CONTRACTOR.

NOTES:
HATCHED AREAS WERE COVERED UNDER P0344526.

SHEET TITLE:

FIRE ALARM SYSTEM

REV. NO.	DATE	FOR APPROVAL	REMARKS
1	4/19	T. NEAL	

DESIGNED BY: M. LEJEUNE, JR.

DRAWN BY: T. NEAL

APPROVED BY: M. LEJEUNE, JR.

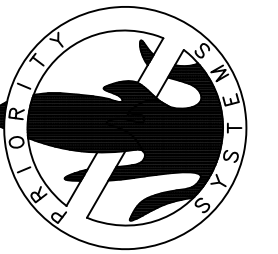
DATE: APRIL 2019

SCALE: N.T.S.

PROJECT NO: 1994

DRAWING NO: FA-1.0

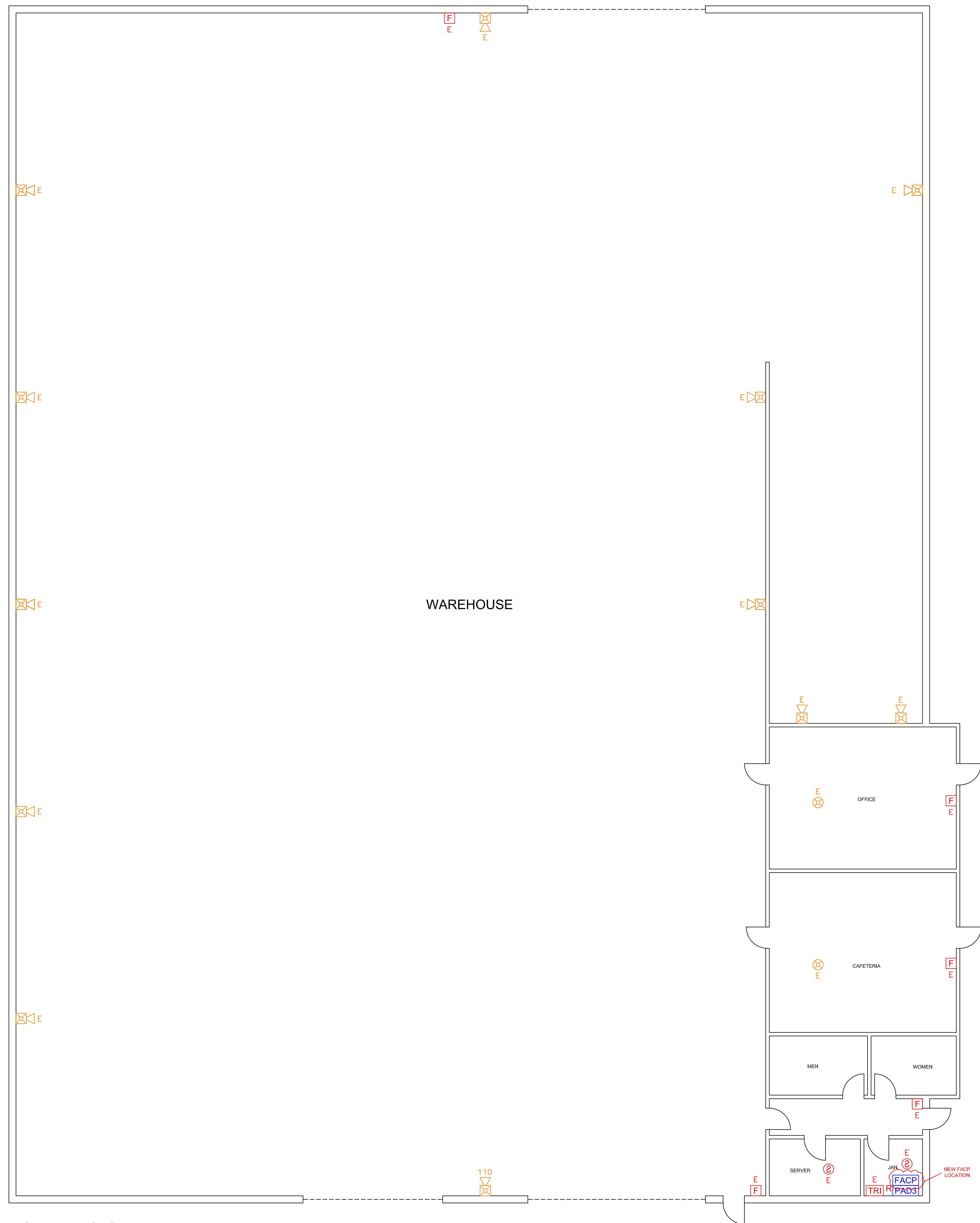
ADVANCED SINTER METAL TECHNOLOGIES
2589 FRONT STREET
SLIDELL, LA 70458



PRIORITY SYSTEMS INC.
SPECIAL SYSTEMS CONTRACTOR

5221 WEST NAPOLEON AVE.
OFFICE: (504)887-8884
FAX: (504)888-6542

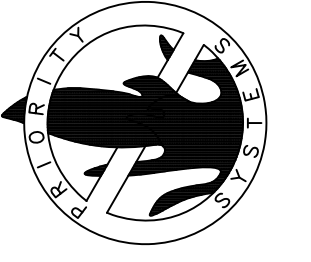
METAIRIE, LOUISIANA 70001
www.PrioritySystemsinc.net
info@PrioritySystemsinc.net



1ST FLOOR

1/8" = 1'-0"

PRIORITY SYSTEMS INC.
SPECIAL SYSTEMS CONTRACTOR



5221 WEST NAPOLEON AVE.
OFFICE: (504)887-8884
FAX: (504)888-6542
METAIRIE, LOUISIANA 70001
www.PrioritySystemsinc.net
info@PrioritySystemsinc.net

ADVANCED SINTER METAL TECHNOLOGIES
2589 FRONT STREET
SLIDELL, LA 70458

NOTES:

SHEET TITLE:
FIRE ALARM SYSTEM

REV. NO.	DATE	REMARKS
0	4/19	FOR APPROVAL

DESIGNED BY: M. LEJEUNE, JR.

DRAWN BY: T. NEAL

APPROVED BY: M. LEJEUNE, JR.

DATE: APRIL 2019

SCALE: 1/8" = 1'-0"

PROJECT NO: **1994**

DRAWING NO: **FA-2.0**