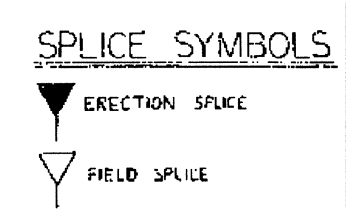
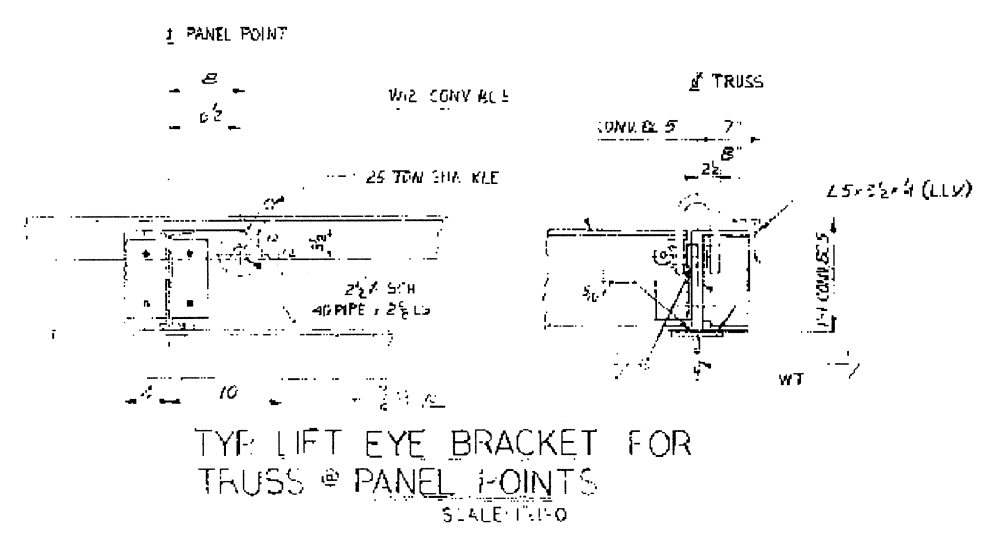


WORK THIS DRAW WITH

- ES7-1 TRUSS 3-1-4-2
- ES7-2 TRUSS 4-1-4-4
- ES7-1 TRUSS 5-1-5-2
- ES7-2 TRUSS 5-1-5-4
- ES9-2 TRUSS 5-5-5-4
- ES9-4 TRUSS 5-7
- ES7-3 BELT
- ES7-4 BELT

GALLERY	WEIGHT IN KIPS				BENT	WT-KIPS
	CONVS	STR STEEL	ST-DECK	TOTAL		
T4-1	25	4	10	39	4-2	3
T4-2	16	2	9	27	4-3	3
T4-3	13	7	10	30	4-4	7
T4-4	22	3	11	36		
T5-1	19	3	11	33		
T5-2	20	4	14	38	5-2	3
T5-3	20	4	13	37	5-3	5
T5-4	21	4	13	38	5-4	9
T5-5	17	4	13	34	5-5	14
T5-6	23	4	12	39	5-6	8
T5-7	34	5	19	58	5-7	24

1. METAL DECK MUST BE INSTALLED PRIOR TO ERECTION OF TRUSSES
2. LIFTING USING 12" TO BE INSTALLED PRIOR TO LIFTING OF TRUSSES. SHAR BARS MUST BE BLENDED TO PREVENT LATERAL MOVEMENT OF TRUSSES



5-23 REVISION FOR FABRICATION  
5-27 ADD NOTE B.  
5-28 ADD NOTE C.  
5-29 ADD NOTE D.  
5-30 ADD NOTE E.  
5-31 ADD NOTE F.  
5-32 ADD NOTE G.  
5-33 ADD NOTE H.  
5-34 ADD NOTE I.  
5-35 ADD NOTE J.  
5-36 ADD NOTE K.  
5-37 ADD NOTE L.  
5-38 ADD NOTE M.  
5-39 ADD NOTE N.  
5-40 ADD NOTE O.  
5-41 ADD NOTE P.  
5-42 ADD NOTE Q.  
5-43 ADD NOTE R.  
5-44 ADD NOTE S.  
5-45 ADD NOTE T.  
5-46 ADD NOTE U.  
5-47 ADD NOTE V.  
5-48 ADD NOTE W.  
5-49 ADD NOTE X.  
5-50 ADD NOTE Y.  
5-51 ADD NOTE Z.

WA MENSCH

ES-13

11-3-7

B-54836-E