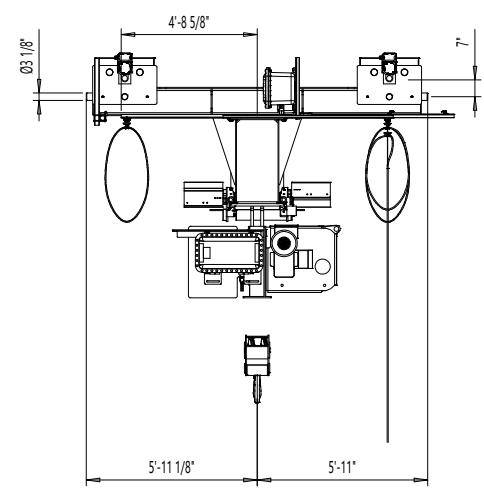


REV	CHANGE DESCRIPTION	ECN	DATE	REVISED BY	APPROVED BY
-----	--------------------	-----	------	------------	-------------

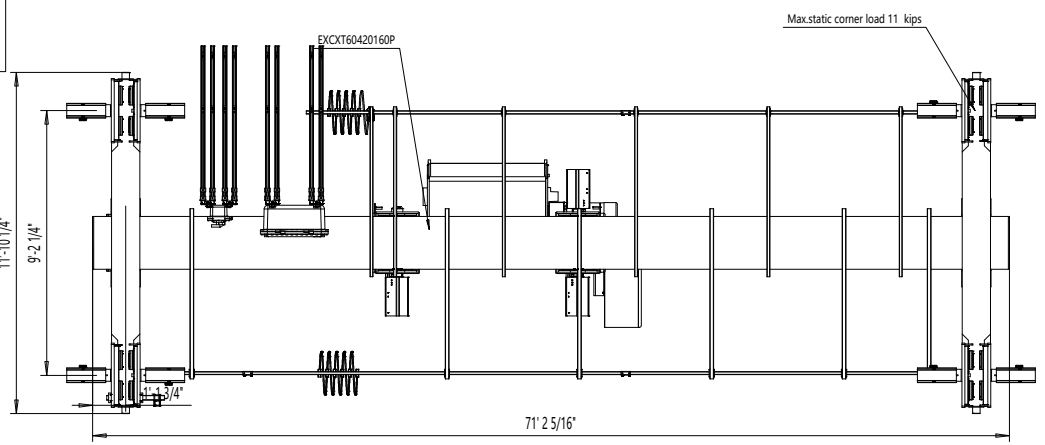
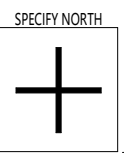


View A-A

PRELIMINARY



Marking:
 Class I, Division 2, Groups B, C and D, T3 (Class I, Zone 2, IIB + H2, T3)
 Ambient temperature : 14°...104° F



NOTE! ADDITIONAL OPTIONS CAN AFFECT WEIGHT AND DIMENSIONS OF SOME COMPONENTS.

TECHNICAL DATA

Span	: 69'-0"
Load	: 15-TON
Lifting height	: 52'-0"
Hoisting speed	: 15.0/2.8 ft/min 2-speed
Traversing speed	: 80/20 ft/min 2-speed pole change
Travelling speed	: 100/25 ft/min 2-speed pole change
Weight of trolley	: 5310 lbs
Weight of bridge	: 21164 lbs
Crane classification	: CMAA Class C
Power supply	: 440 / 115 V; 60 Hz

SURFACE TREATMENT OF CRANE

Bridge color	: RAL1028
Paint	: ENA/127 μm
Access to crane and certain maintenance items is via man lift	
Outdoor Use crane	
Pendant controlled crane: movable	

ACCEPTED BY:	Pos		Amount		Description		Specification	
	KSA/PGS		Chd		Appd		Ref drawing	
COMPANY:	Date		Date		Date		Date	
	Markman Support		-		-		-	
DATE:	KONECRANES		Crane-039756-OEx		DAS / 2.146.15		1:40	
	Konecranes, Inc.		-		-		Mr. Elm	

This document is the absolute property of Konecranes, Inc. This document must not be copied without the written permission of Konecranes, Inc. or its parent company KONECRANES. The contents thereof must not be disclosed to a third party nor be used for any unauthorized purposes. Changes must be approved by Konecranes, Inc.