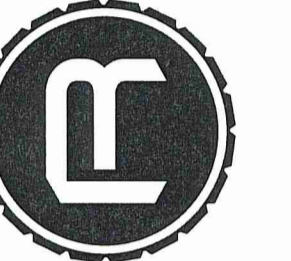
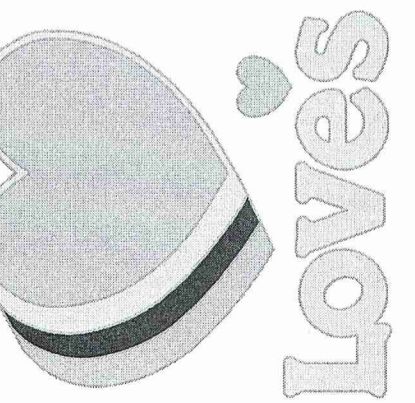




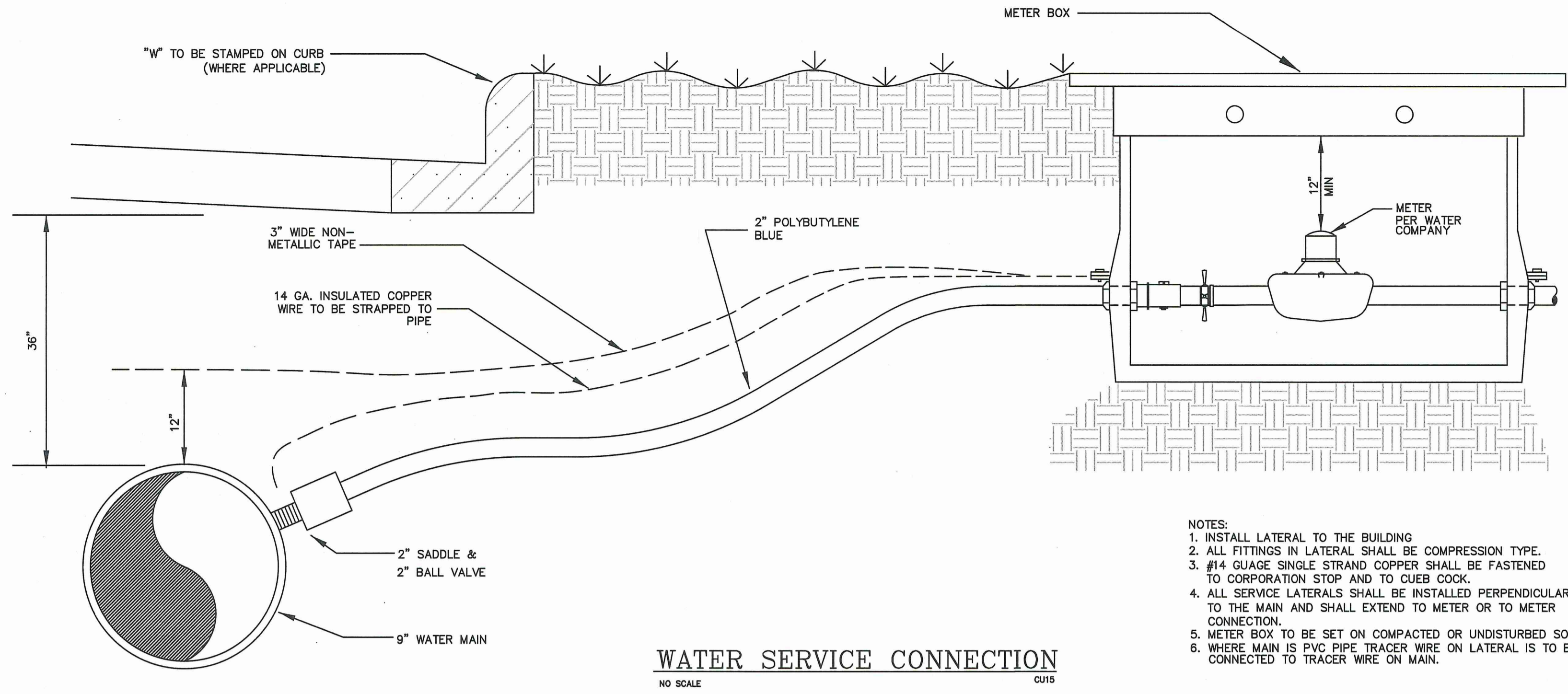
RESOURCECONSULTING
CIVIL ENGINEERING
6700 Jefferson Highway - Resource Suite 4A
Baton Rouge, Louisiana 70806
ResourceConsulting@hotmail.com
Tel: (225) 761-9909; Fax (225) 766-6672



LOVE'S TRAVEL STOP
INTERSTATE 59 EXIT 1 @ MS HIGHWAY 607
PEARL RIVER COUNTY, MISSISSIPPI

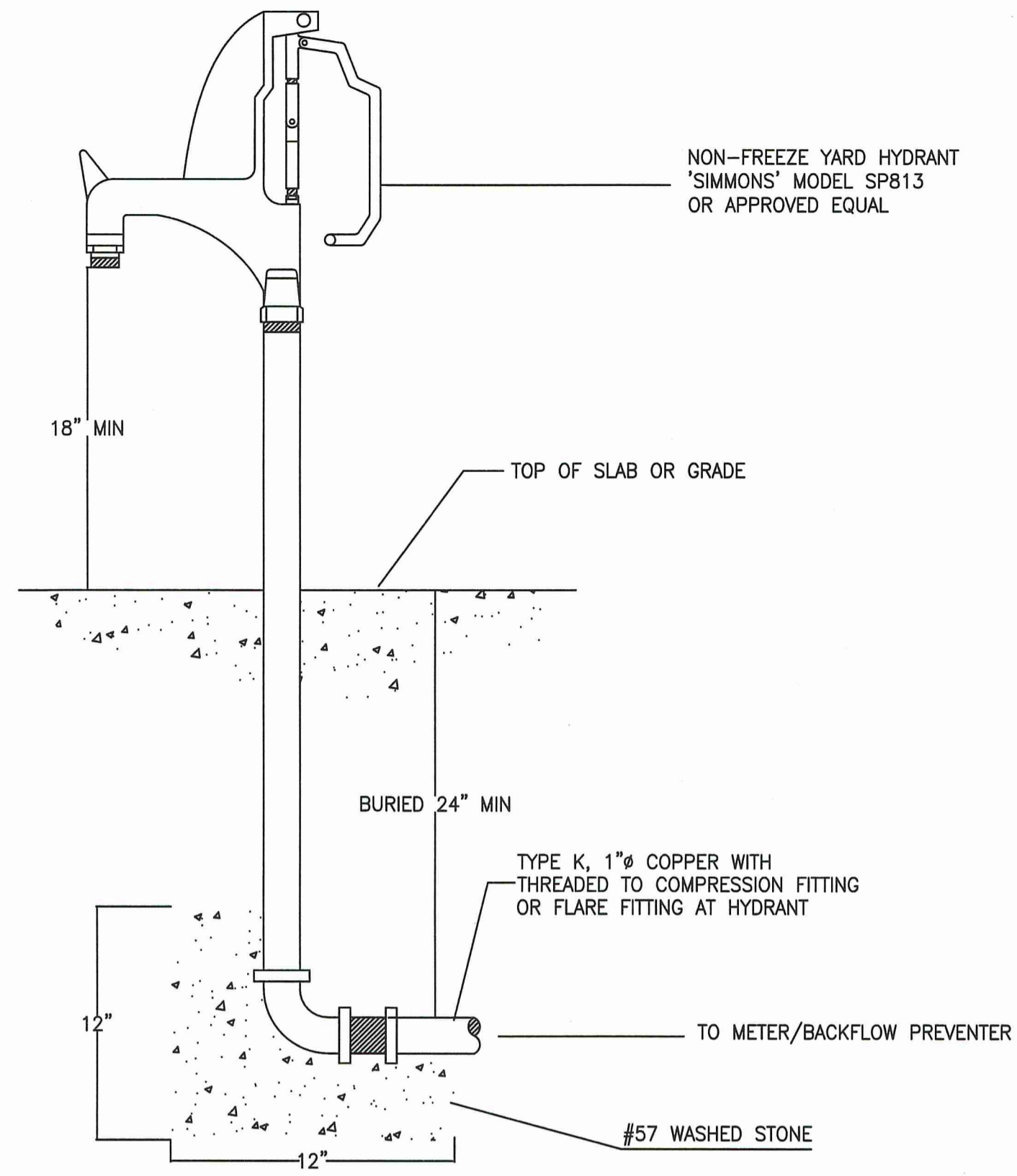


C9.5

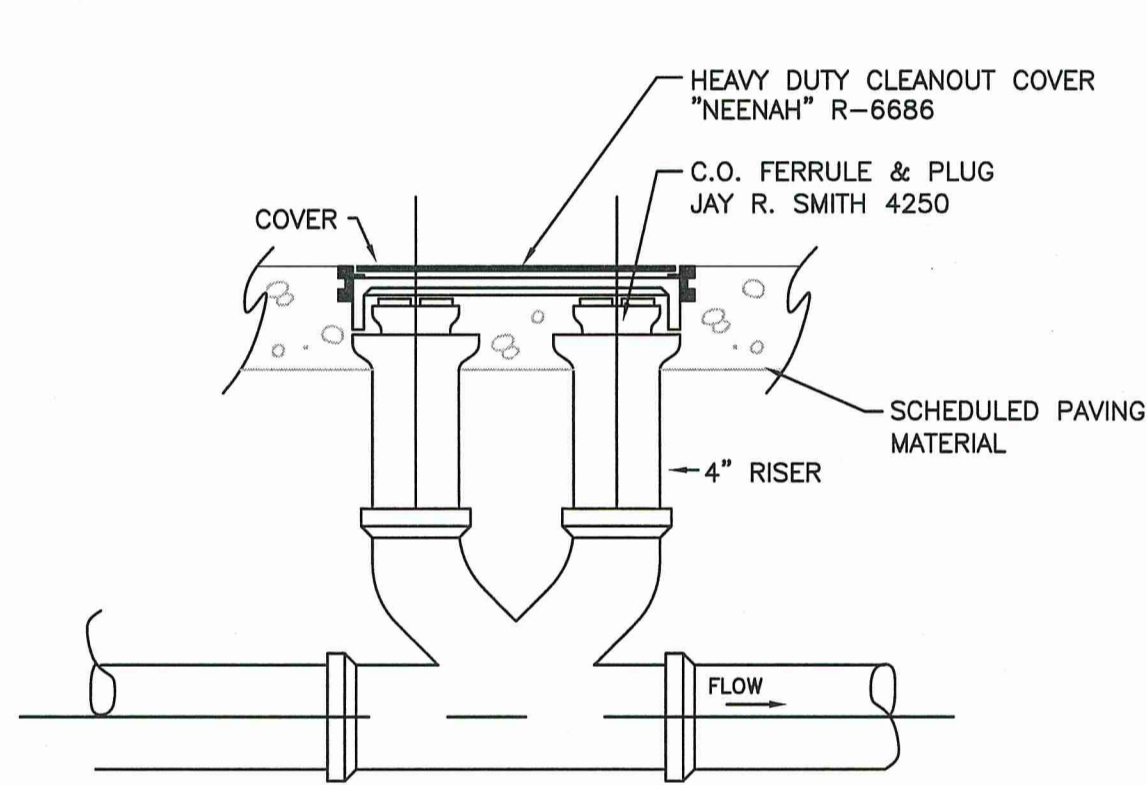


- NOTES:
1. INSTALL LATERAL TO THE BUILDING
 2. ALL FITTINGS IN LATERAL SHALL BE COMPRESSION TYPE.
 3. #14 GAUGE SINGLE STRAND COPPER SHALL BE FASTENED TO CORPORATION STOP AND TO CURB COCK.
 4. ALL SERVICE LATERALS SHALL BE INSTALLED PERPENDICULAR TO THE MAIN AND SHALL EXTEND TO METER OR TO METER CONNECTION.
 5. METER BOX TO BE SET ON COMPACTED OR UNDISTURBED SOIL.
 6. WHERE MAIN IS PVC PIPE TRACER WIRE ON LATERAL IS TO BE CONNECTED TO TRACER WIRE ON MAIN.

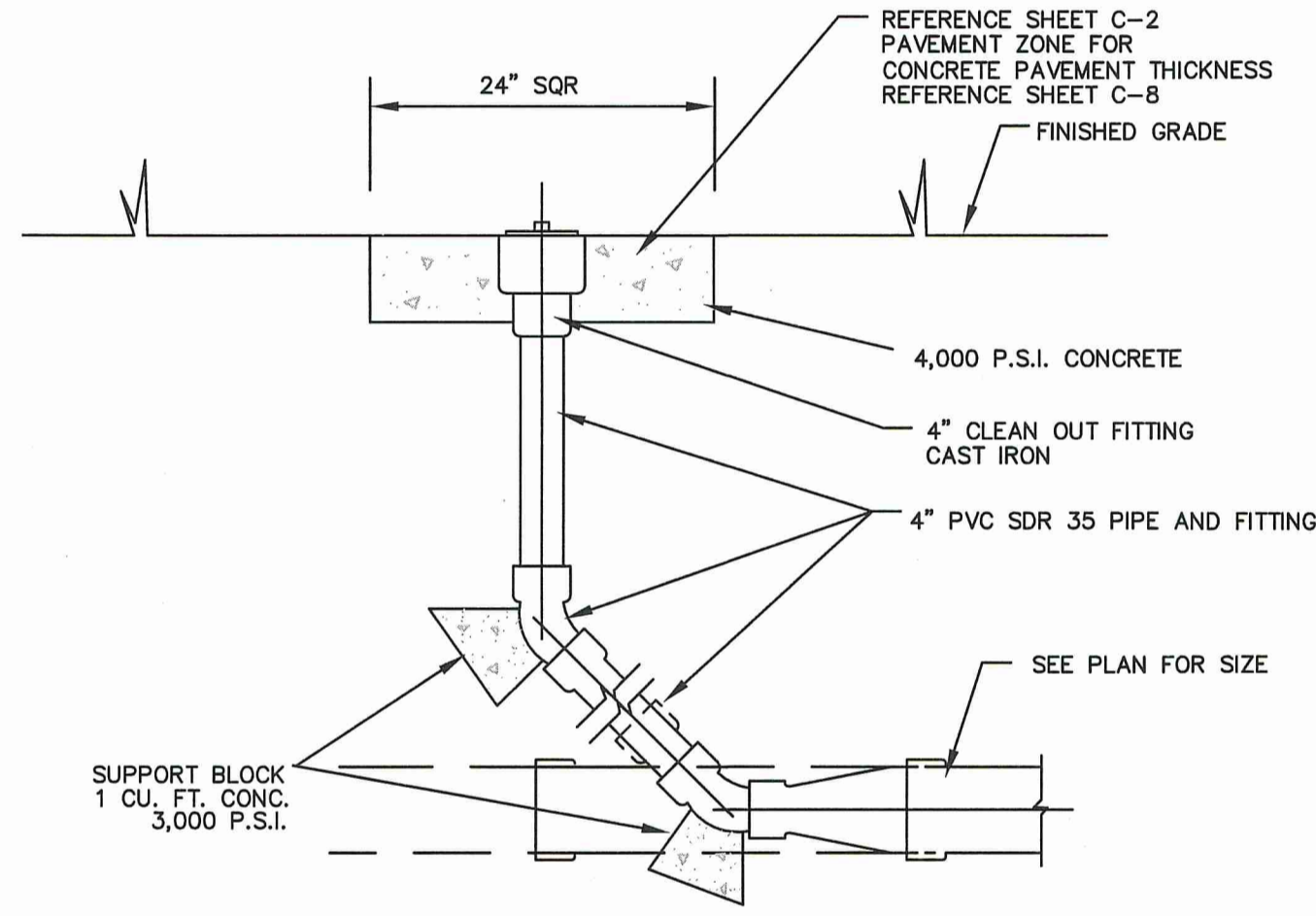
WATER SERVICE CONNECTION
NO SCALE
CU15



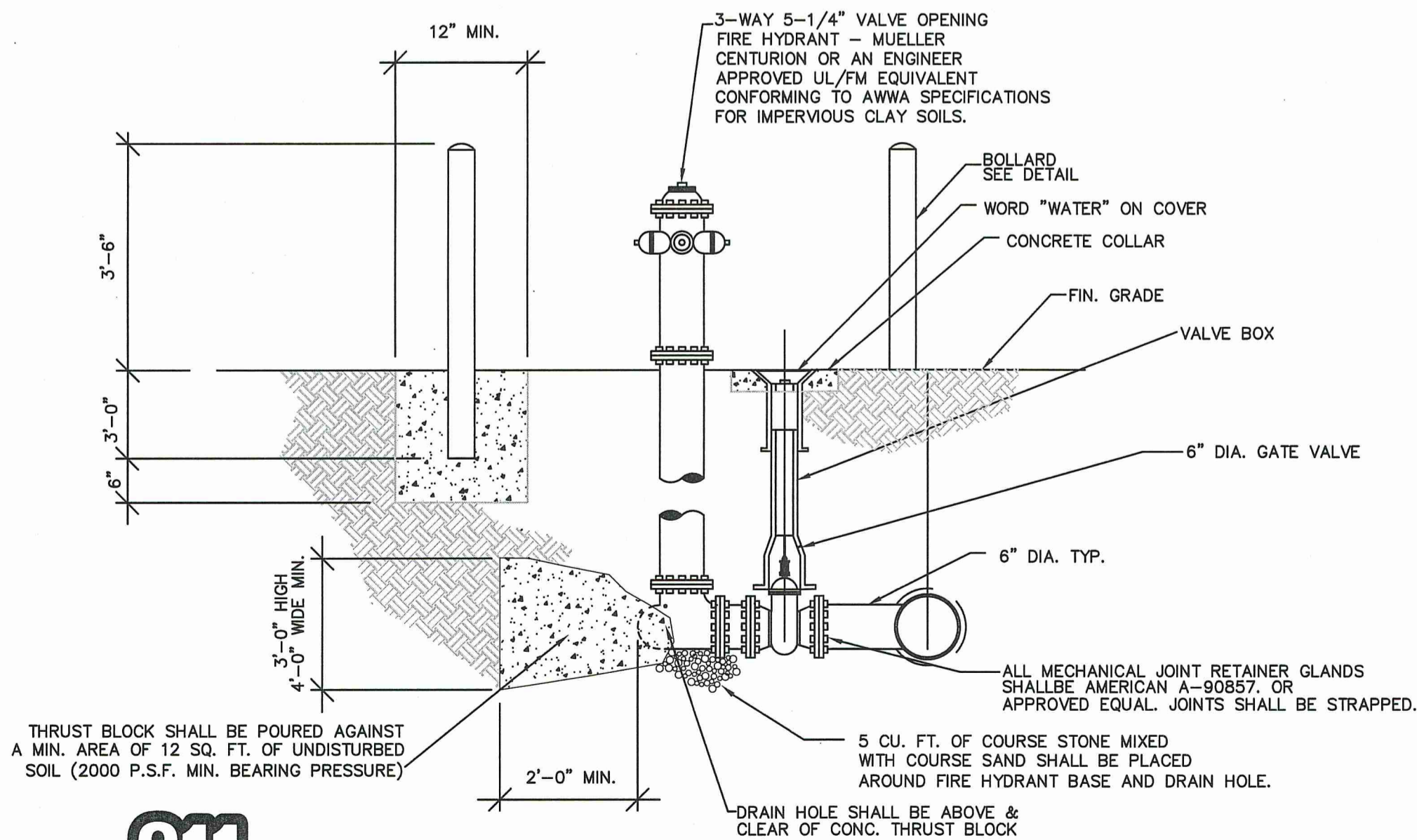
YARD HYDRANT DETAIL
Not To Scale



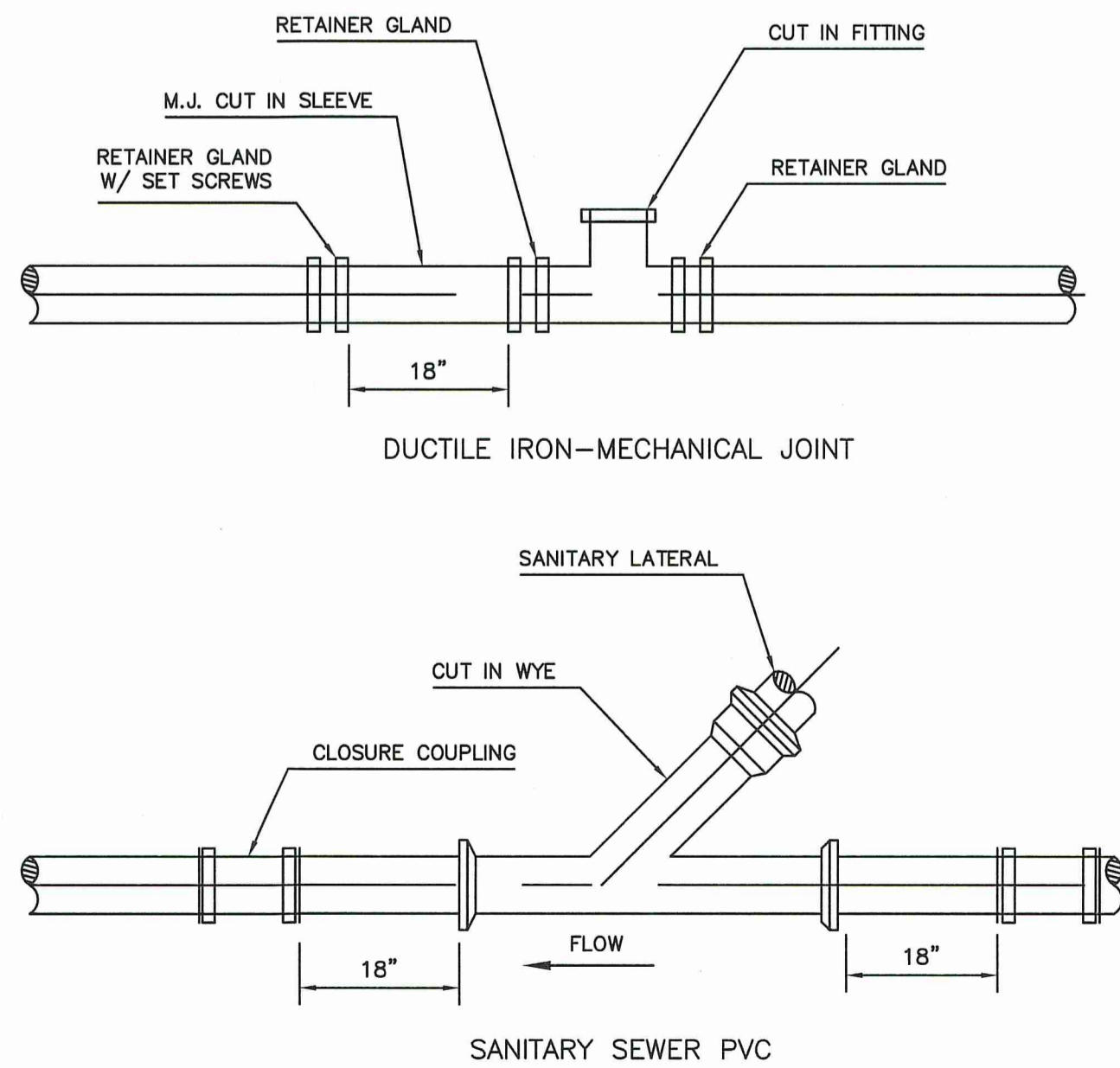
2-WAY CLEAN OUT DETAIL
N.T.S.



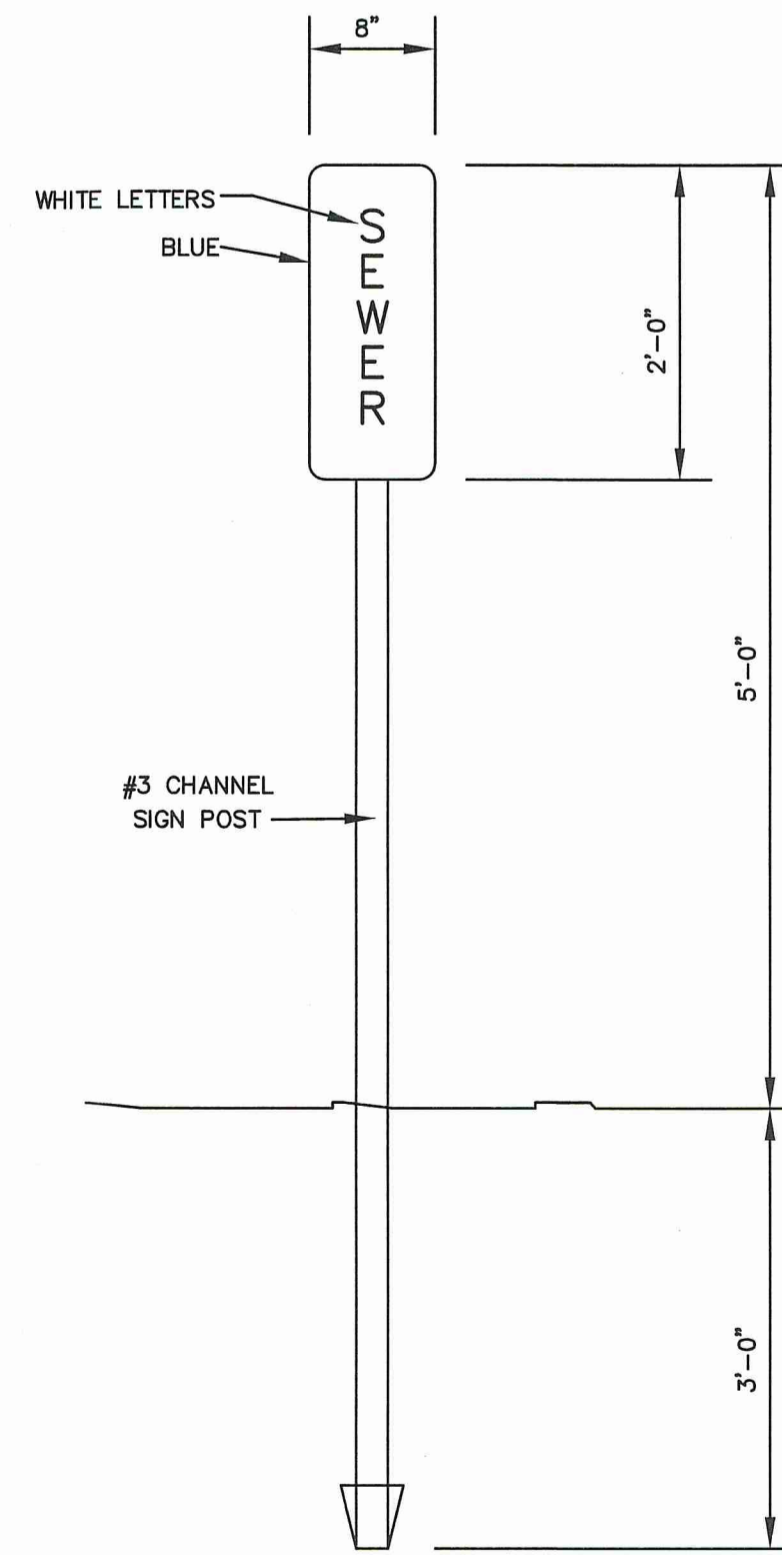
CLEAN OUT DETAIL
N.T.S.
CU01



FIRE HYDRANT DETAIL
NO SCALE
CU06



SANITARY SEWER CUT IN DETAIL
NO SCALE
195



DEAD-END UTILITY SIGN DETAIL
N.T.S.

NOTE:
NUTS, BOLTS, AND METAL WASHERS SHALL BE GALVANIZED OR CADMIUM PLATED.
THIS SIGN SHALL BE USED AT ALL OTHER UTILITY DEAD-ENDS BY REPLACING THE WORD "WATER" WITH THE PROPER UTILITY IDENTIFICATION.



THIS DRAWING IS NOT VALID WITHOUT AN ORIGINAL BLUE INK SIGNATURE AND ORIGINAL HANDWRITTEN DATE OF A LICENSED PROFESSIONAL ENGINEER.

UTILITY DETAILS



Know what's below.
Call before you dig.