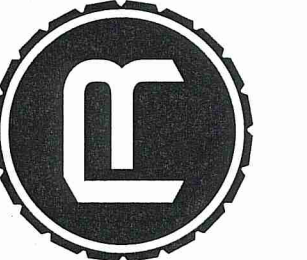
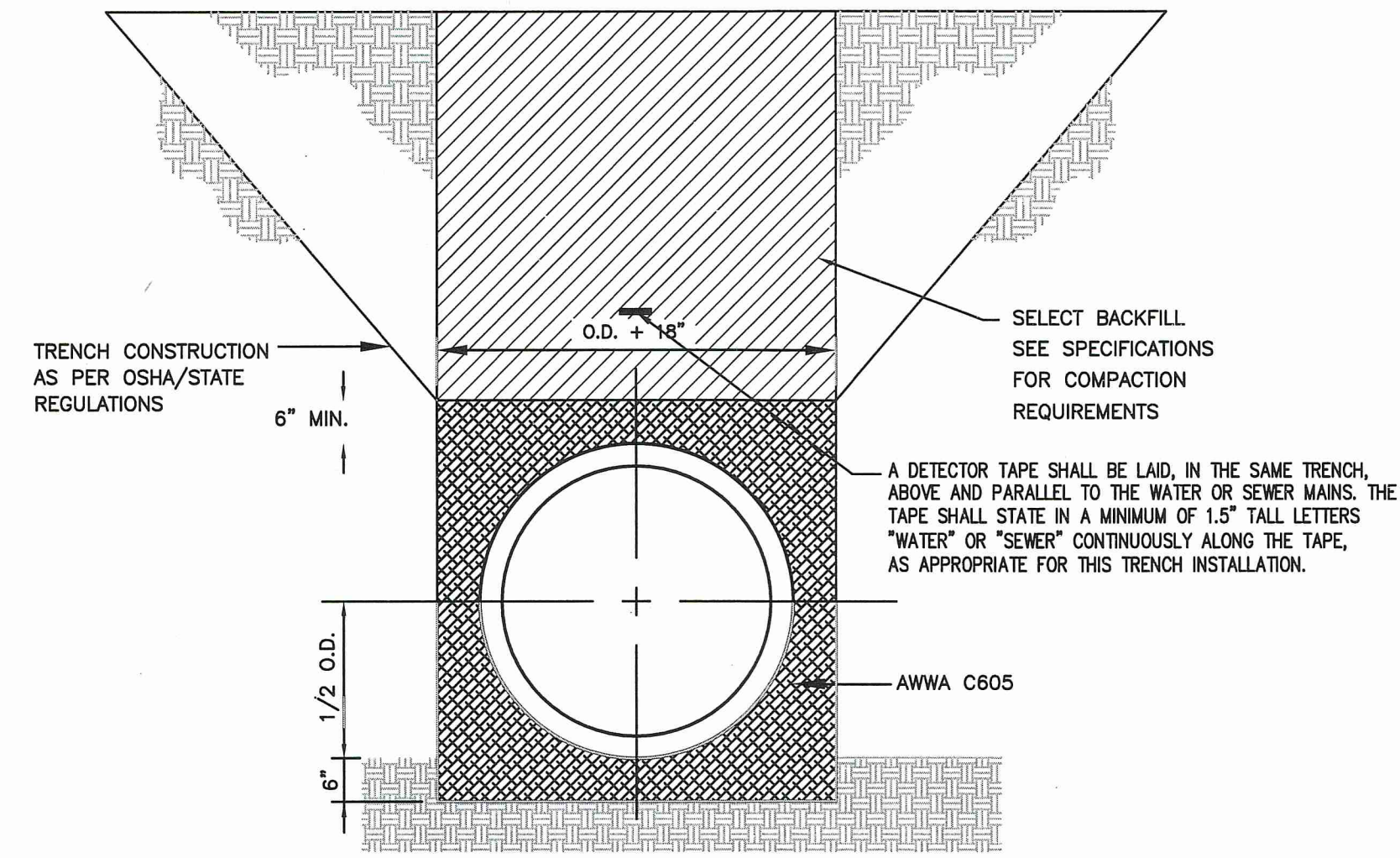




**RESOURCE CONSULTING**  
CIVIL ENGINEERING  
6700 Jefferson Highway - Resource Suite 4A  
Baton Rouge, Louisiana 70806  
ResourceConsulting@hotmail.com  
Tel: (225) 761-9909, Fax (225) 766-6672



**NICHOLSON WATER AND SEWER ASSOCIATION**  
INTERSTATE 59 EXIT 1 @ MS HWY 607  
PEARL RIVER COUNTY, MISSISSIPPI



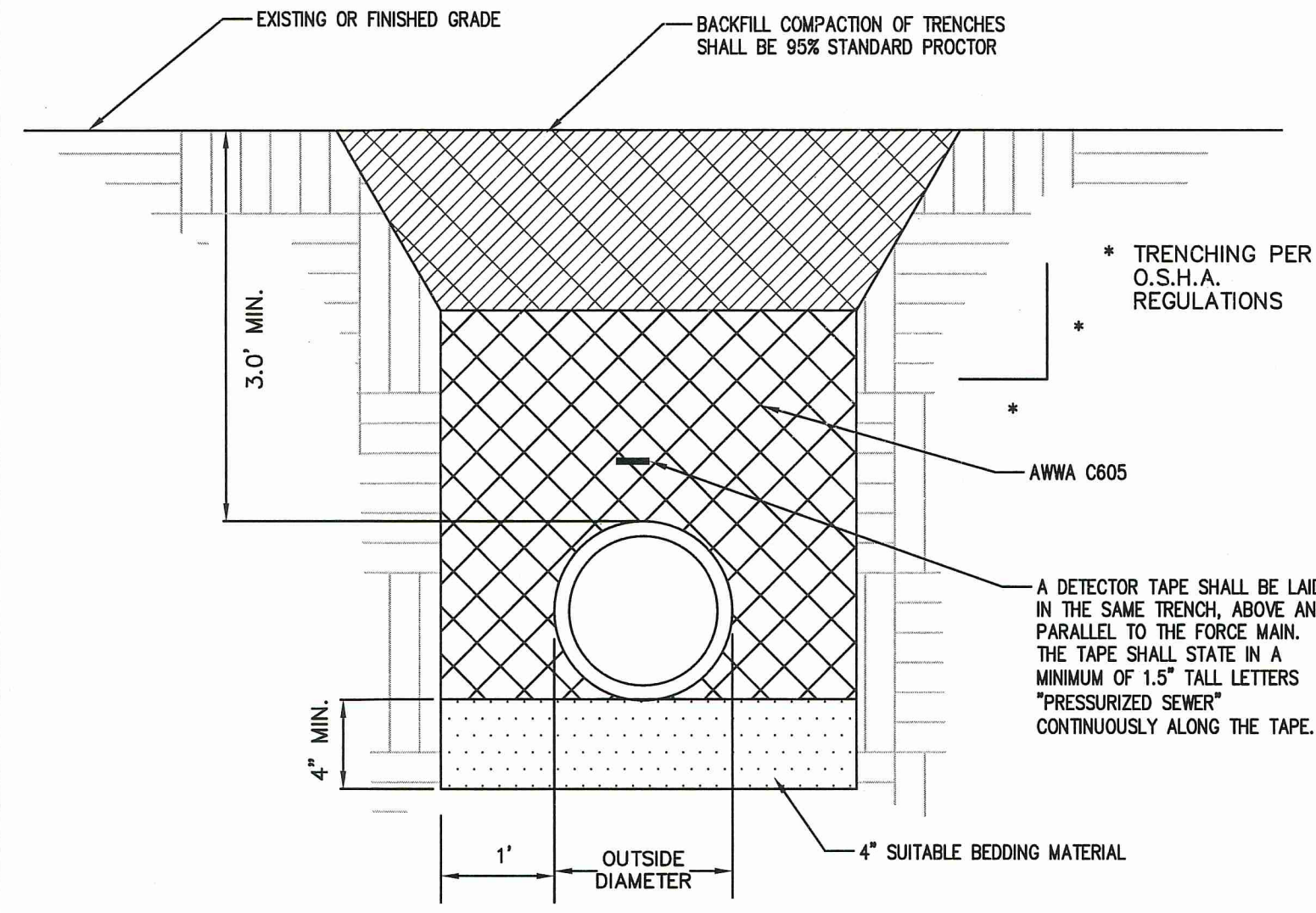
- NOTES:
- BEDDING MATERIALS SHALL CONFORM TO AWWA C605 (MAXIMUM EMBEDMENT PARTICLE SIZE SHALL NOT EXCEED 3/4 INCH FOR ANGULAR ROCK OR 1.5 INCH FOR ROUNDED ROCK)
  - HAUNCH MATERIALS SHALL BE CLASS I, II, OR III PER D-2321, TABLE 2.
  - INITIAL BACKFILL MATERIALS SHALL BE CLASS I, II, OR III MATERIALS AS REQUIRED ABOVE, RESTRICTED AS PER ASTM D-2321, TABLE 2.
  - MINIMUM TRENCH WIDTHS (AS REQUIRED BY ASTM D-2321), ARE AS FOLLOWS:

INSIDE DIAMETER	MIN. TRENCH
8"	25"
10"	27"
12"	30"
15"	34"
18"	38"
24"	46"
30"	55"
36"	63"
42"	72"
48"	80"

A LESSER TRENCH WIDTH WILL BE PERMITTED ONLY WHERE IT IS DETERMINED THE CONTRACTOR CAN UTILIZE EQUIPMENT CAPABLE OF MEETING THE REQUIRED INSTALLATION DENSITIES.

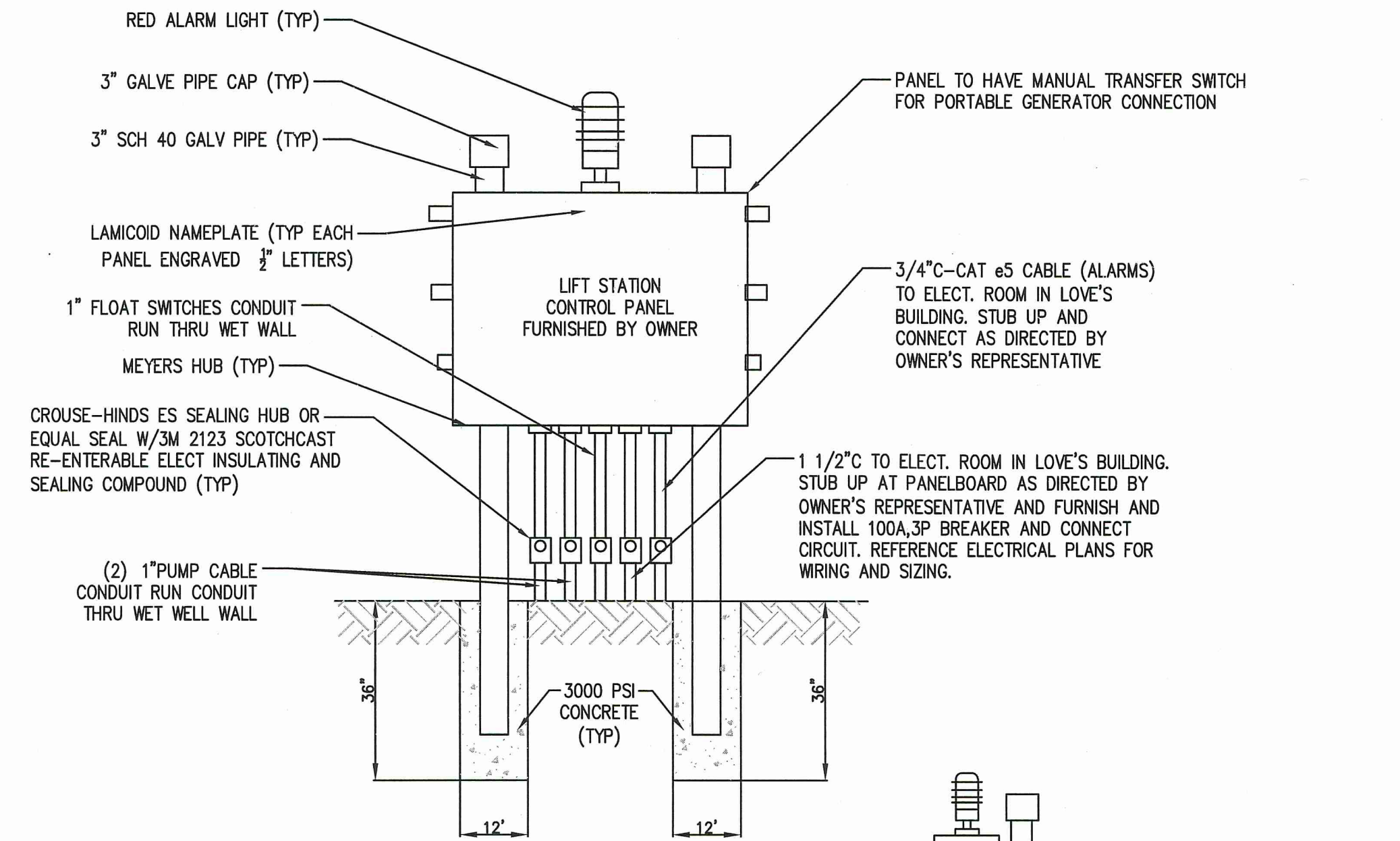
- WHERE THE TRENCH BOTTOM IS UNSTABLE, CONTRACTOR SHALL EXCAVATE TO A DEPTH AS REQUIRED BY THE ENGINEER AND REPLACE AS AN ALTERNATE, TRENCH BOTTOM MAY BE STABILIZED USING A GEOFABRIC.

**TRENCH & BEDDING DETAIL**  
N.T.S. (FOR WATER & SANITARY LINES ONLY) 03/00

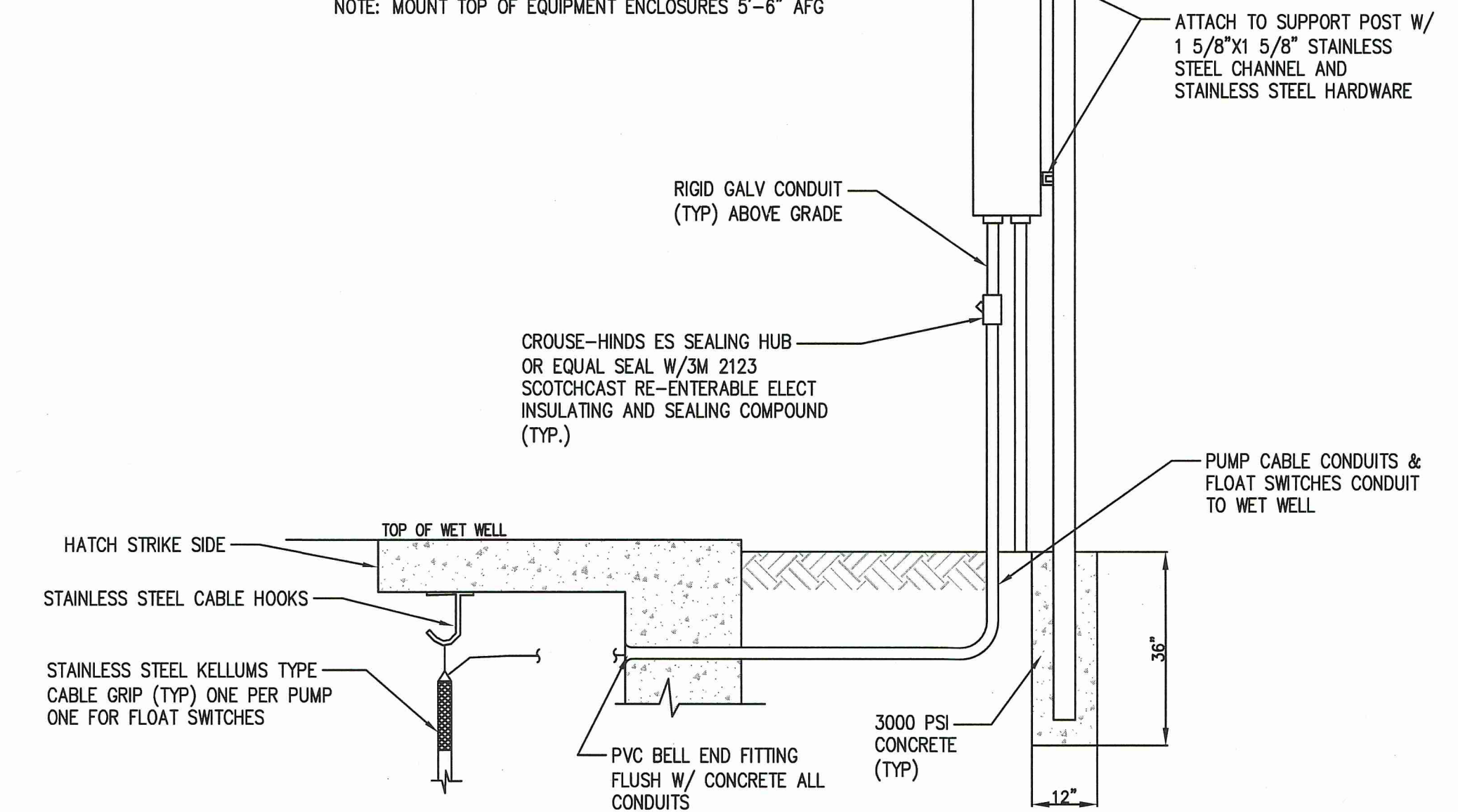


**FORCE MAIN BEDDING DETAIL**  
N.T.S.

- NOTES:
- BEDDING MATERIALS SHALL CONFORM TO AWWA C605 (MAXIMUM EMBEDMENT PARTICLE SIZE SHALL NOT EXCEED 3/4 INCH FOR ANGULAR ROCK OR 1.5 INCH FOR ROUNDED ROCK)
  - HAUNCH MATERIALS SHALL BE CLASS I, II, OR III PER D-2321, TABLE 2.
  - INITIAL BACKFILL MATERIALS SHALL BE CLASS I, II, OR III MATERIALS AS REQUIRED ABOVE, RESTRICTED AS PER ASTM D-2321, TABLE 2.
  - WHERE THE TRENCH BOTTOM IS UNSTABLE, CONTRACTOR SHALL EXCAVATE TO A DEPTH AS REQUIRED BY THE ENGINEER AND REPLACE AS AN ALTERNATE, TRENCH BOTTOM MAY BE STABILIZED USING A GEOFABRIC.



NOTE: MOUNT TOP OF EQUIPMENT ENCLOSURES 5'-6" AFG

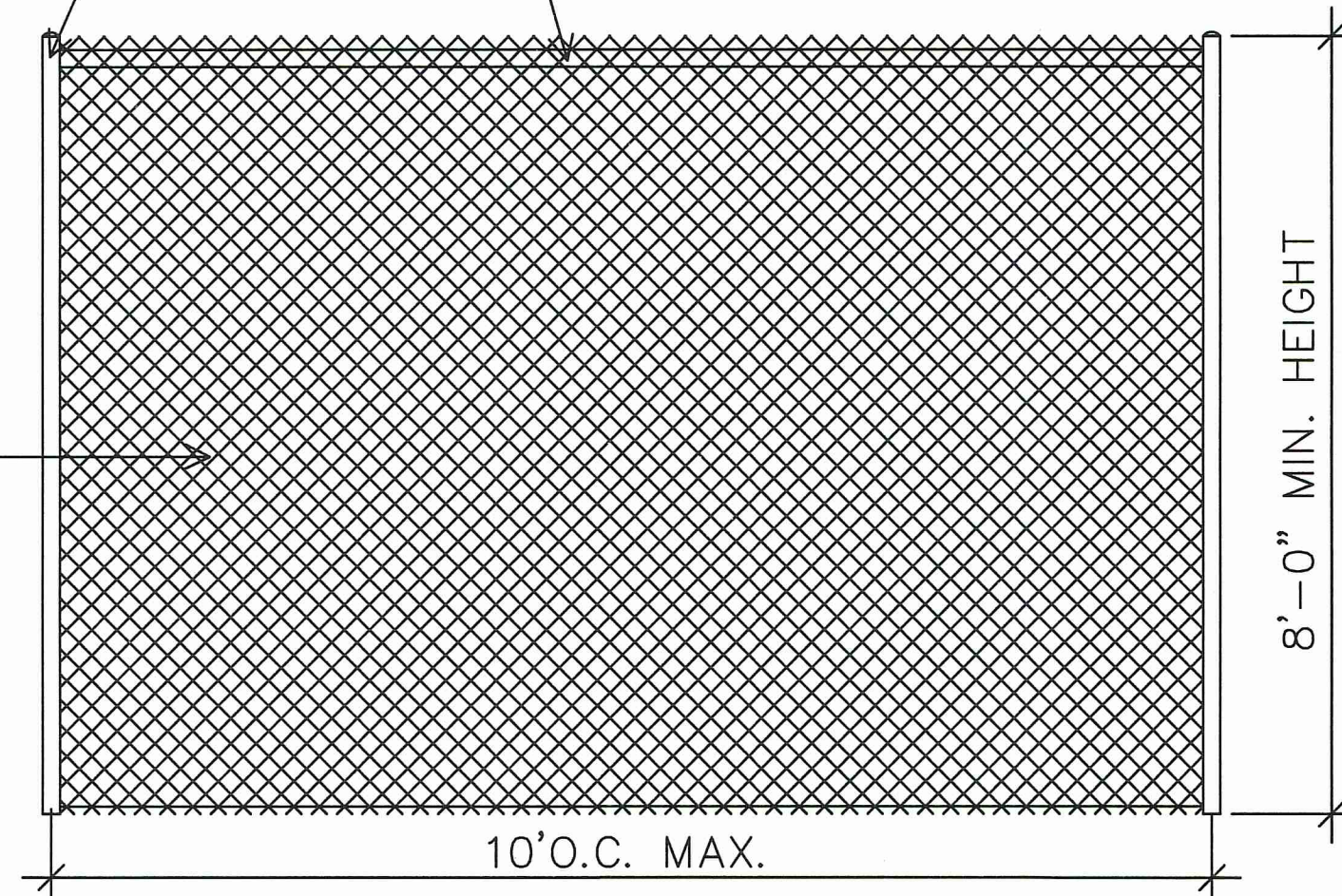


**LIFT STATION PANEL DETAIL**  
N.T.S.

LINE POSTS: GALVANIZED STEEL, MIN. SIZE VARIES WITH HEIGHT. SEE SITE SPECS. FOR VARIATIONS

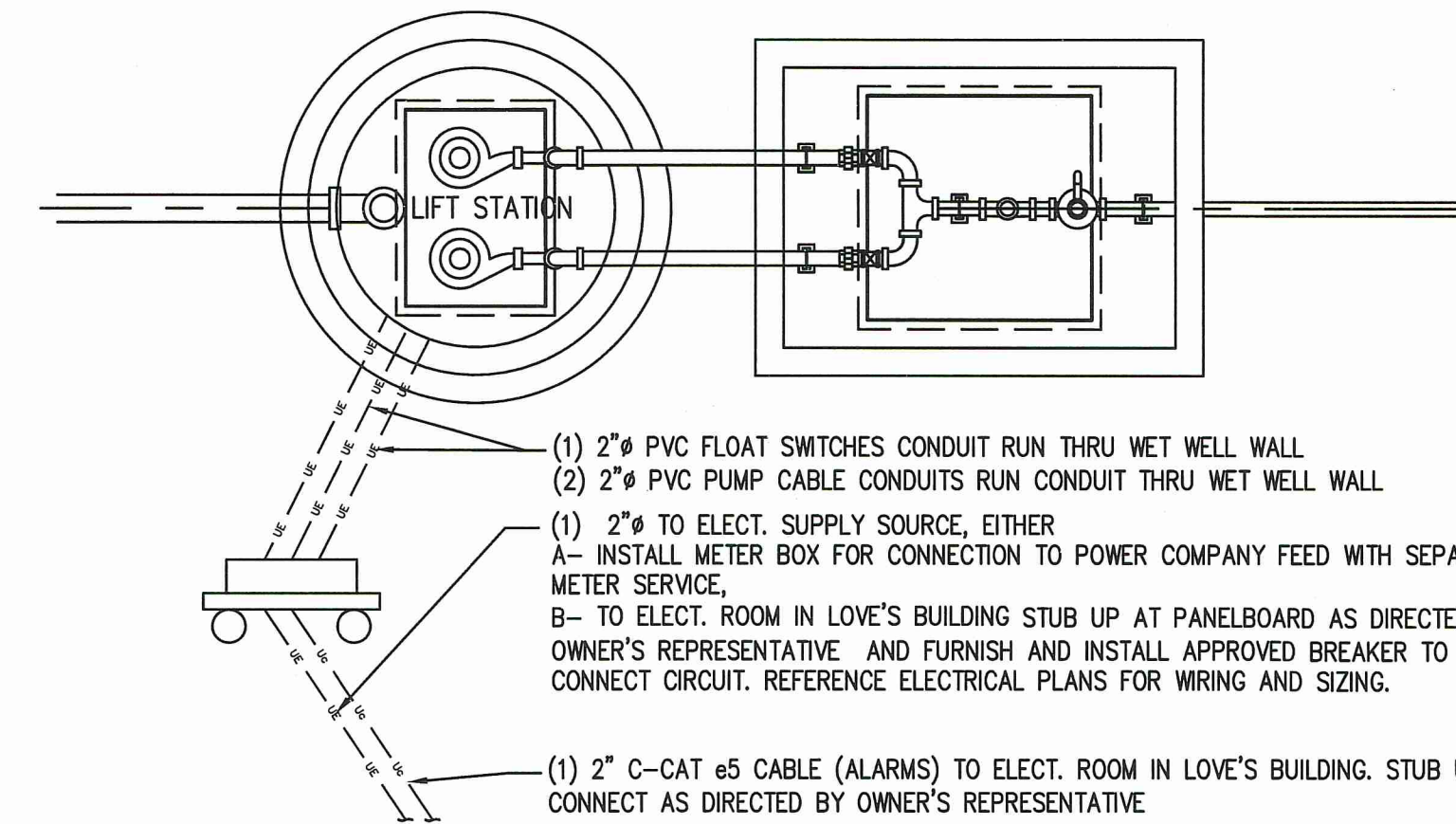
TOP RAIL: RAILS 1.66" OD PIPE, 2.27#/FT. OR 1.625" X 1.25" ROLL-FORMED SECTIONS, 1.35#/FT.; GALVANIZED STEEL, MANUFACTURER'S LONGEST LENGTHS.

FABRIC: NO.9 GA. FINISHED GALVANIZED STEEL WIRES, 2" MESH, WITH BOTH TOP AND BOTTOM SELVAGES TWISTED AND BARBED. FURNISH ONE-PIECE FABRIC WIDTHS FOR FENCING.



- NOTES:
- TWIN 10' WIDE LOCKABLE ACCESS GATES ARE TO BE INSTALLED AS SHOWN ON LIFT STATION SITE LAYOUT

**CHAIN LINK FENCE DETAIL**  
NO SCALE



**LIFT STATION ONE LINE DIAGRAM**  
N.T.S.



3/1/23

THIS DRAWING IS NOT VALID WITHOUT AN ORIGINAL BLUE INK SIGNATURE AND ORIGINAL HANDWRITTEN DATE OF A LICENSED PROFESSIONAL ENGINEER.

**LIFT STATION DETAILS**

**U3.3**



Know what's below.  
Call before you dig.