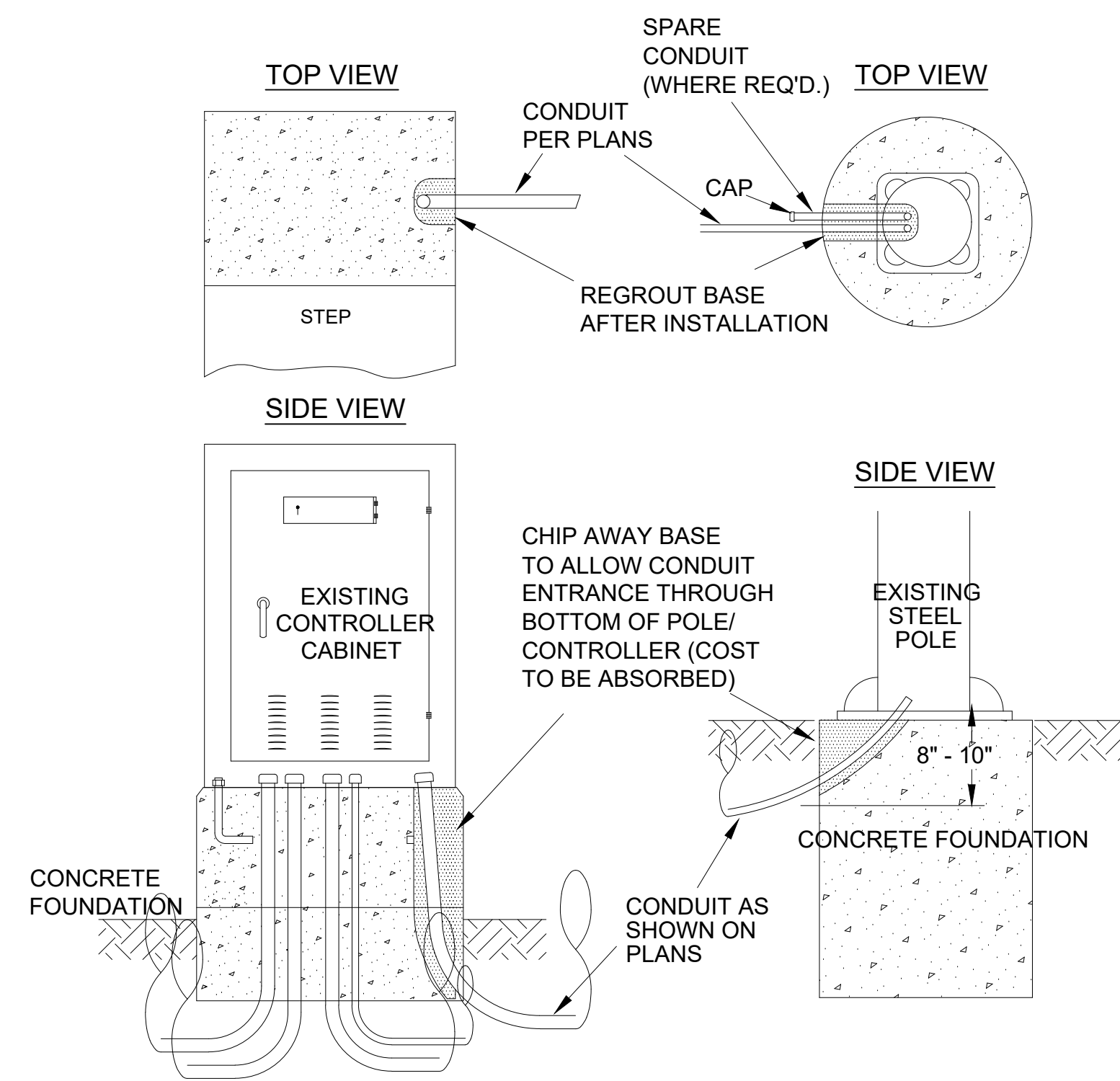
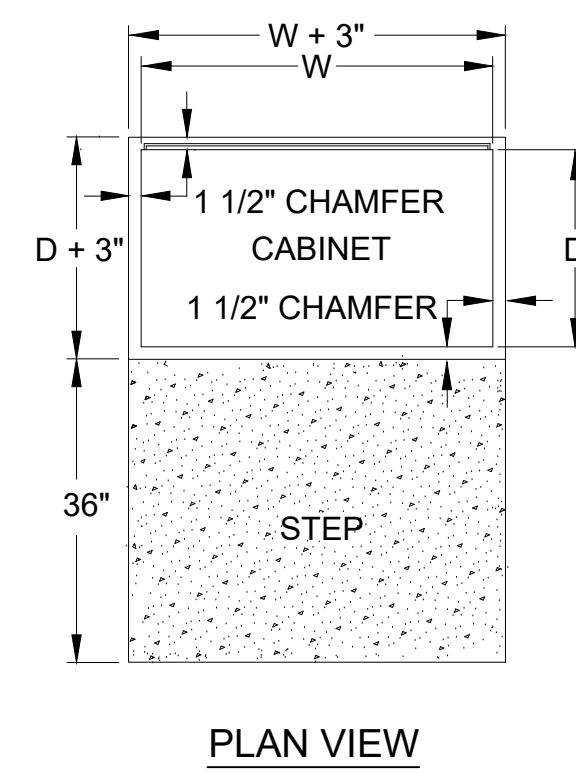


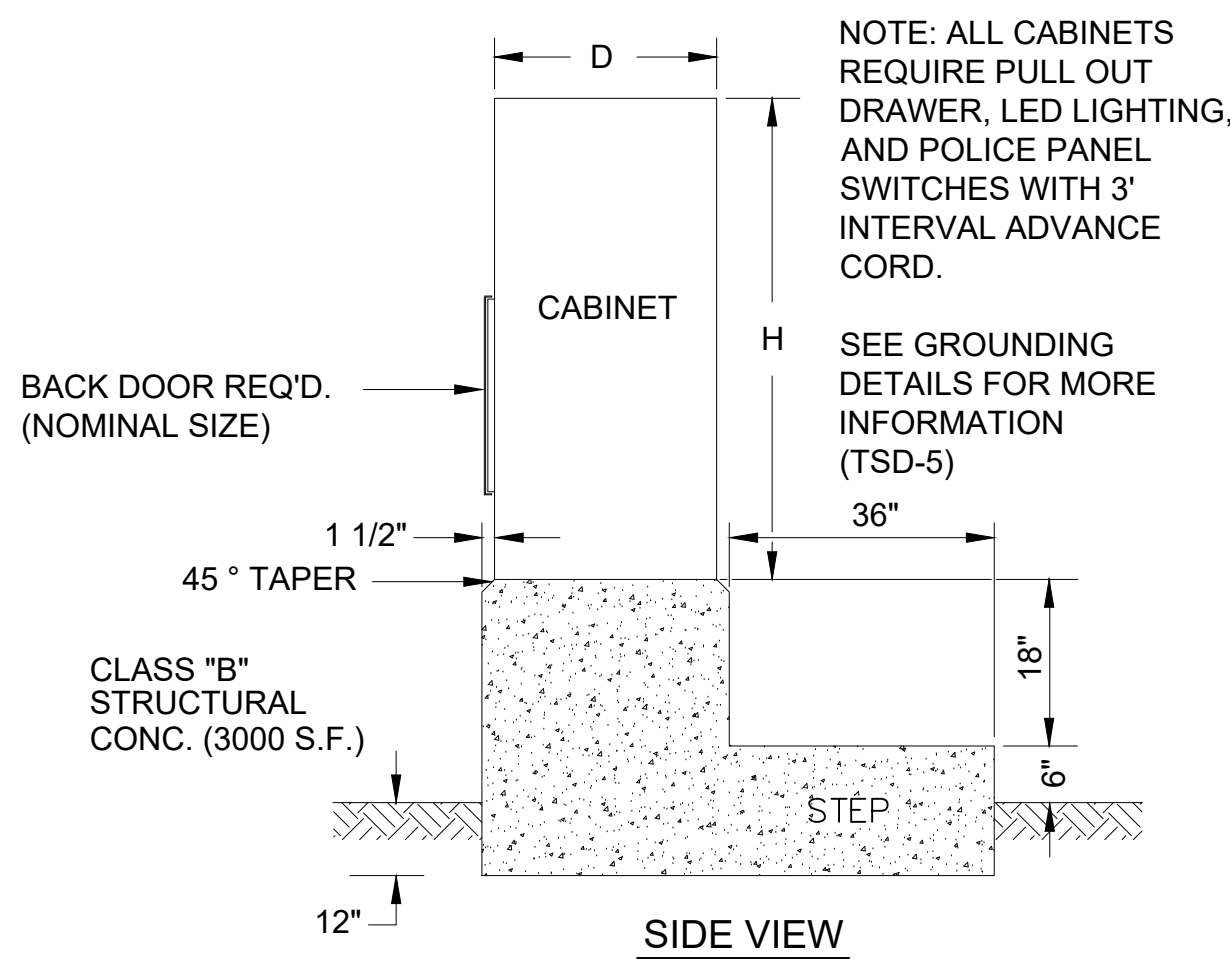
This document, together with the concepts and designs presented herein, is intended only for the specific purpose and client for which it was prepared. Reuse of and improper reliance on this document without written authorization and adaptation by Kimley-Horn and Associates, Inc. shall be without liability to Kimley-Horn and Associates, Inc.



**CONDUIT ENTRANCE DETAIL
(EXISTING CABINET OR POLE)**



PLAN VIEW



SIDE VIEW

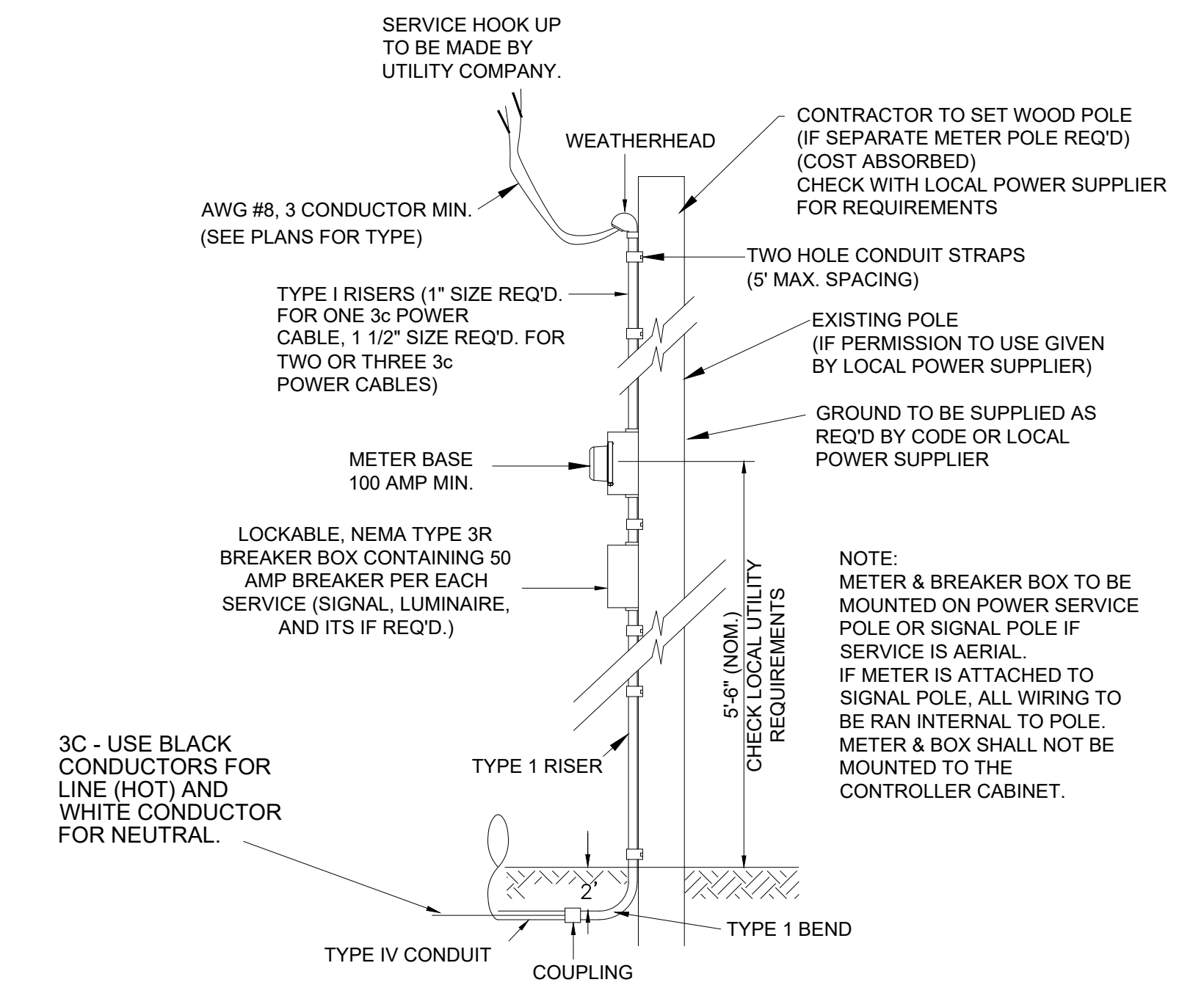
NOTE: ALL CABINETS REQUIRE PULL OUT DRAWER, LED LIGHTING, AND POLICE PANEL SWITCHES WITH 3' INTERVAL ADVANCE CORD.
SEE GROUNDING DETAILS FOR MORE INFORMATION (TSD-5)

NOTE: THE BASE MOUNTED CABINET IS TO BE SITUATED IN THE OPTIMUM POSITION FOR VIEWING THE CONTROLLER OPERATION AND THE ON STREET SIGNAL DISPLAYS SIMULTANEOUSLY. THIS POSITION IS TO BE DETERMINED IN THE FIELD BY THE ENGINEER.

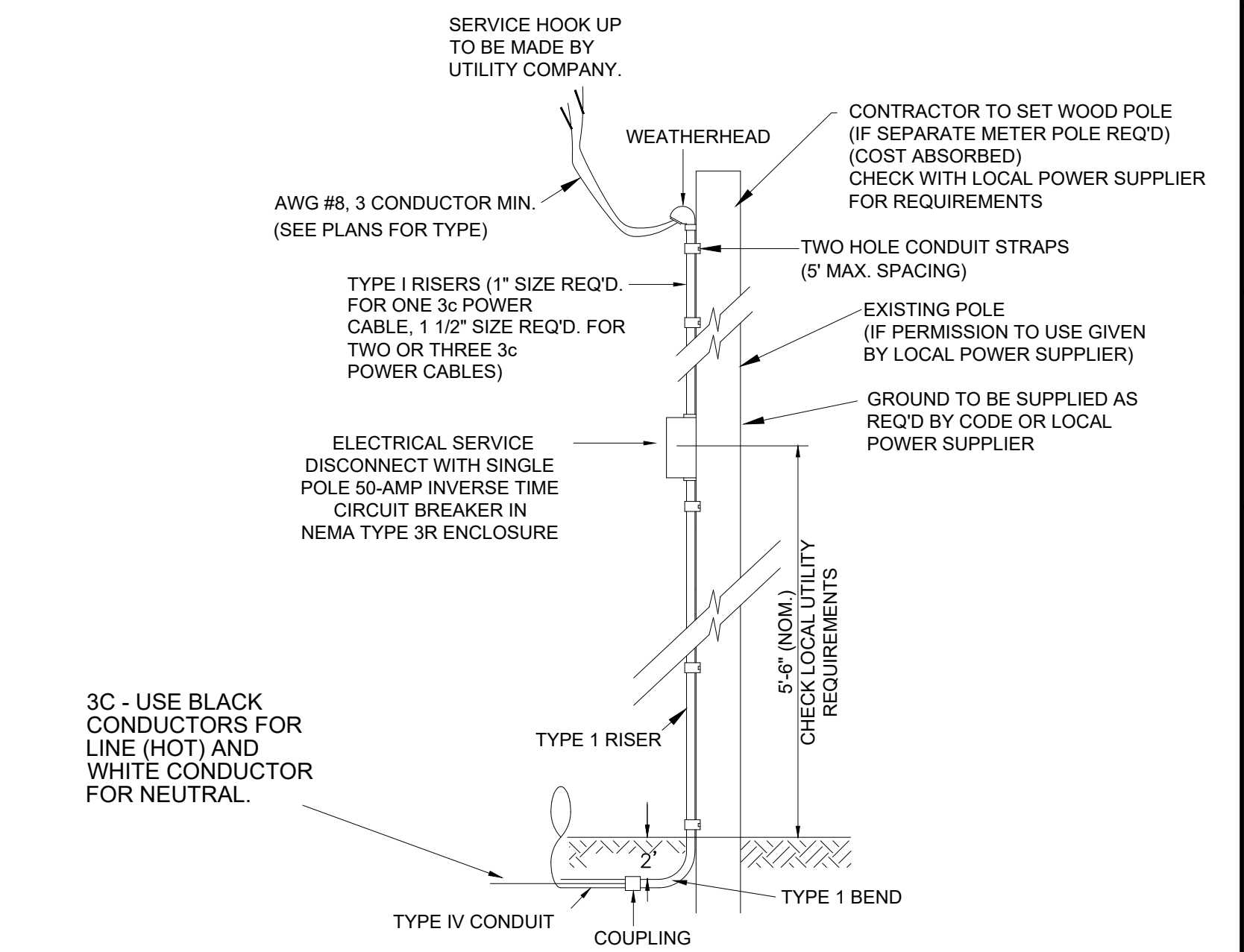
CABINET INFORMATION

TYPE	SIZE (MIN.)	LOAD BAY
TYPE I CABINET	51"H x 30"W x 18"D	8 POSITION
TYPE II CABINET	51"H x 36"W x 18"D	12 POSITION
TYPE III CABINET	56"H x 44"W x 27"D	16 POSITION
TYPE IV CABINET	56"H x 57"W x 29"D	16 POSITION
TYPE V CABINET	77"H x 44"W x 27"D	16 POSITION

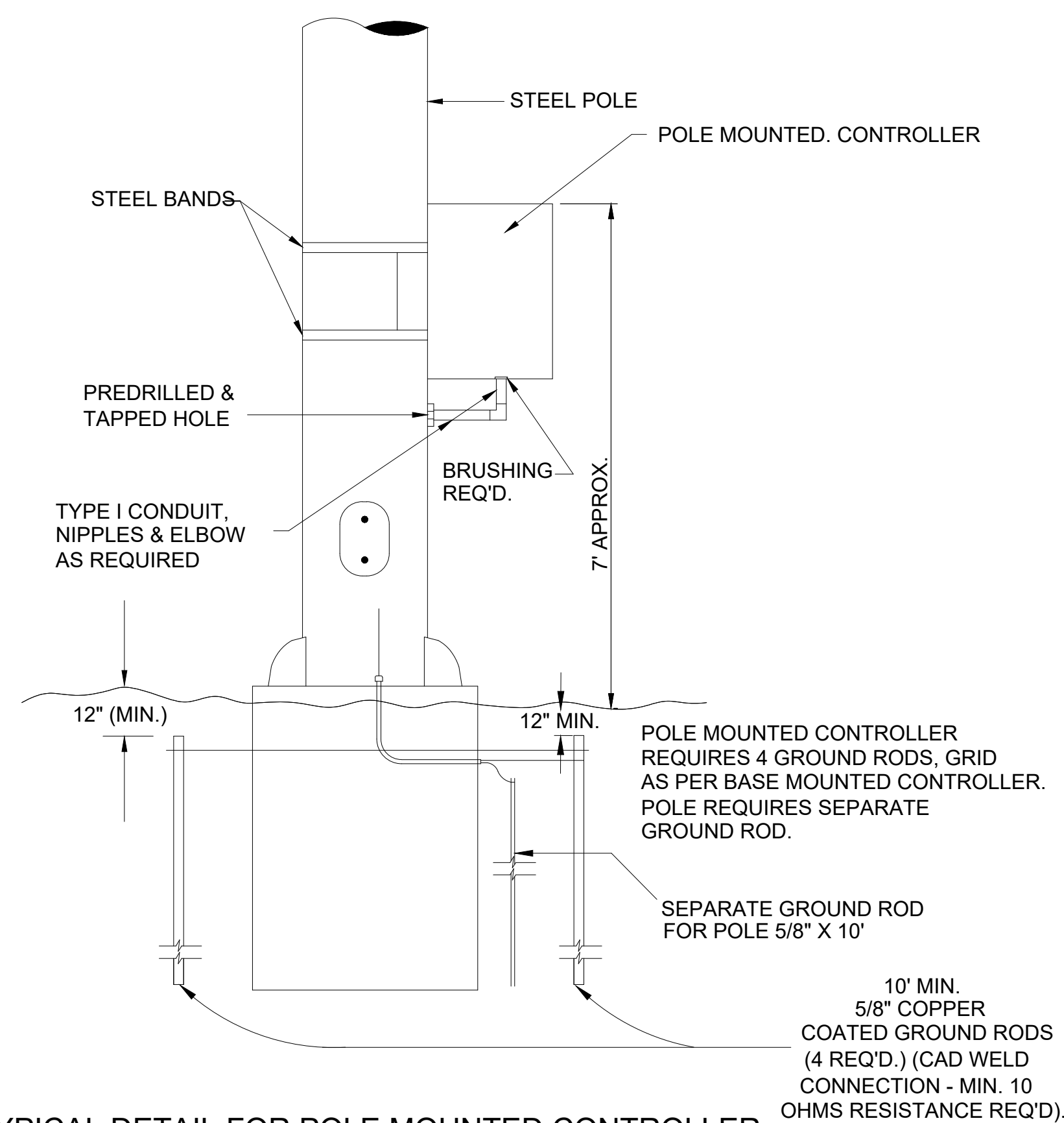
TYPE I AND II MAY BE POLE OR BASE MOUNTED, ALL OTHERS ARE BASE MOUNT. CONTRACTOR TO VERIFY CABINET SIZE BEFORE POURING FOUNDATION.



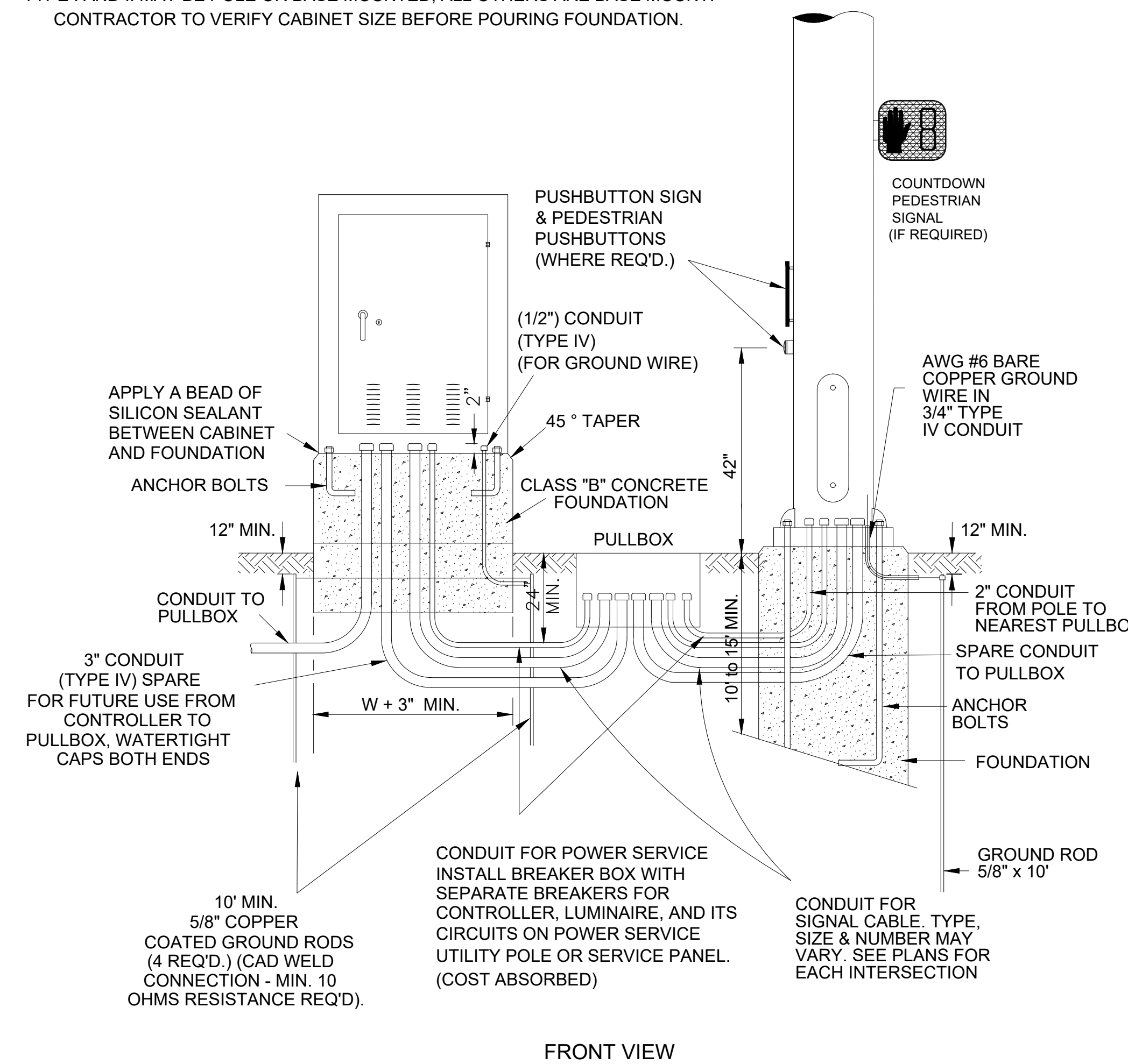
**POWER SERVICE DETAIL
TO BE USED WHEN METER IS SET ON POLE.**



**POWER SERVICE DETAIL
TO BE USED FOR POWER SERVICE PEDESTAL - SEE TSD-7 FOR DETAILS.**



TYPICAL DETAIL FOR POLE MOUNTED CONTROLLER



FRONT VIEW

TYPICAL DETAIL OF BASE FOR CONTROLLER EQUIPMENT CABINET

NOT TO SCALE

NO.	REVISIONS	DATE	BY

Kimley»Horn

420 N 20TH ST, SHIPT TOWER STE 2200, BIRMINGHAM, AL 35203
PHONE: 205-558-5831
WWW.KIMLEY-HORN.COM



KHA PROJECT	142362033
DATE	2/2022
SCALE	AS SHOWN
DESIGNED BY	BST
DRAWN BY	BST
CHECKED BY	CBB

**CONTROLLER
CABINET AND POWER
SERVICE DETAILS**

LOVE'S TRAVEL STOP
TRAFFIC SIGNAL DESIGN
PREPARED FOR
MDOT

