

STIPULATION FOR REUSE  
THIS DRAWING IS PREPARED FOR USE ON A SPECIFIC SITE AT A PARTICULAR TIME AND PLACE. IT IS NOT TO BE REUSED OR REPRODUCED FOR ANY OTHER PROJECT OR AT ANY OTHER TIME WITHOUT THE WRITTEN CONSENT OF HARRISON FRENCH & ASSOCIATES, L.T.D. ANY REUSE OF THIS DRAWING FOR ANY OTHER PROJECT IS AT THE USER'S SOLE RISK AND WITHOUT LIABILITY TO HARRISON FRENCH & ASSOCIATES, L.T.D.

**Loves**  
STORE NUMBER: 860  
I-59, EXIT 1  
NICHOLSON, MS 39463  
JOB NUMBER: 03-22-30003

ISSUE BLOCK

CHECKED BY: LST

DRAWN BY: CRM

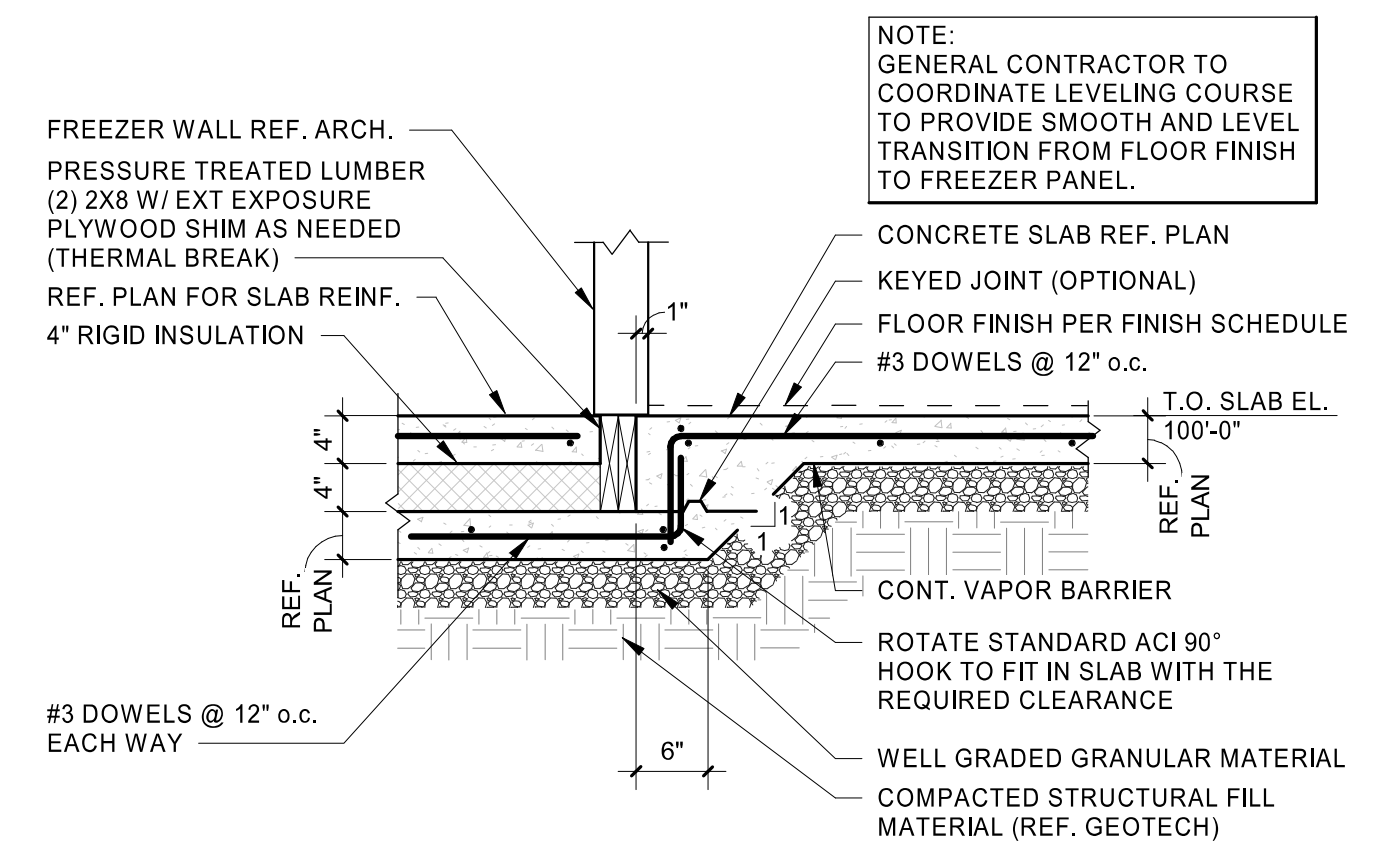
DOCUMENT DATE: 02/06/23



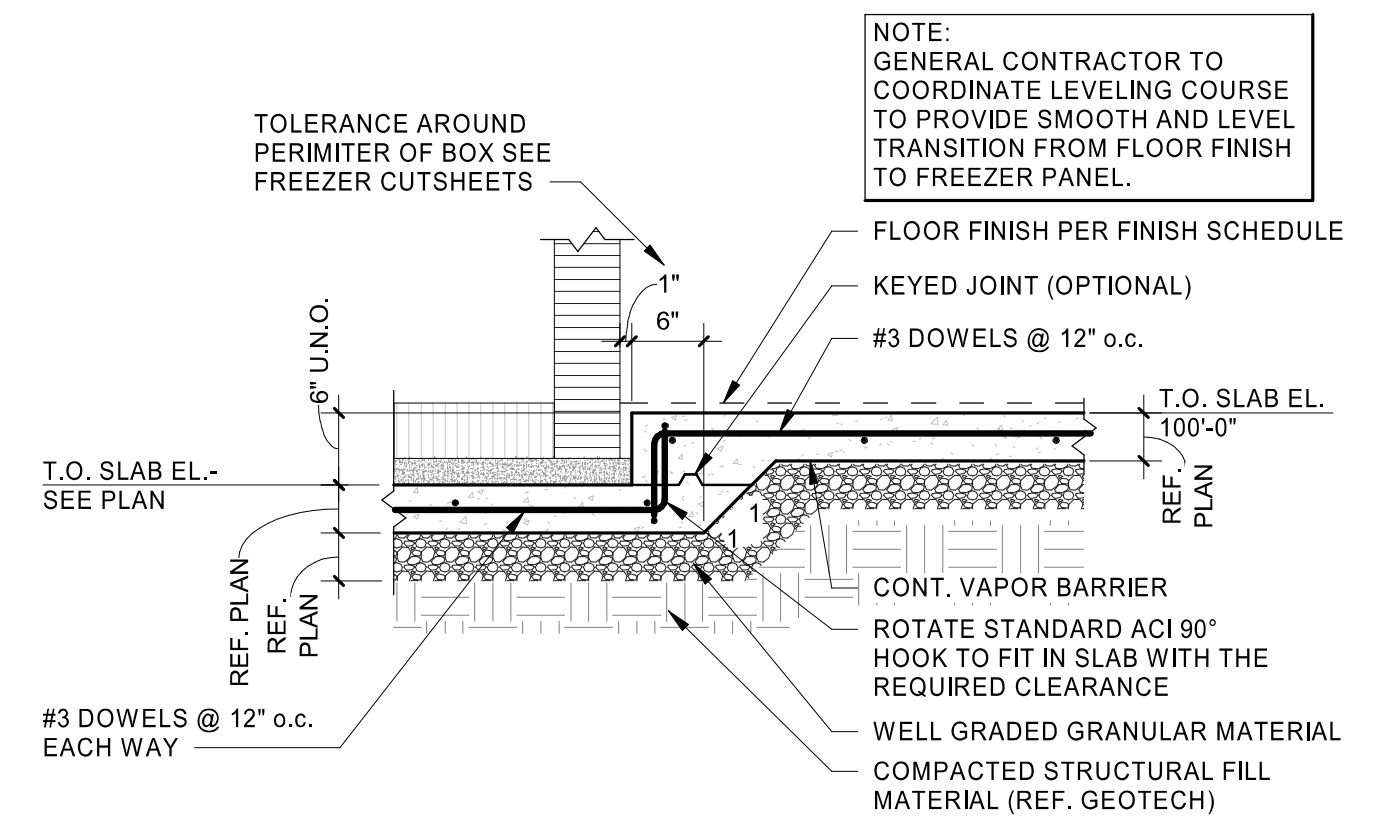
2023.02.06 14:08:13-06'00"

FOUNDATION SECTIONS

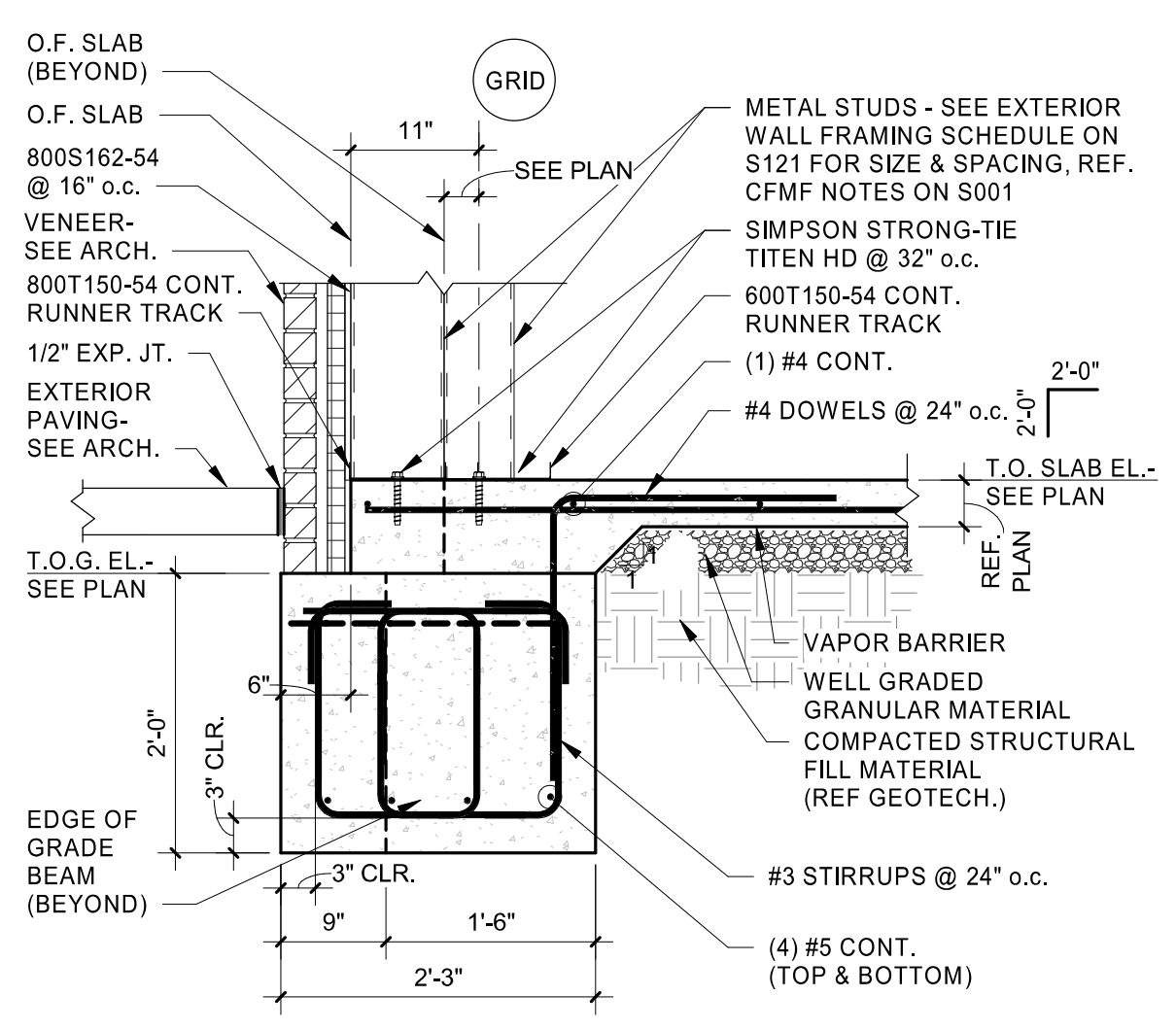
SHEET: S402



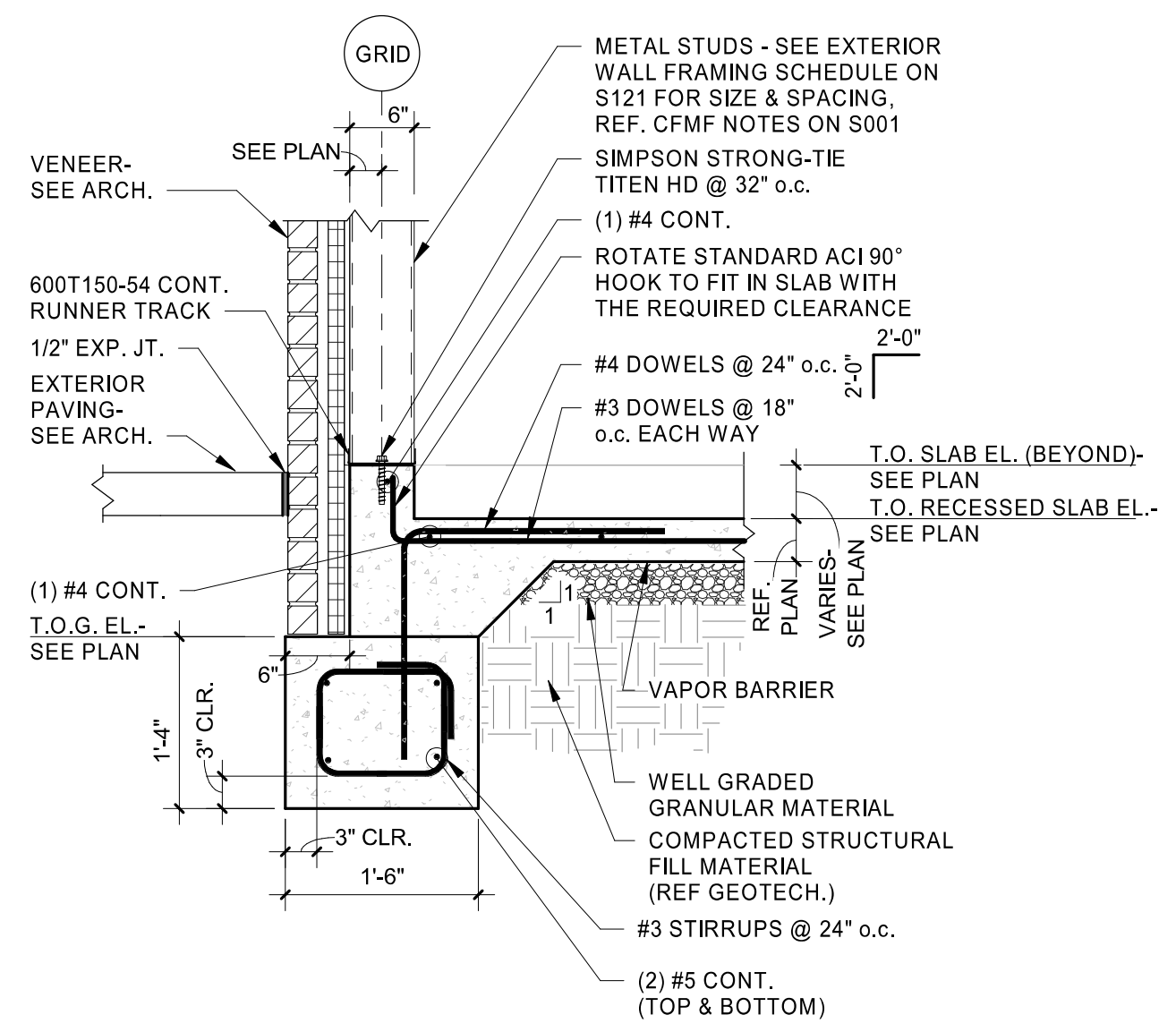
**9 SECTION AT FREEZER RECESS**  
3/4" = 1'-0"



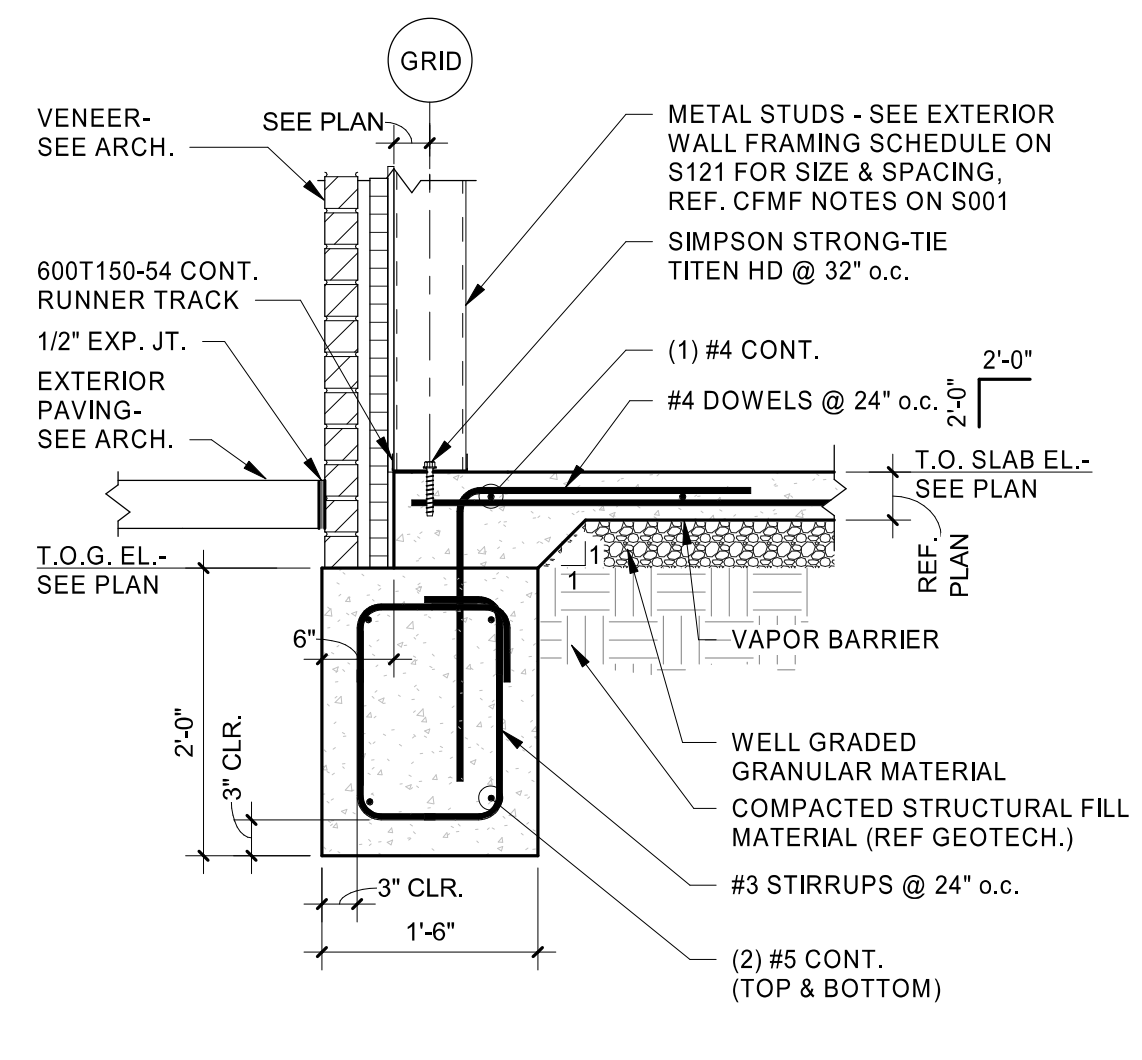
**5 SECTION AT FREEZER RECESS**  
3/4" = 1'-0"



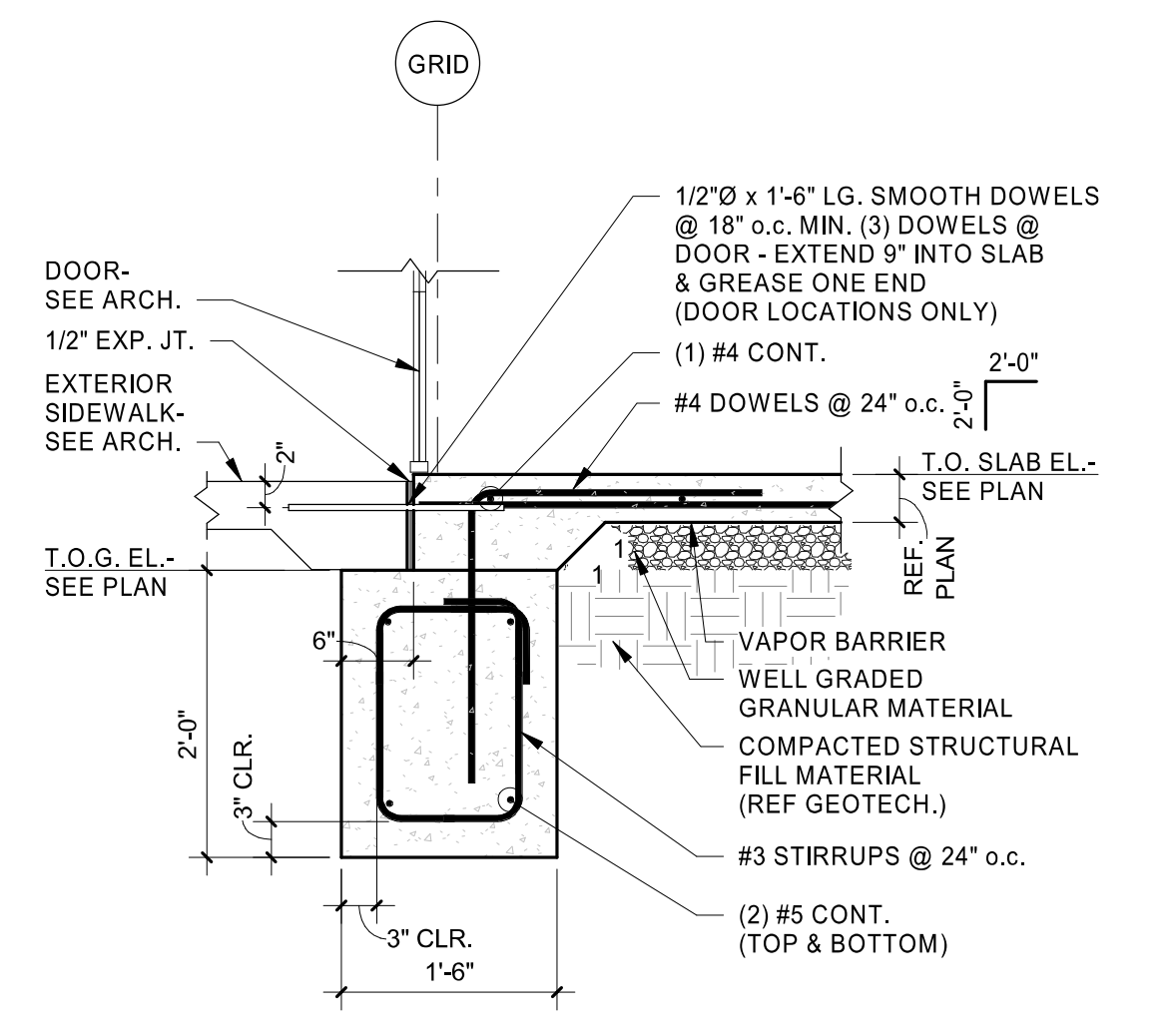
**6 SECTION AT BUMP-OUT**  
3/4" = 1'-0"



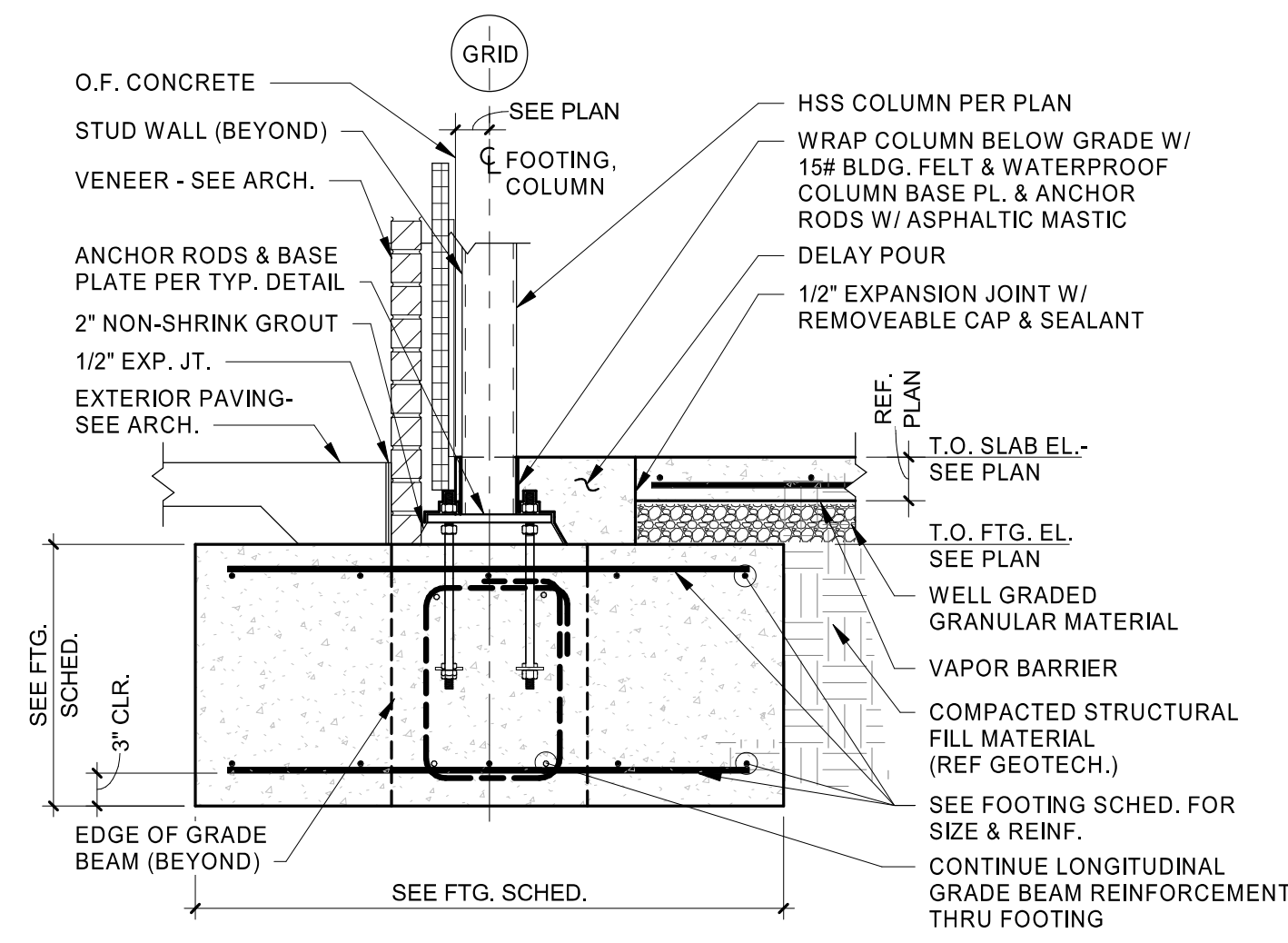
**7 SECTION**  
3/4" = 1'-0"



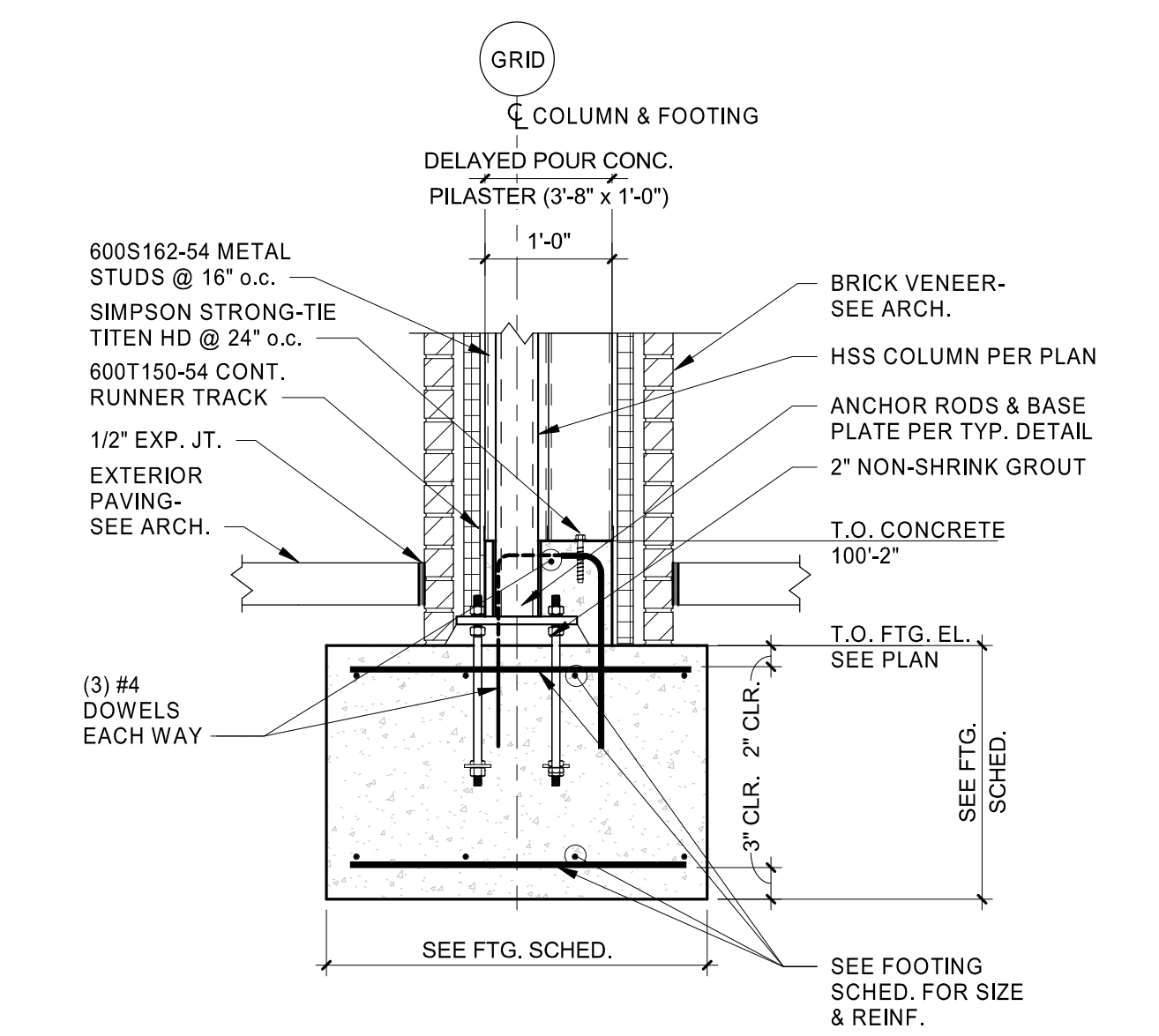
**2 SECTION**  
3/4" = 1'-0"



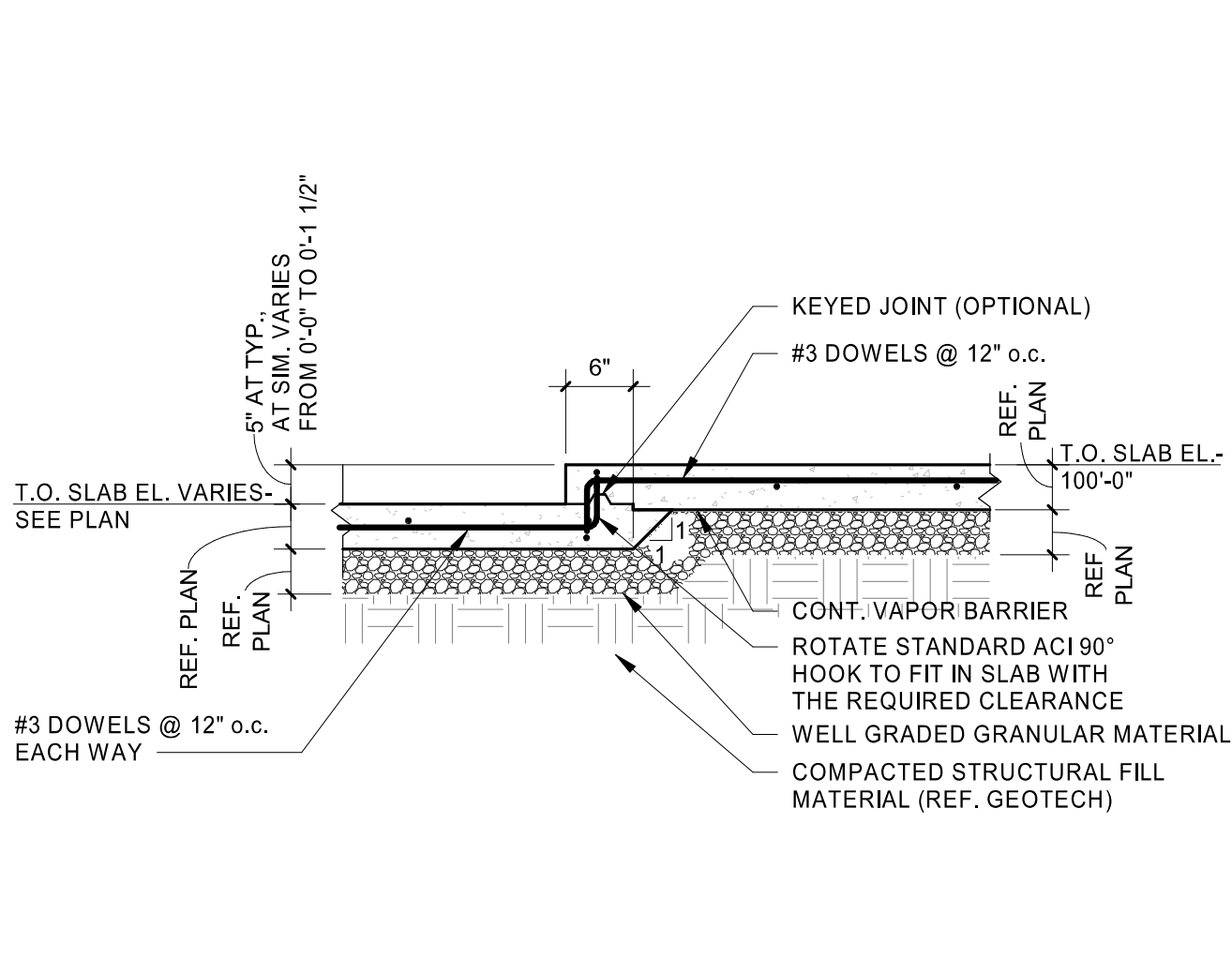
**1 SECTION**  
3/4" = 1'-0"



**3 SECTION**  
3/4" = 1'-0"



**8 SECTION**  
3/4" = 1'-0"



**4 SECTION AT SHOWER RECESS**  
3/4" = 1'-0"

2/20/2023 9:46:56 AM  
 C:\Users\cmf\OneDrive\Documents\2023 Files\Projects\Level, Foundation, MS, STR, TZ, RD, 273\_HFA\_Chaok\_May\_21  
 2700-6409-Foundation/Foundation Sections