

STIPULATION FOR REUSE
THE DRAWINGS ARE PREPARED FOR
USE ON A SPECIFIC SITE AT
CONTINGENTLY WITH ITS ISSUE
DATE. IT IS NOT TO BE REUSED
FOR ANY OTHER PROJECT OR
PROJECT SITE AT A LATER DATE
OR FOR ANY OTHER PROJECT
UNLESS ARCHITECTS AND ENGINEERS
REUSE OF ANY OTHER PROJECT IS NOT
THE LAW.

Loves
STORE NUMBER: 860
I-59, EXIT 1
NICHOLSON, MS 39463
JOB NUMBER: 03-22-3003

ISSUE BLOCK

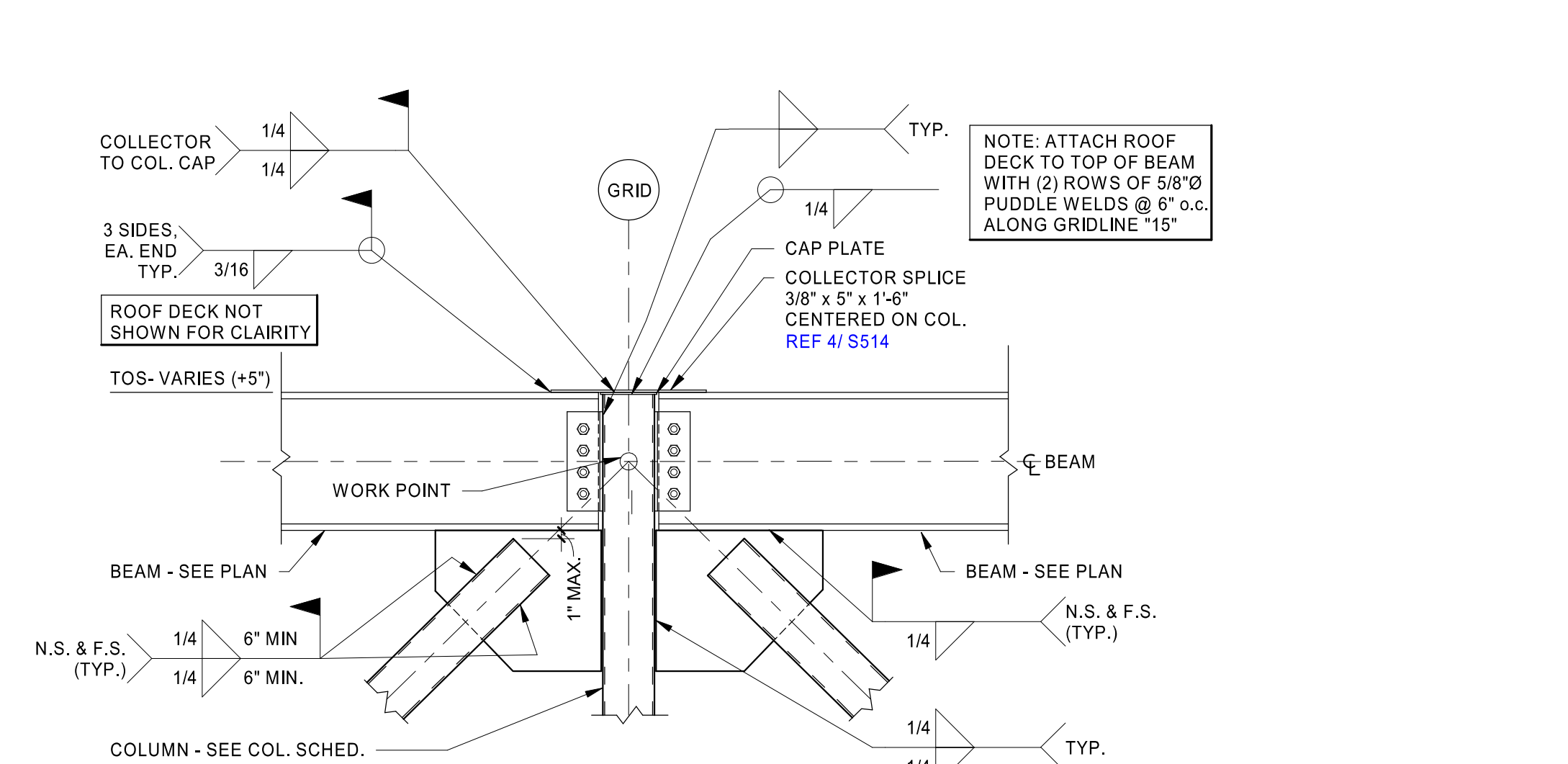
CHECKED BY: LST
DRAWN BY: CRM
DOCUMENT DATE: 02/06/23

LUNGSHEN TSAO
LICENSED PROFESSIONAL
ENGINEER
STATE OF MISSISSIPPI
20847

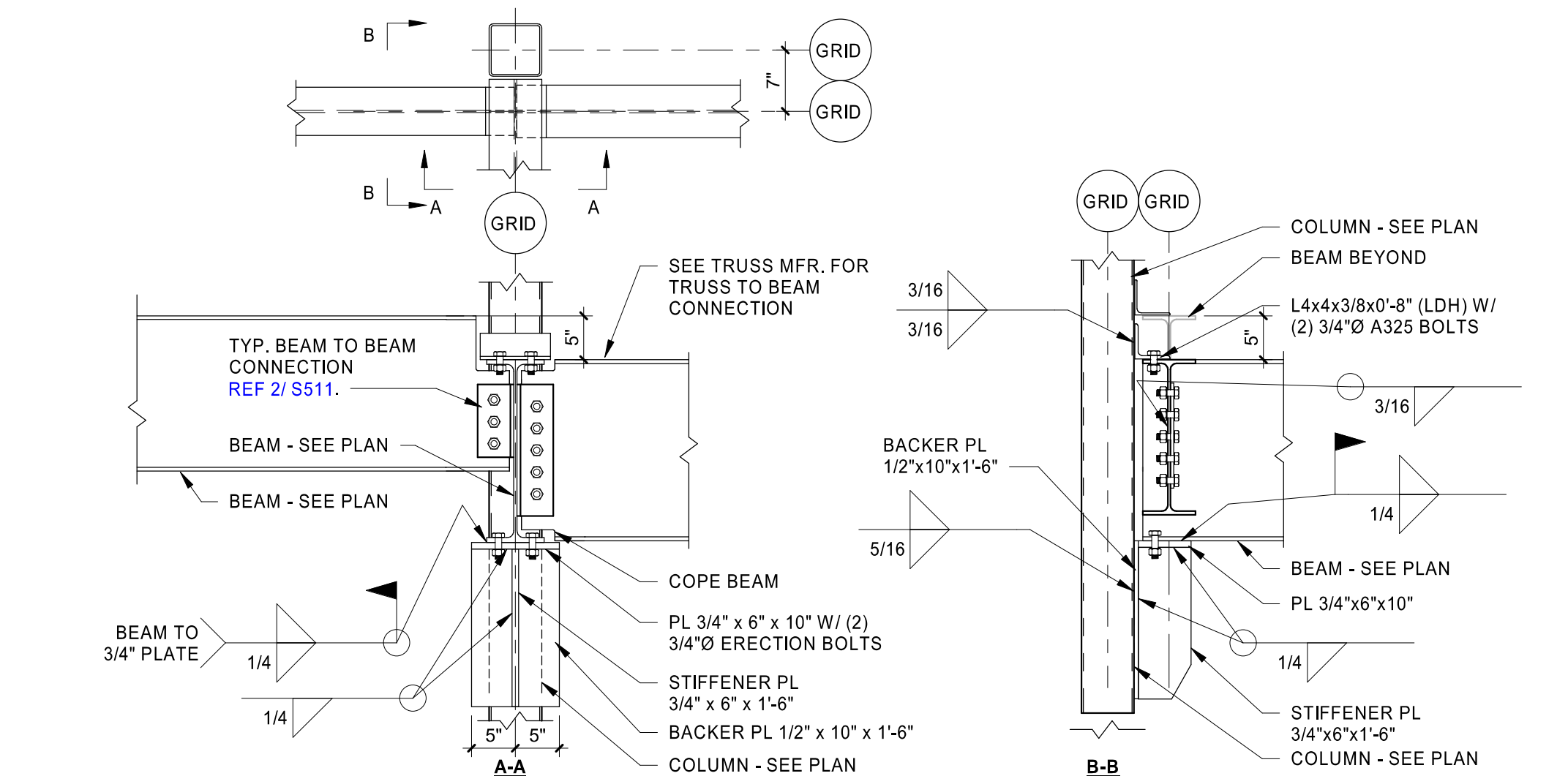
2023.02.06 14:07:24-06'00'

FRAMING DETAILS

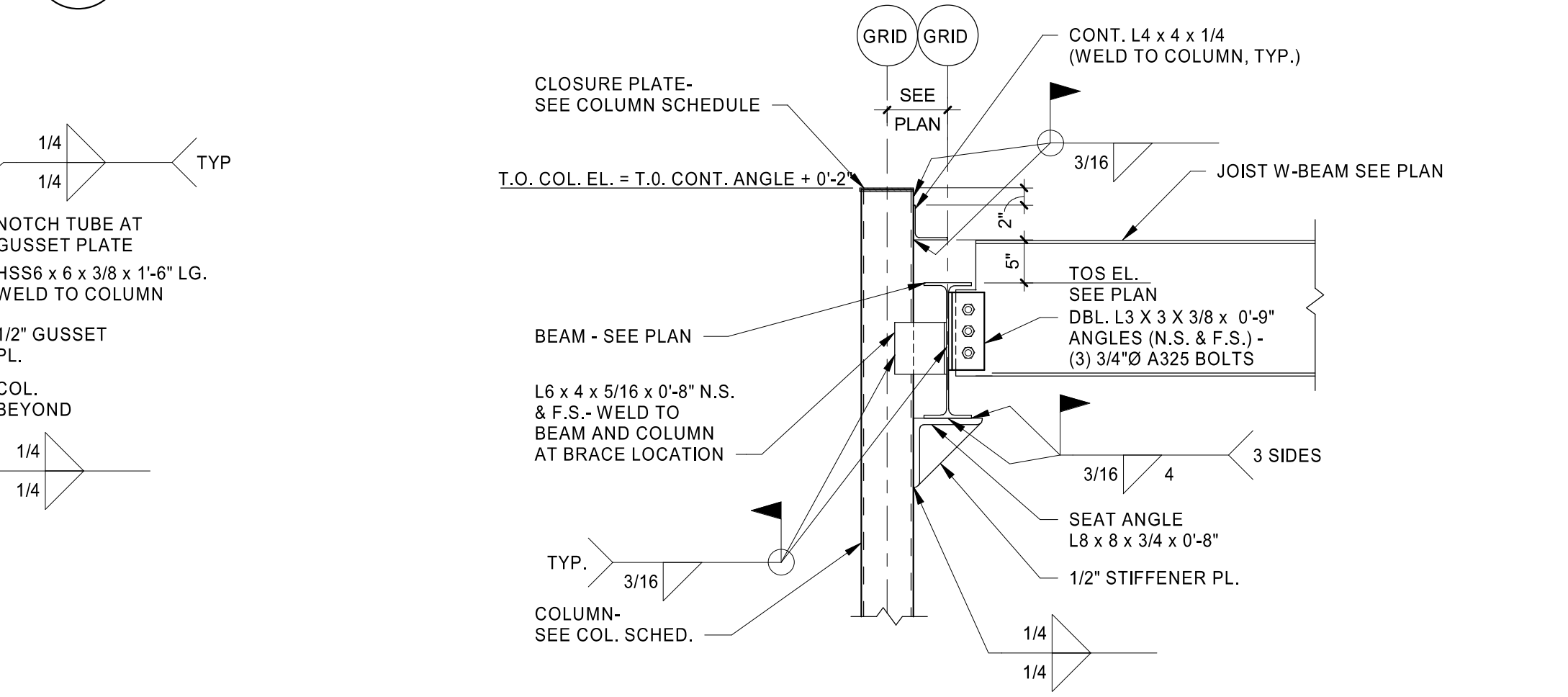
SHEET: S515



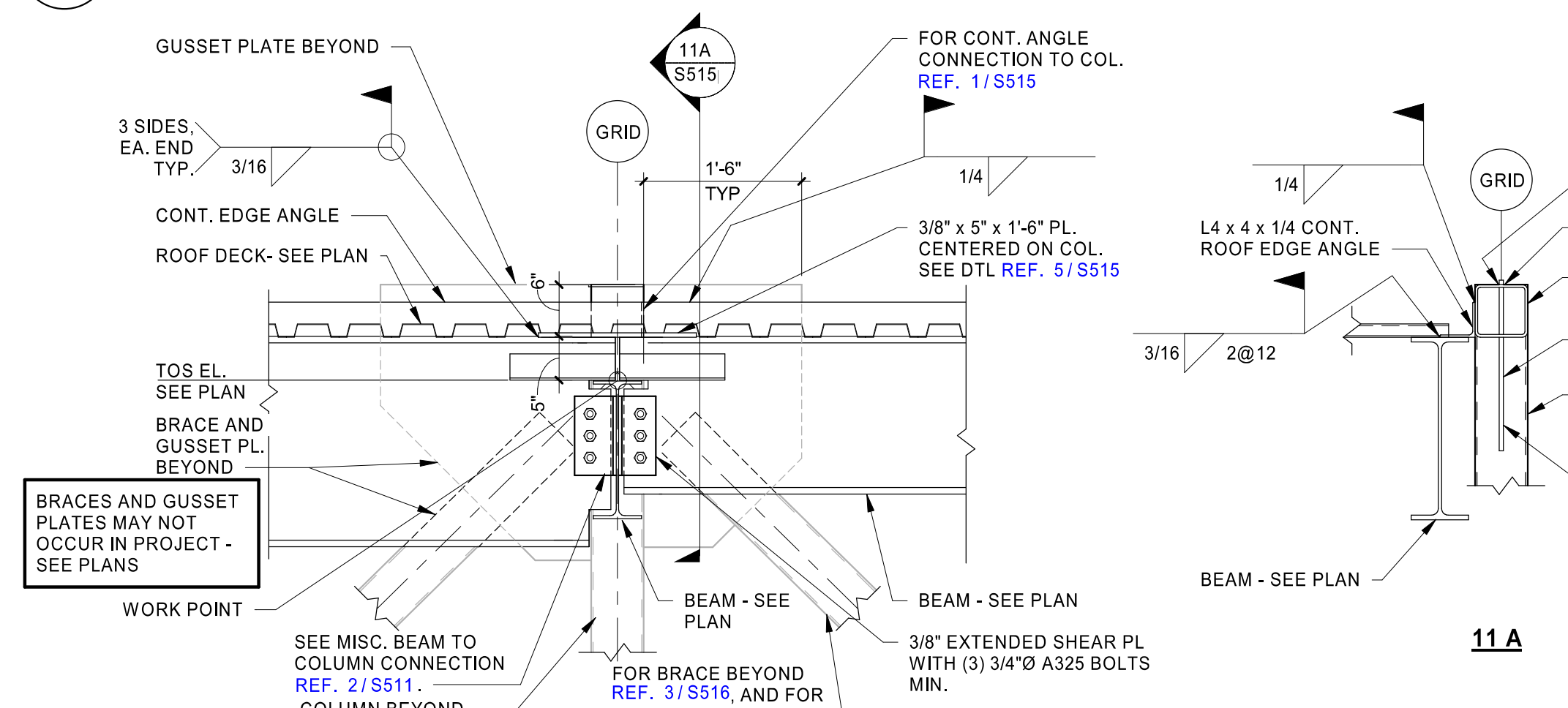
13 **DETAIL @ INTERIOR BRACE**
3/4" = 1'-0"



14 **GIRDER SEATED CONN TO COLUMN**
3/4" = 1'-0"



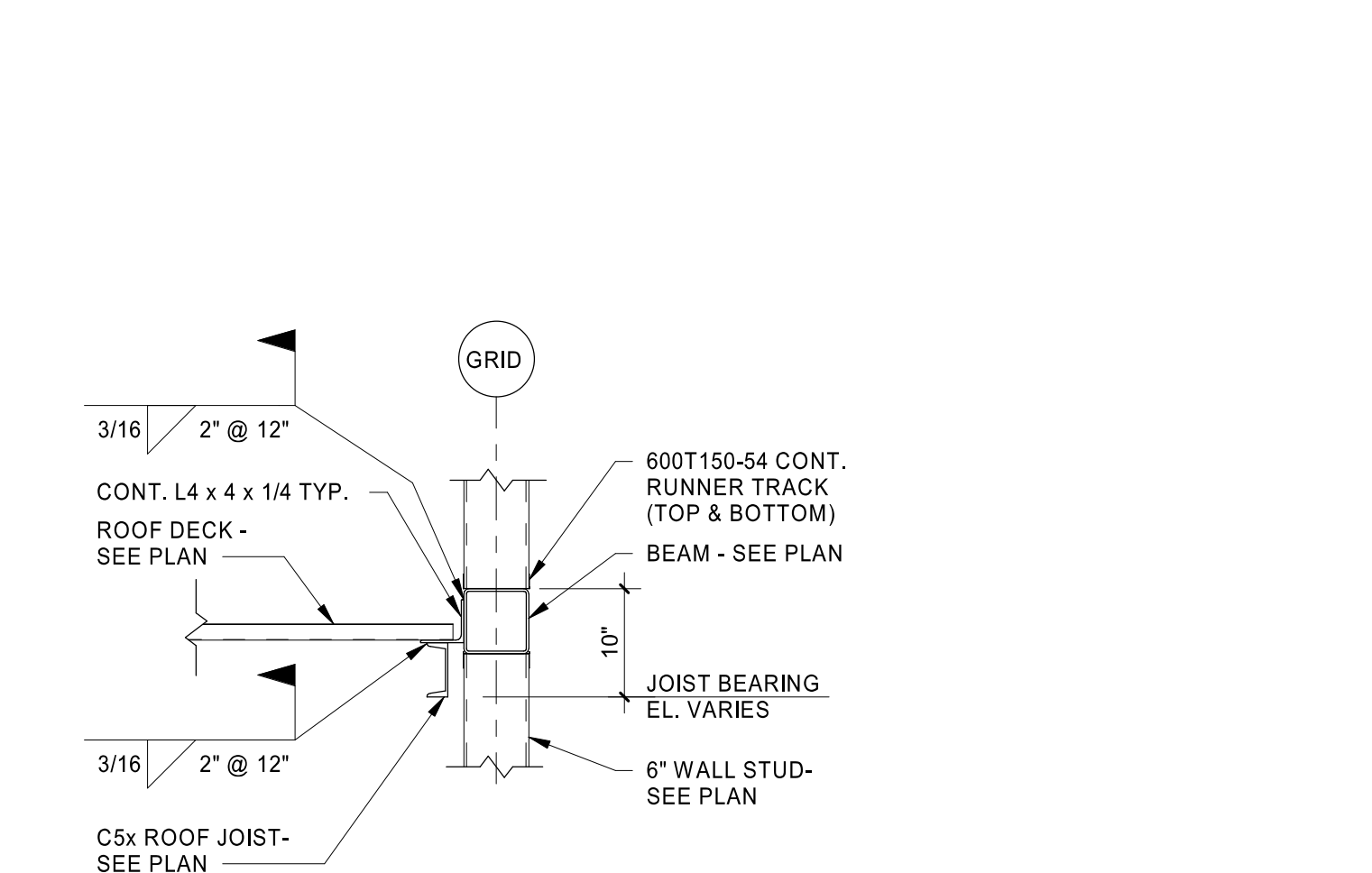
10 **JOIST BEAM TO GIRDER BEAM AT COLUMN**
NOT TO SCALE



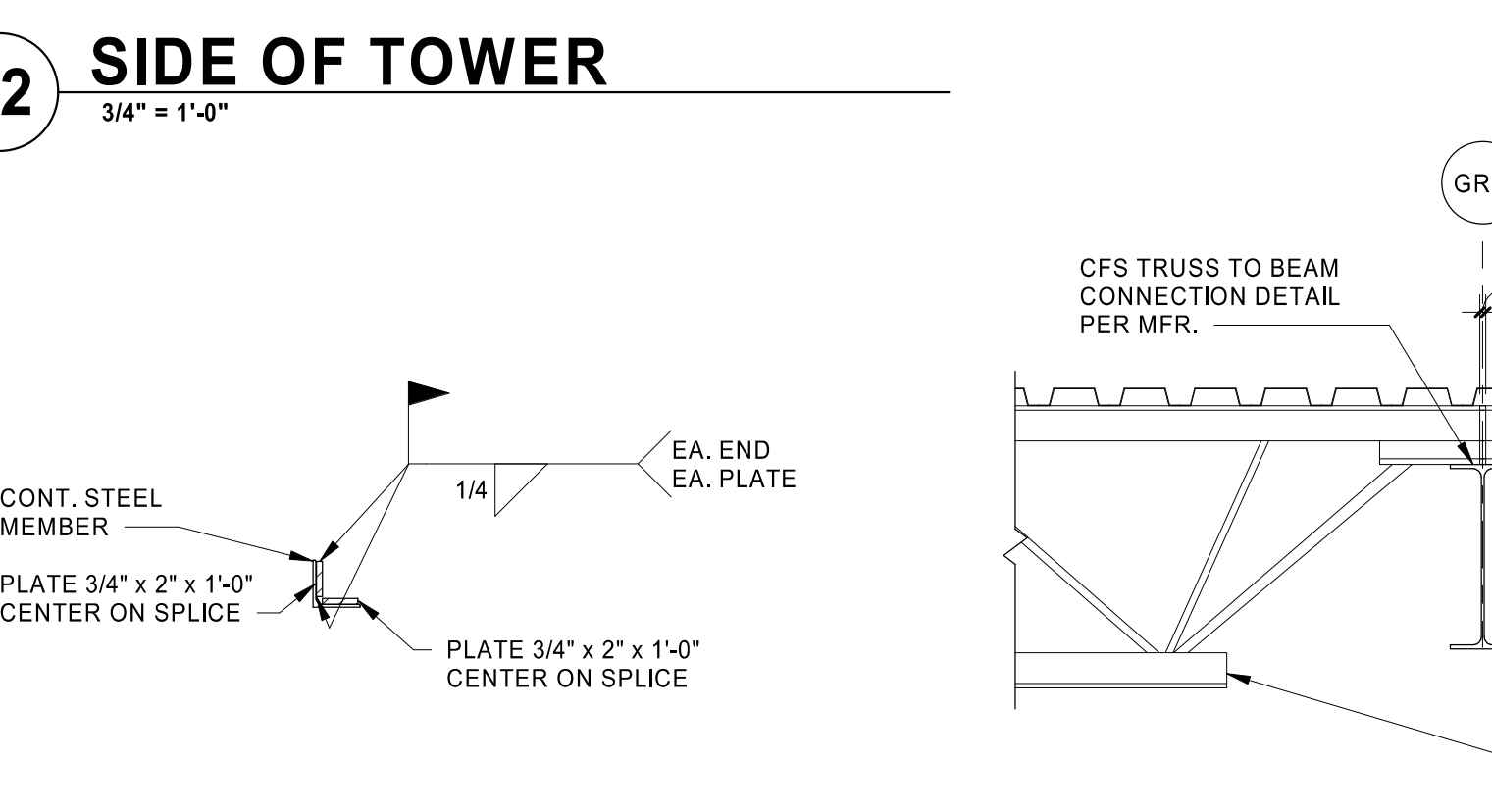
11 **DETAIL @ EXTERIOR BRACE**
3/4" = 1'-0"



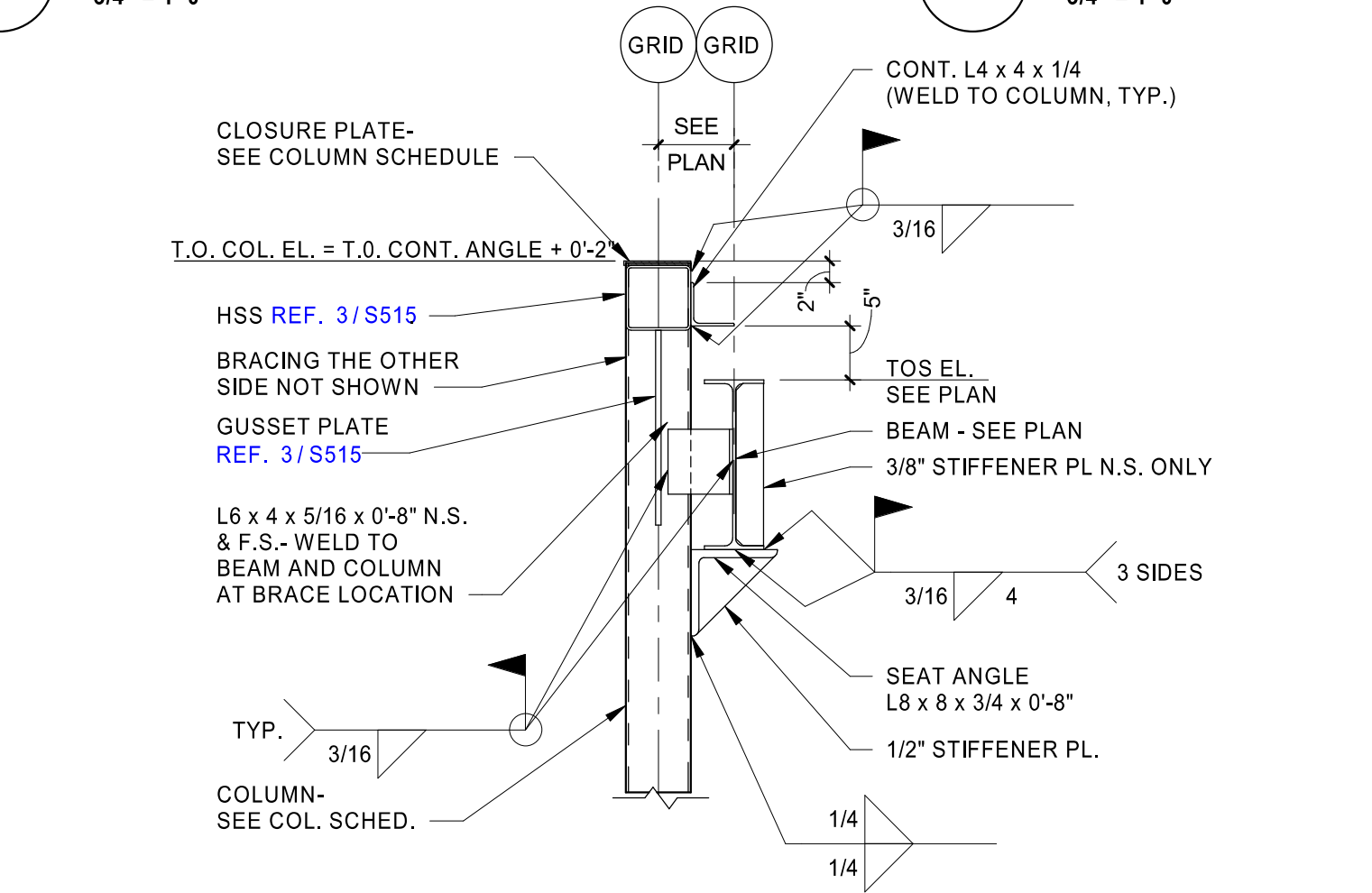
12 **SIDE OF TOWER**
3/4" = 1'-0"



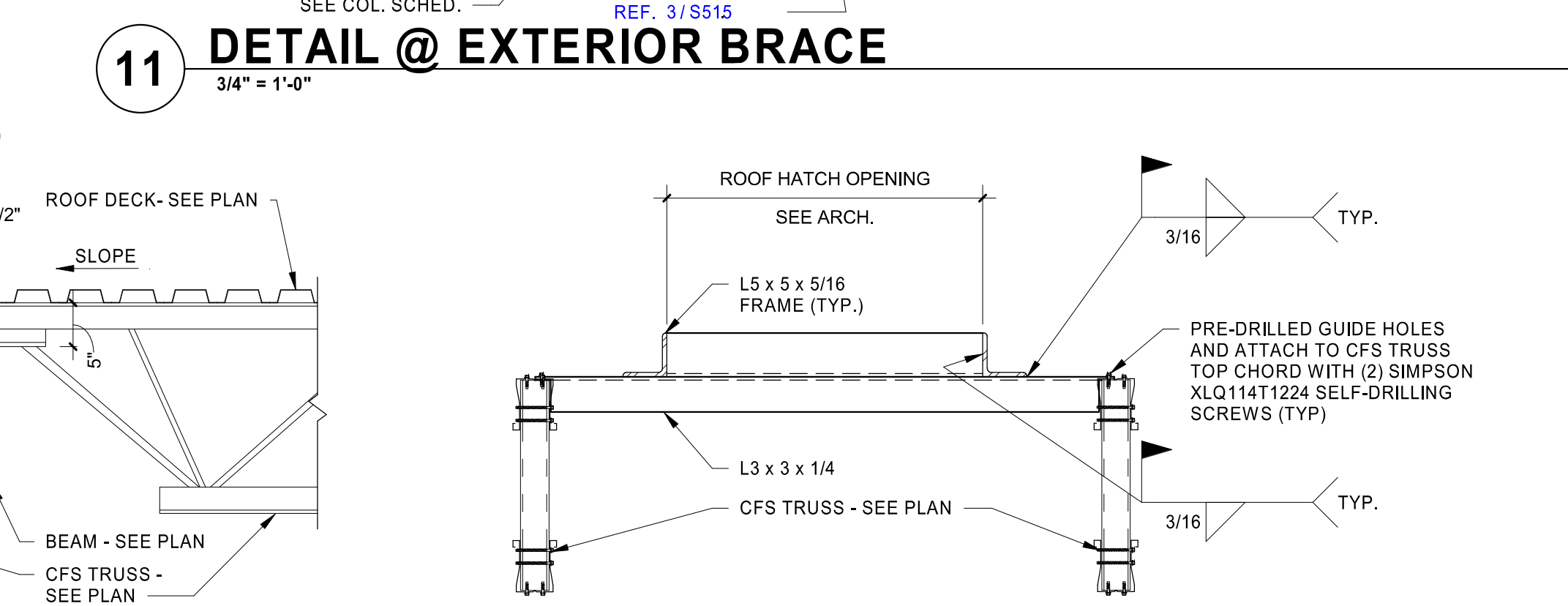
8 **TYP. AT JOIST BEARING**
3/4" = 1'-0"



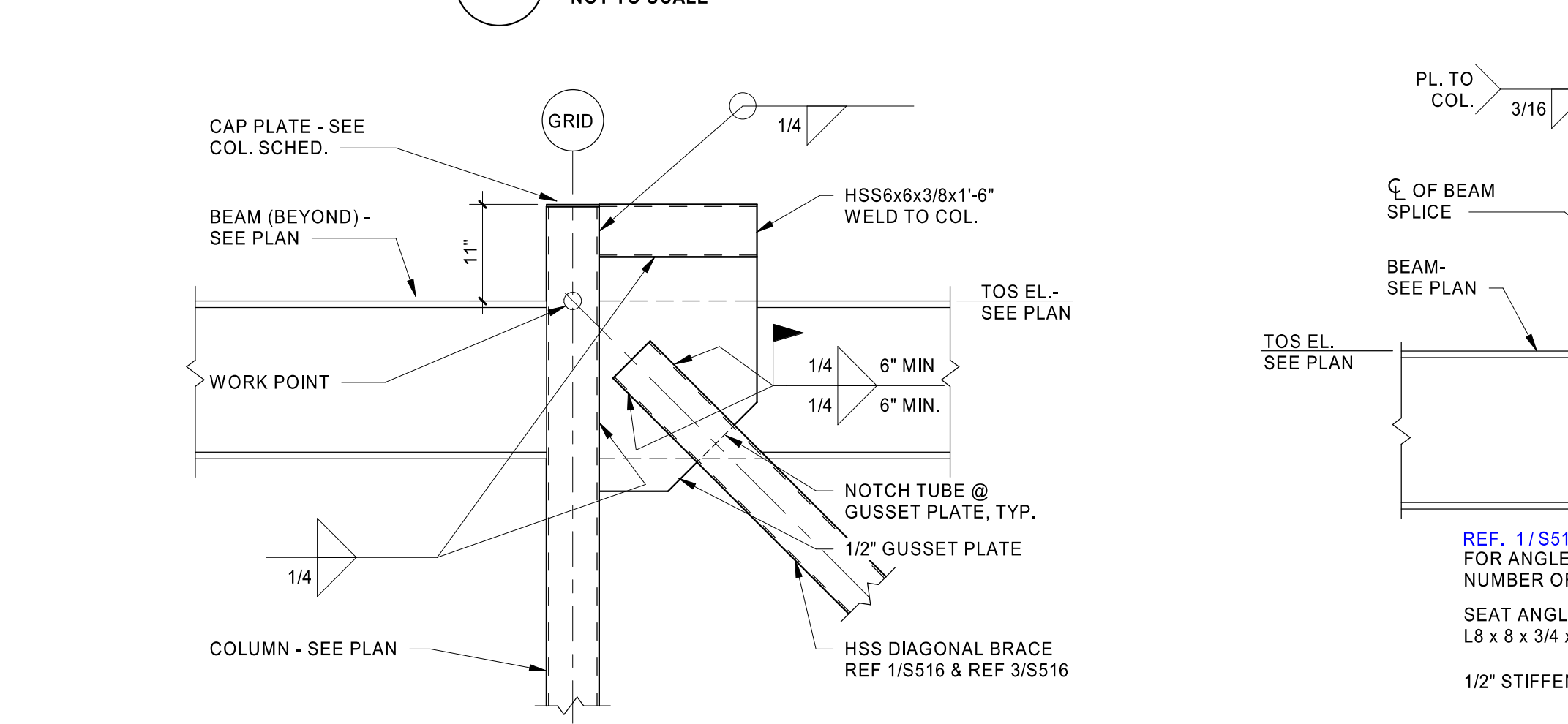
9 **CONT. ANGLE SPLICE**
3/4" = 1'-0"



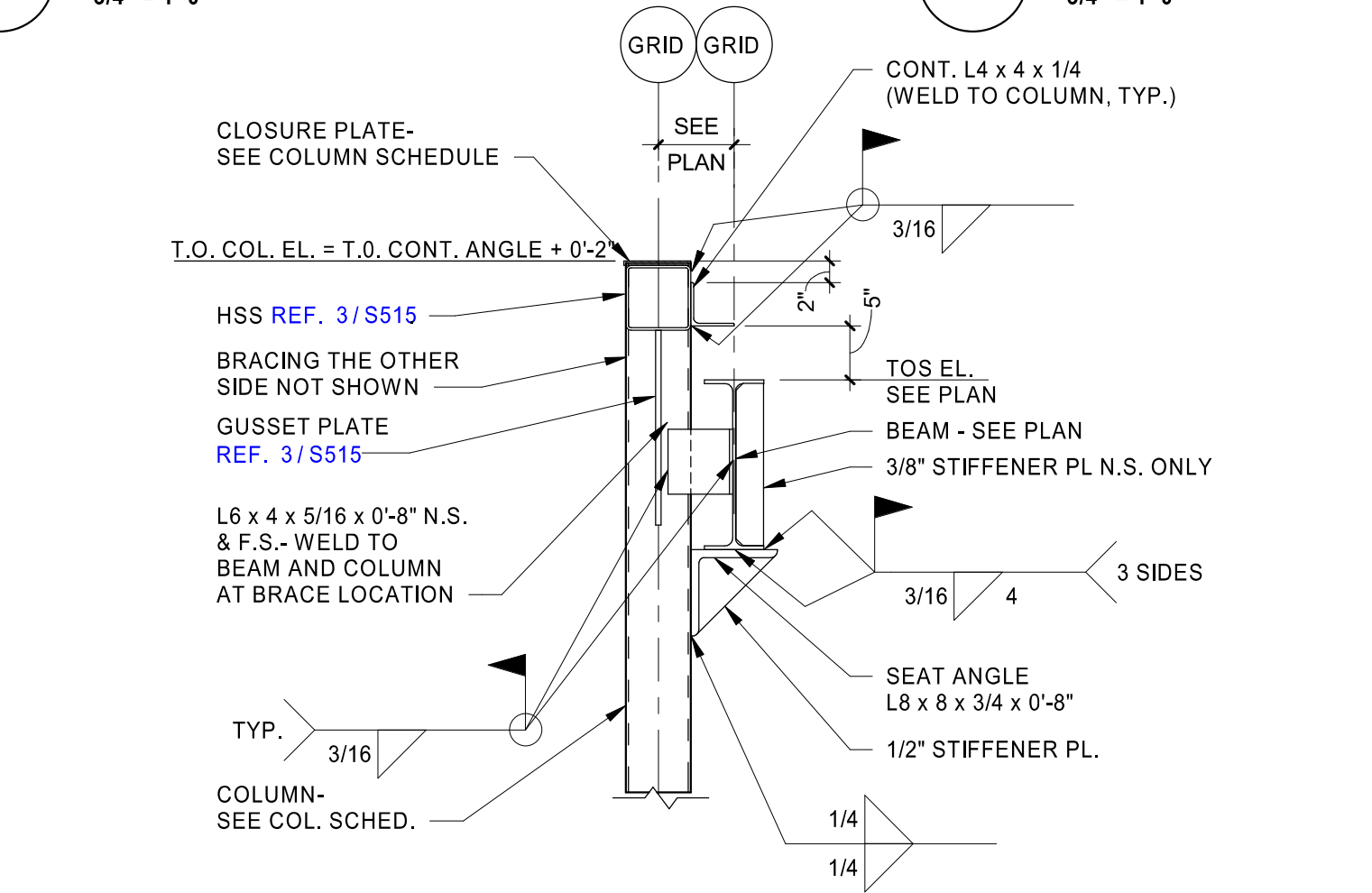
4 **TYP. BEAM TO COLUMN CONNECTION AT DIAGONAL BRACE LOCATIONS**
NOT TO SCALE



7 **TYP. ROOF HATCH**
NOT TO SCALE



3 **DETAIL AT EXTERIOR BRACED FRAME ALONG GIRDER BEAM**
3/4" = 1'-0"



2 **TYP. BEAM SEAT @ EXTERIOR COLUMNS**
NOT TO SCALE



1 **TYP. BEAM SEAT TO COLUMN CONNECTION**
NOT TO SCALE