

STIPULATION FOR REUSE
 THESE DRAWINGS ARE PREPARED FOR
 USE ON A SPECIFIC SITE AT
 THE LOCATION AND DATE SPECIFICALLY
 IDENTIFIED HEREON. ANY REUSE OF
 THESE DRAWINGS FOR ANY OTHER
 PROJECT, SITE, OR AT A LATER TIME
 WITHOUT THE WRITTEN CONSENT OF
 HARRISON FRENCH & ASSOCIATES,
 PLLC IS STRICTLY PROHIBITED. ANY
 REUSE OF THESE DRAWINGS WITHOUT
 THE WRITTEN CONSENT OF HARRISON
 FRENCH & ASSOCIATES, PLLC IS
 PROHIBITED AND WILL BE CONSIDERED
 A VIOLATION OF THE LAW.

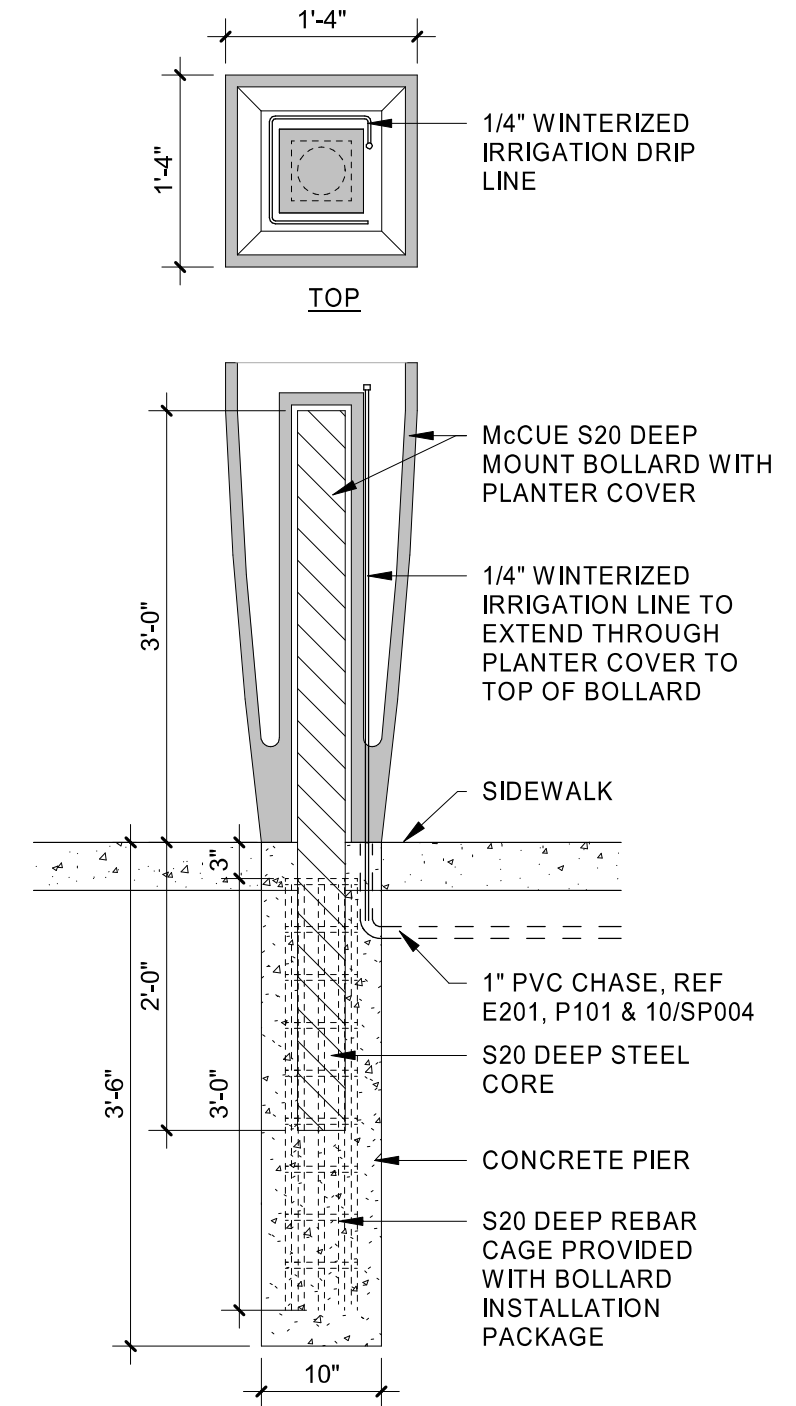
Loves
 STORE NUMBER: 860
 I-59, EXIT 1
 NICHOLSON, MS 39466
 JOB NUMBER: 03-23-30009
 T1-180

ISSUE BLOCK

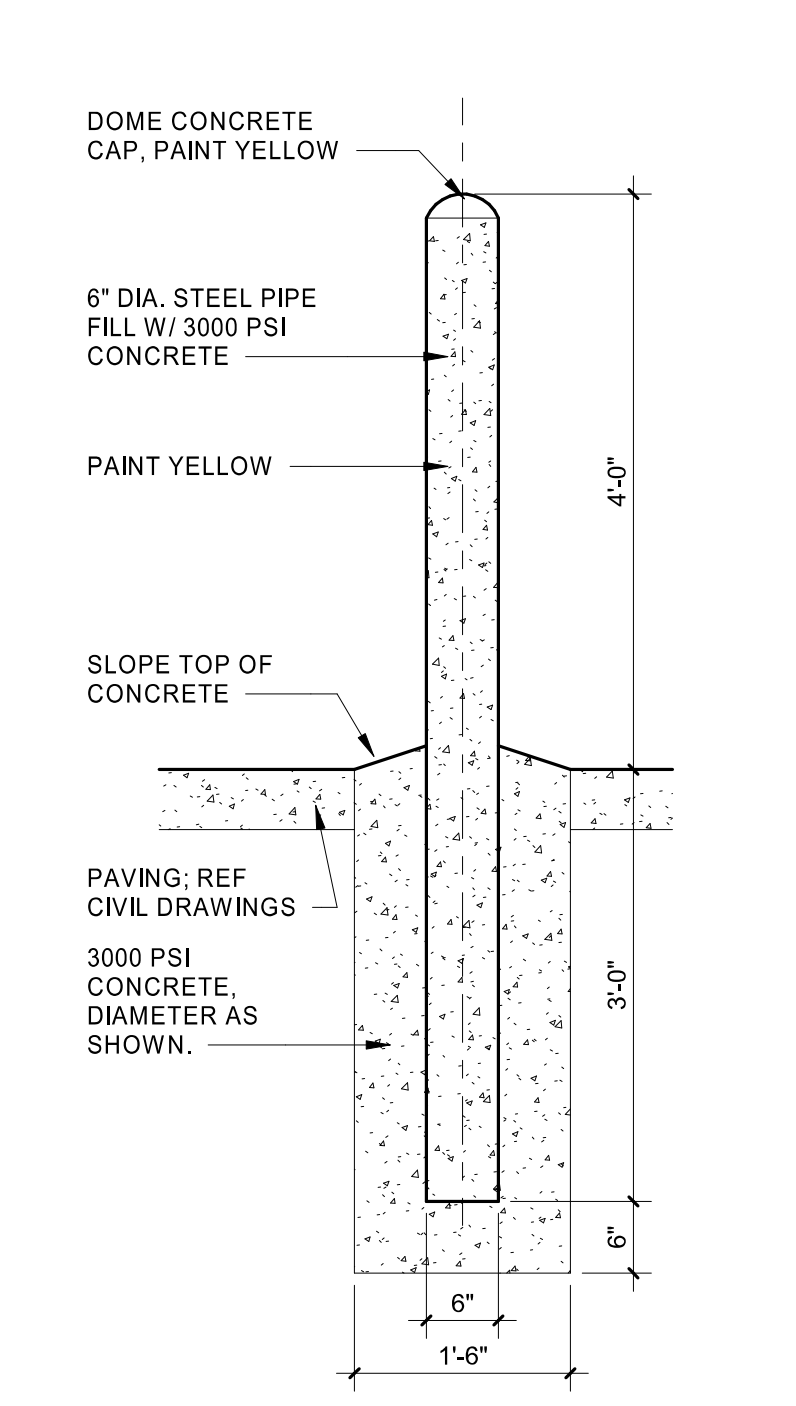
CHECKED BY: MAP
 DRAWN BY: ASE
 DOCUMENT DATE: 02/06/23
 PROTO: T1-180
 PROTO CYCLE: Q4 - 2022

REGISTERED ARCHITECT
 BOGUE L. EBBRECHT
 4925
 STATE OF MISSISSIPPI
 Bogue Louis Ebbrecht
 4925
 MISSISSIPPI
 Bogue Louis Ebbrecht
 4925
 MISSISSIPPI
 15-43-47-0007

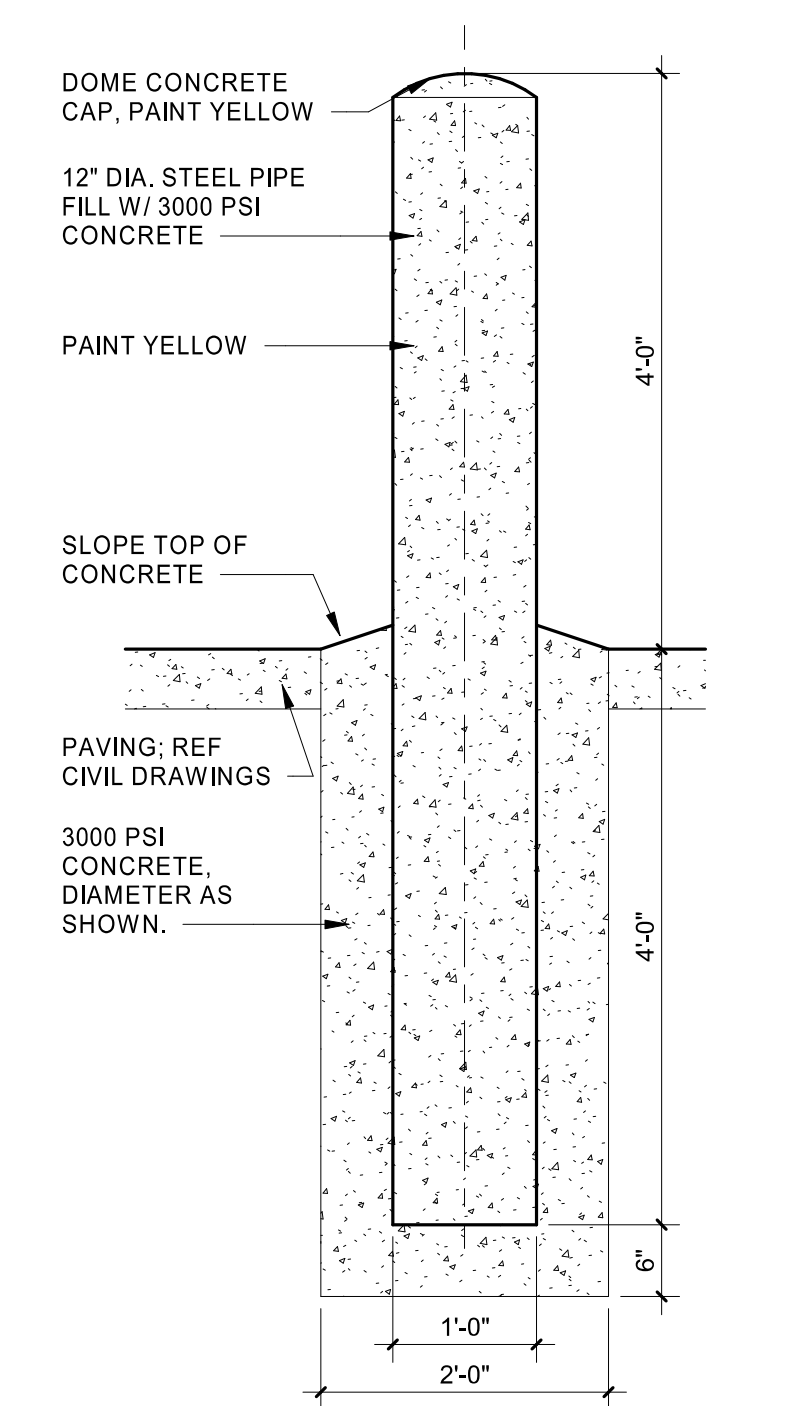
SITE DETAILS
 SHEET:
SP003



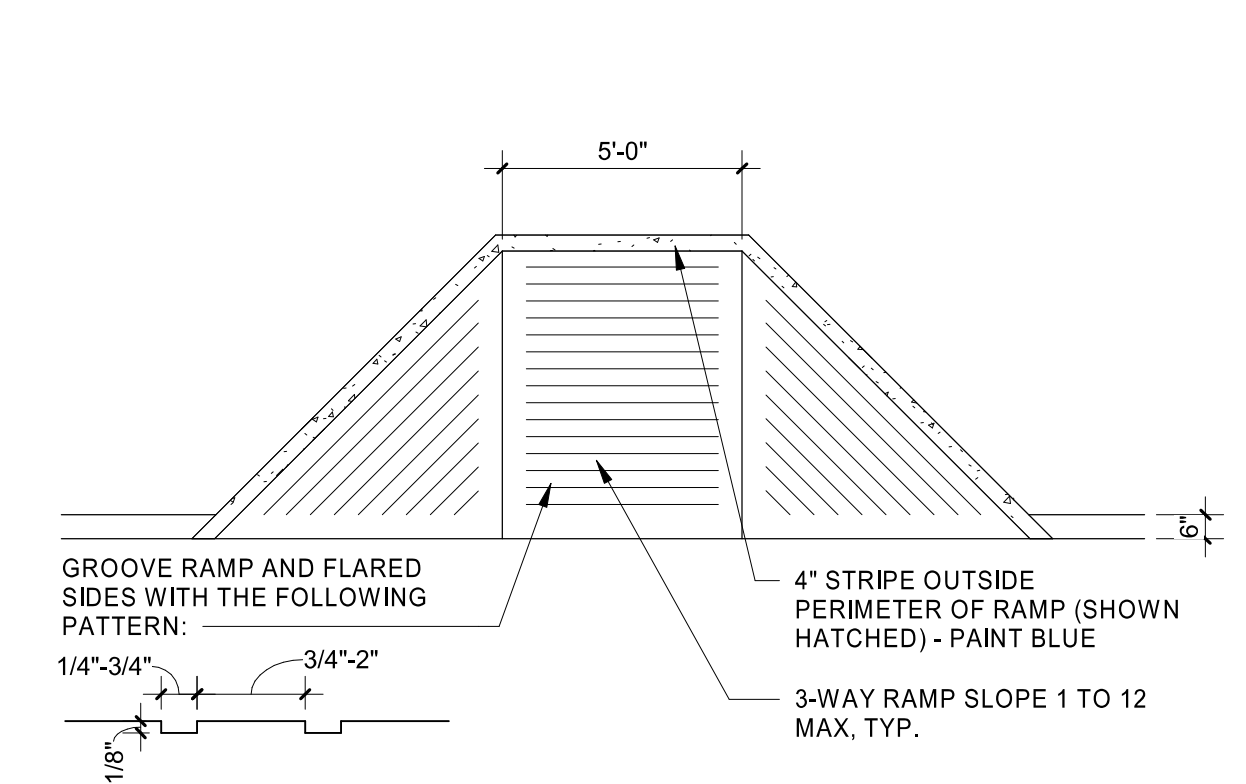
10 BOLLARD WITH
 PLANTER SLEEVE
 3/4" = 1'-0"



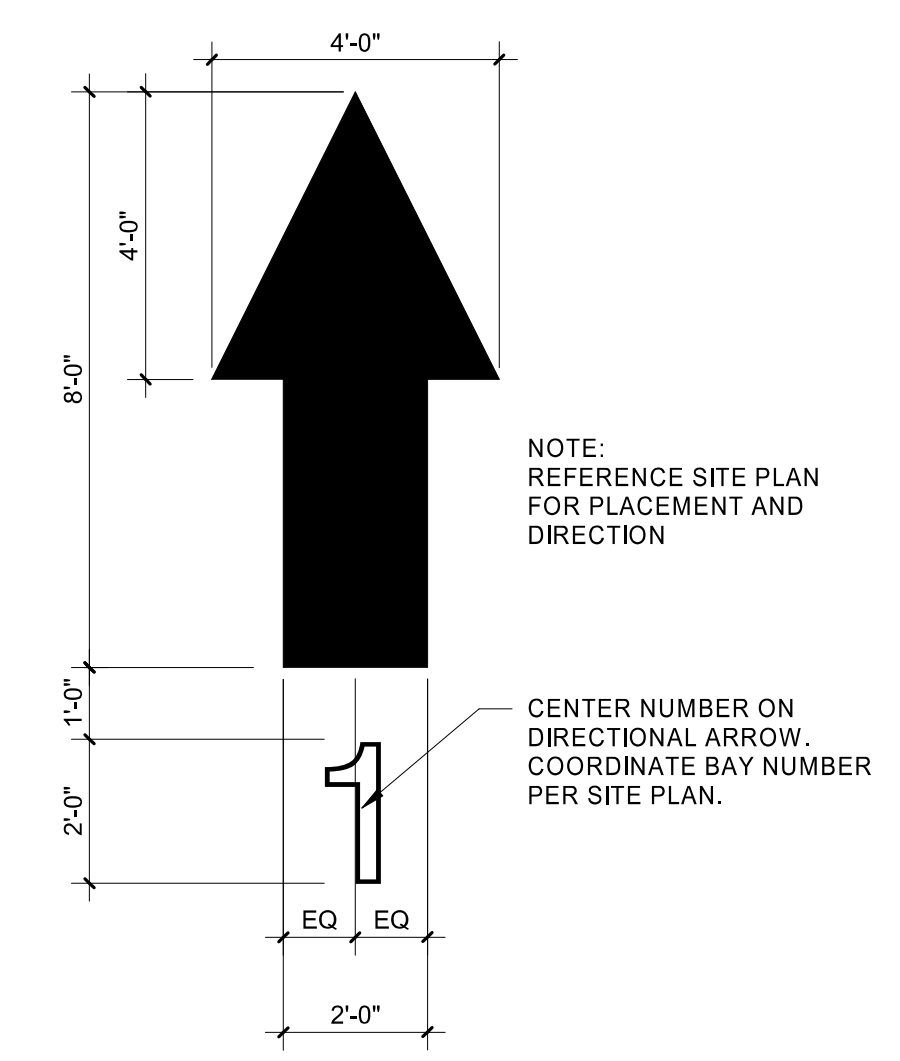
9 6IN PIPE BOLLARD
 DETAIL
 3/4" = 1'-0"



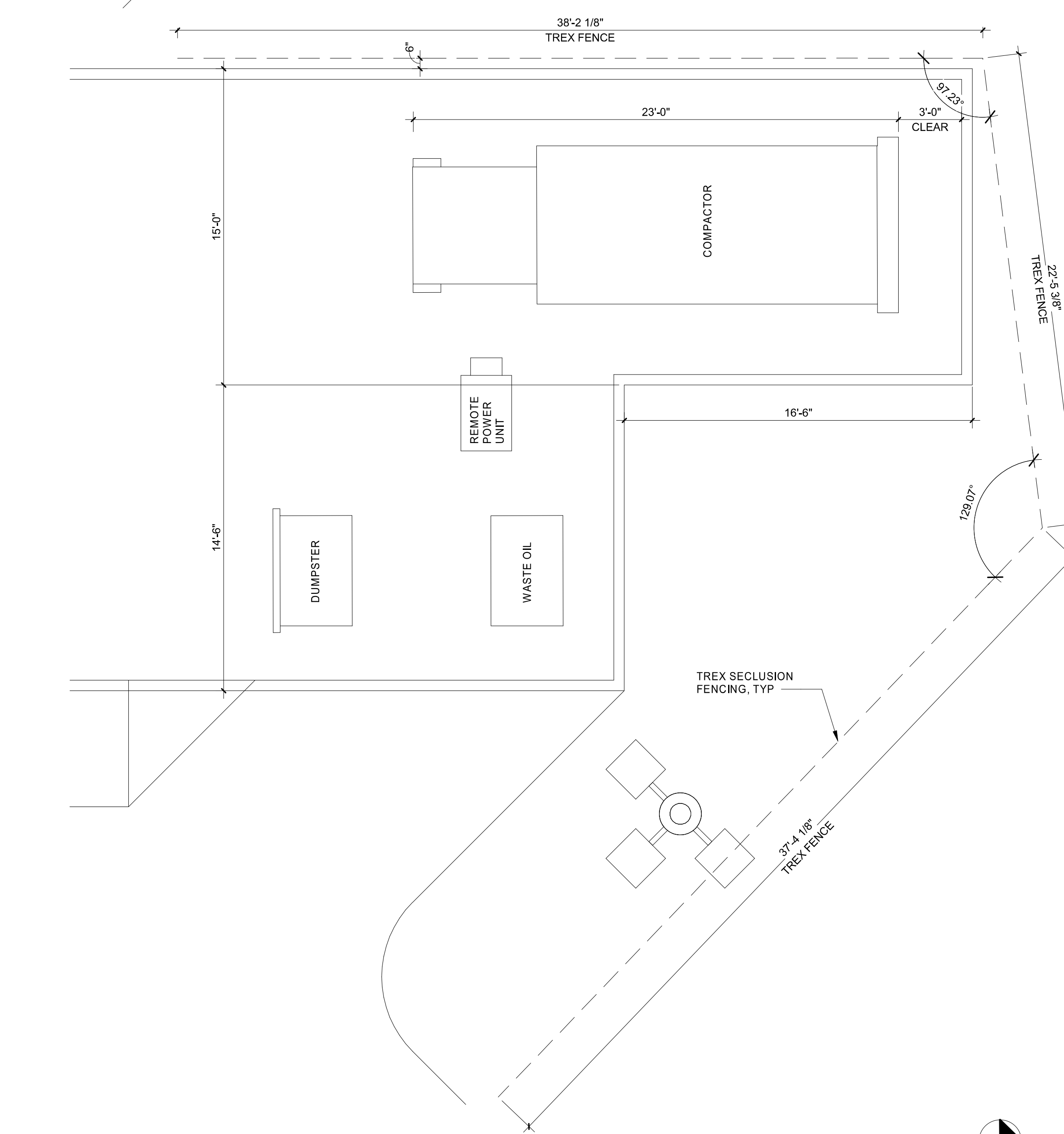
8 12IN PIPE BOLLARD
 DETAIL
 3/4" = 1'-0"



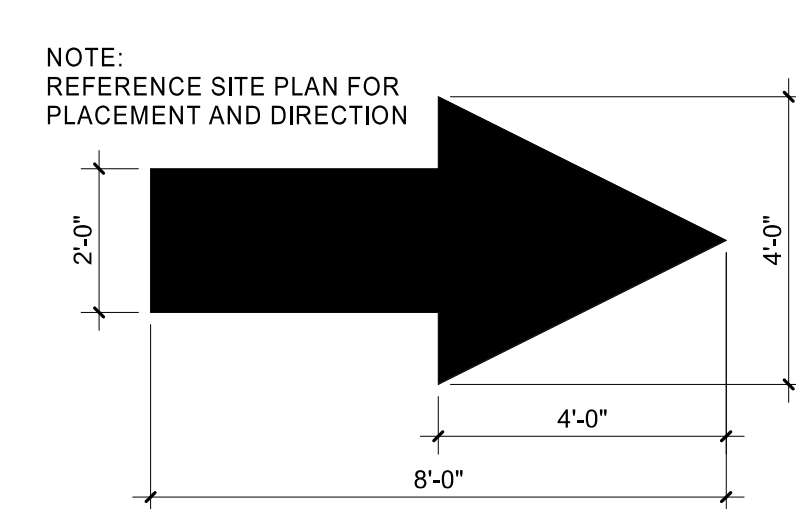
7 ACCESSIBLE RAMP
 1/4" = 1'-0"



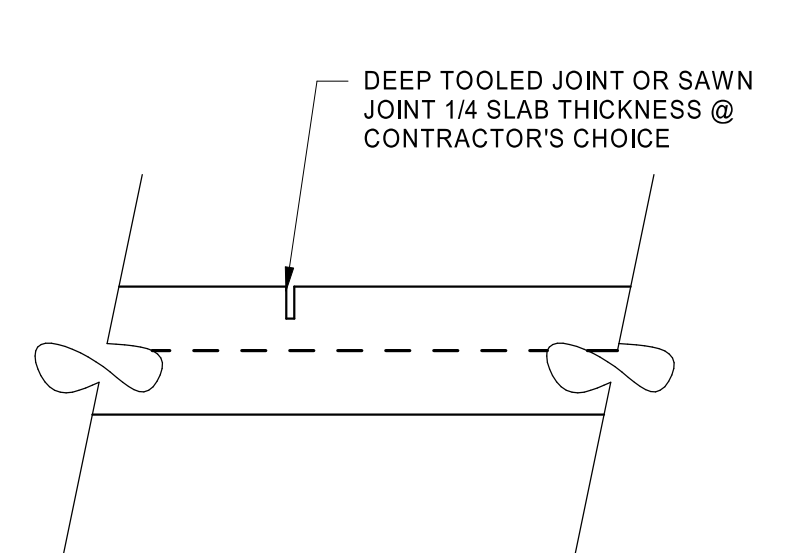
6 PAINTED BAY ARROW
 3/8" = 1'-0"



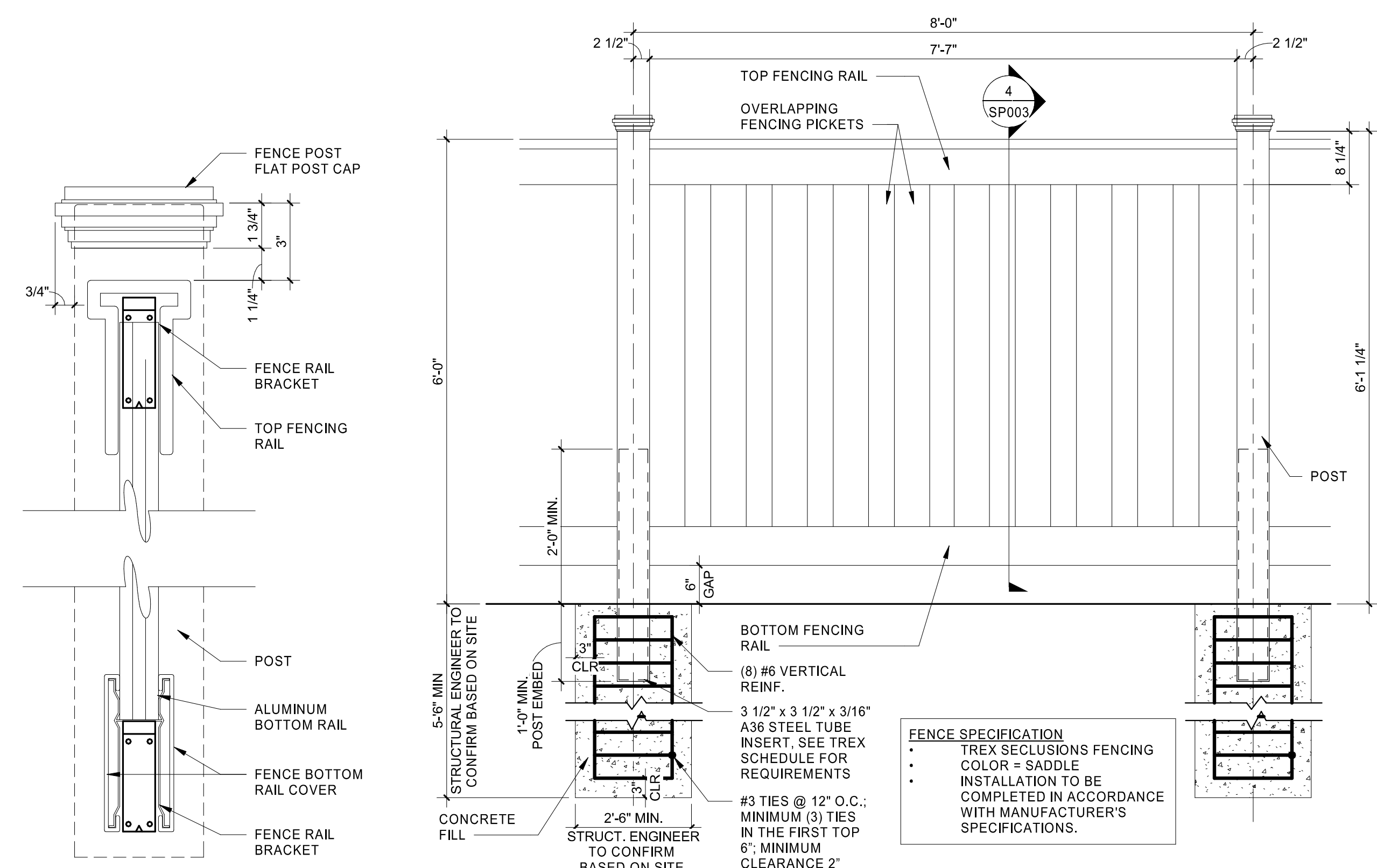
1 COMPACTOR ENCLOSURE PLAN
 1/4" = 1'-0"



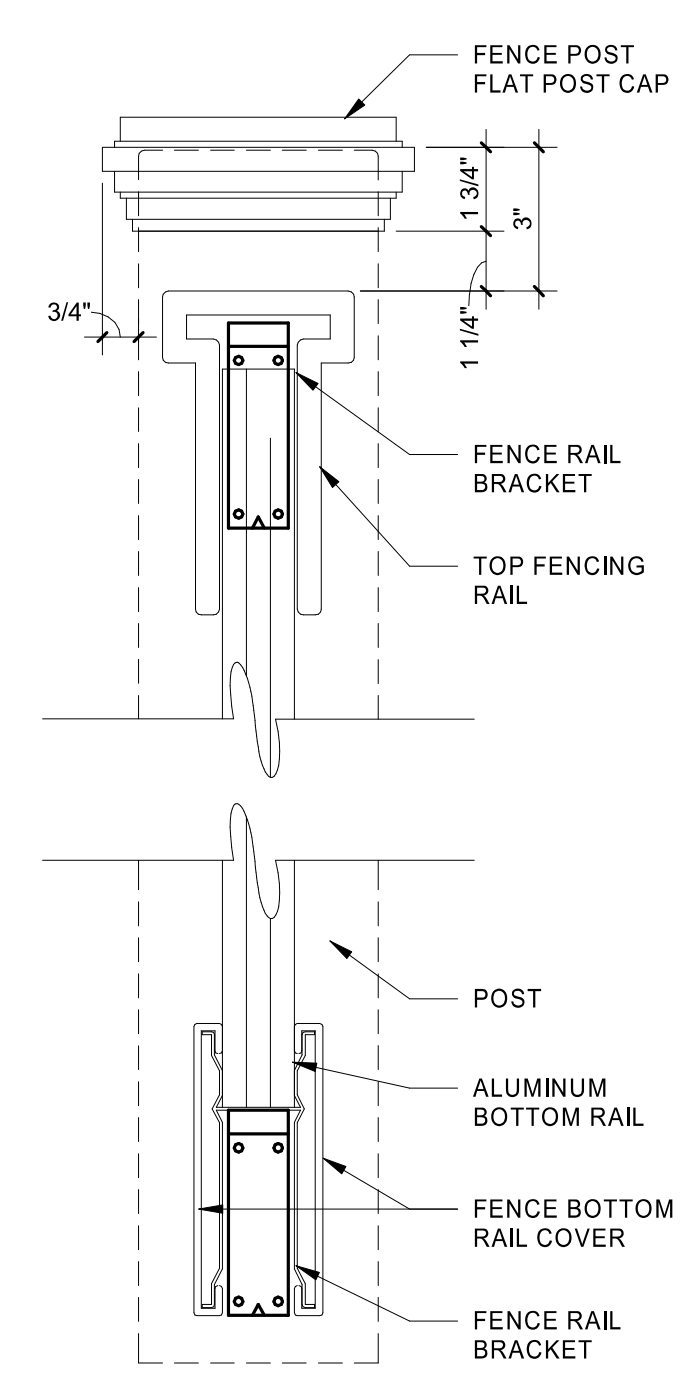
5 PAINTED TRAFFIC
 ARROW
 3/8" = 1'-0"



2 CONTROL JOINT
 1" = 1'-0"



3 FENCE ELEVATION
 3/4" = 1'-0"



4 FENCE SECTION
 3" = 1'-0"

03/06/2023 9:55:57 AM
 C:\Users\mfrancis\OneDrive\Documents\2023\Bent\Projects\Loves_Nicholson_MS_ARCH_T1-180_01_HFA_Markings\Project.rvt
 3/16/2023 9:55:57 AM