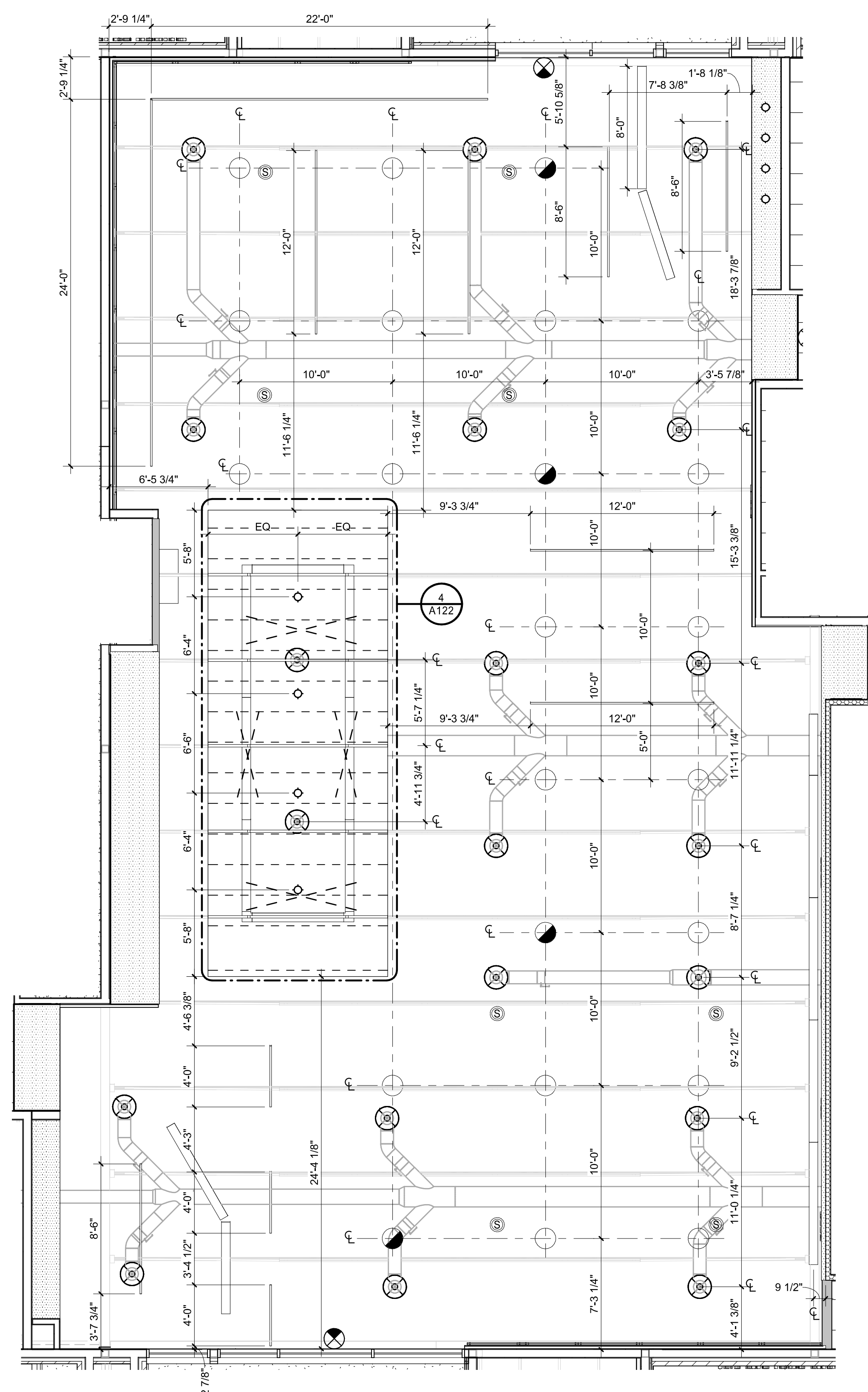
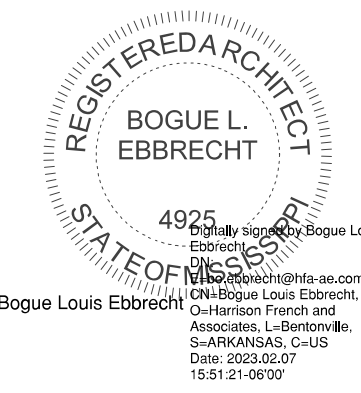


STIPULATION FOR REUSE
 THE DRAWINGS ARE PREPARED FOR
 USE ON A SPECIFIC SITE AT
 CONTINGENT UPON THE ISSUANCE
 OF A PERMIT BY THE LOCAL
 AUTHORITY. THE DRAWINGS ARE NOT
 TO BE REUSED FOR ANY OTHER
 PROJECT, SITE OR AT A LATER TIME
 WITHOUT THE WRITTEN CONSENT OF
 HARRISON FRENCH & ASSOCIATES,
 LICENSED ARCHITECTS AND ENGINEERS.
 REUSE OF ANY OTHER PROJECT IS NOT
 PERMITTED AND MAY BE CONTRARY TO
 THE LAW.

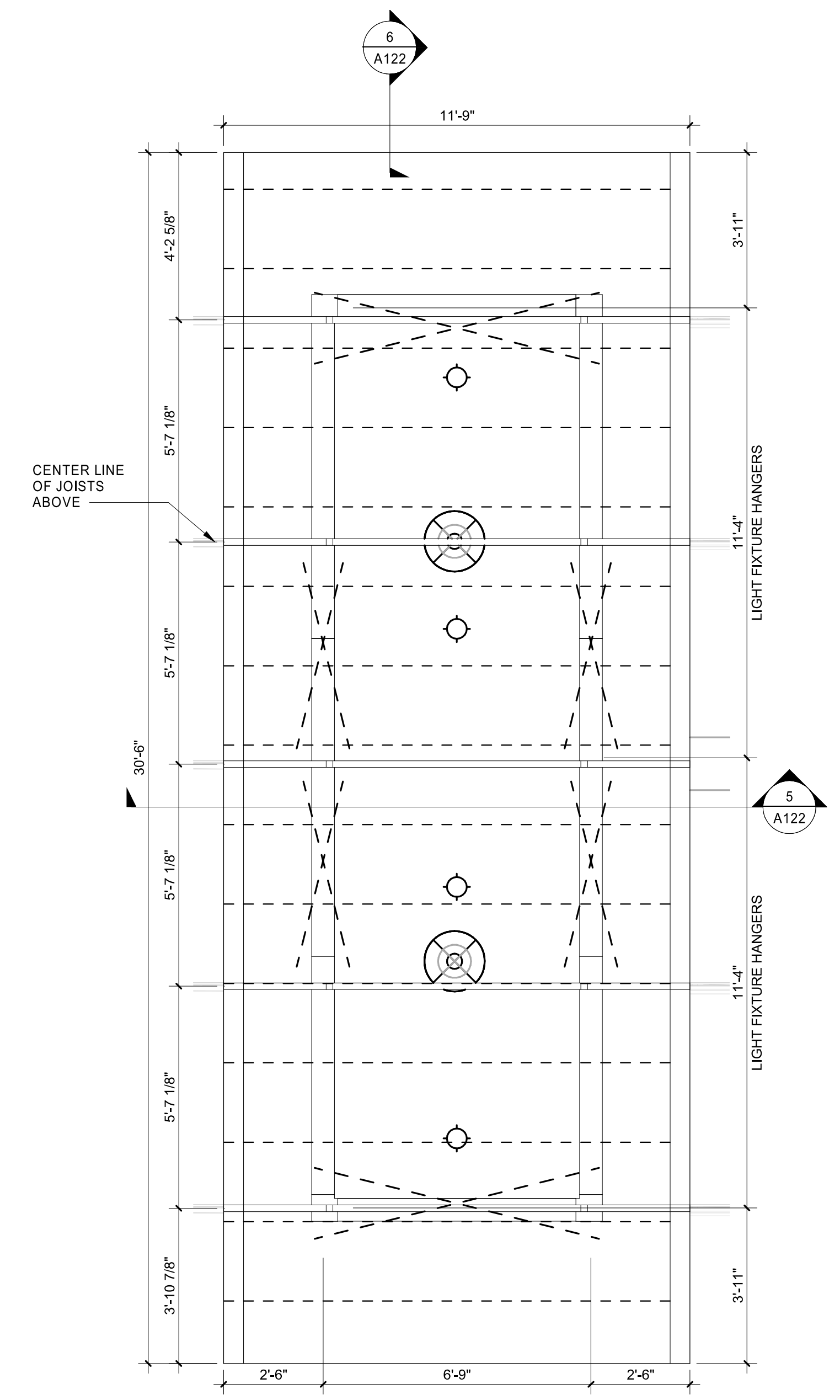
Loves
 STORE NUMBER: 860
 I-59, EXIT 1
 NICHOLSON, MS 39466
 JOB NUMBER: 03-23-30009

ISSUE BLOCK

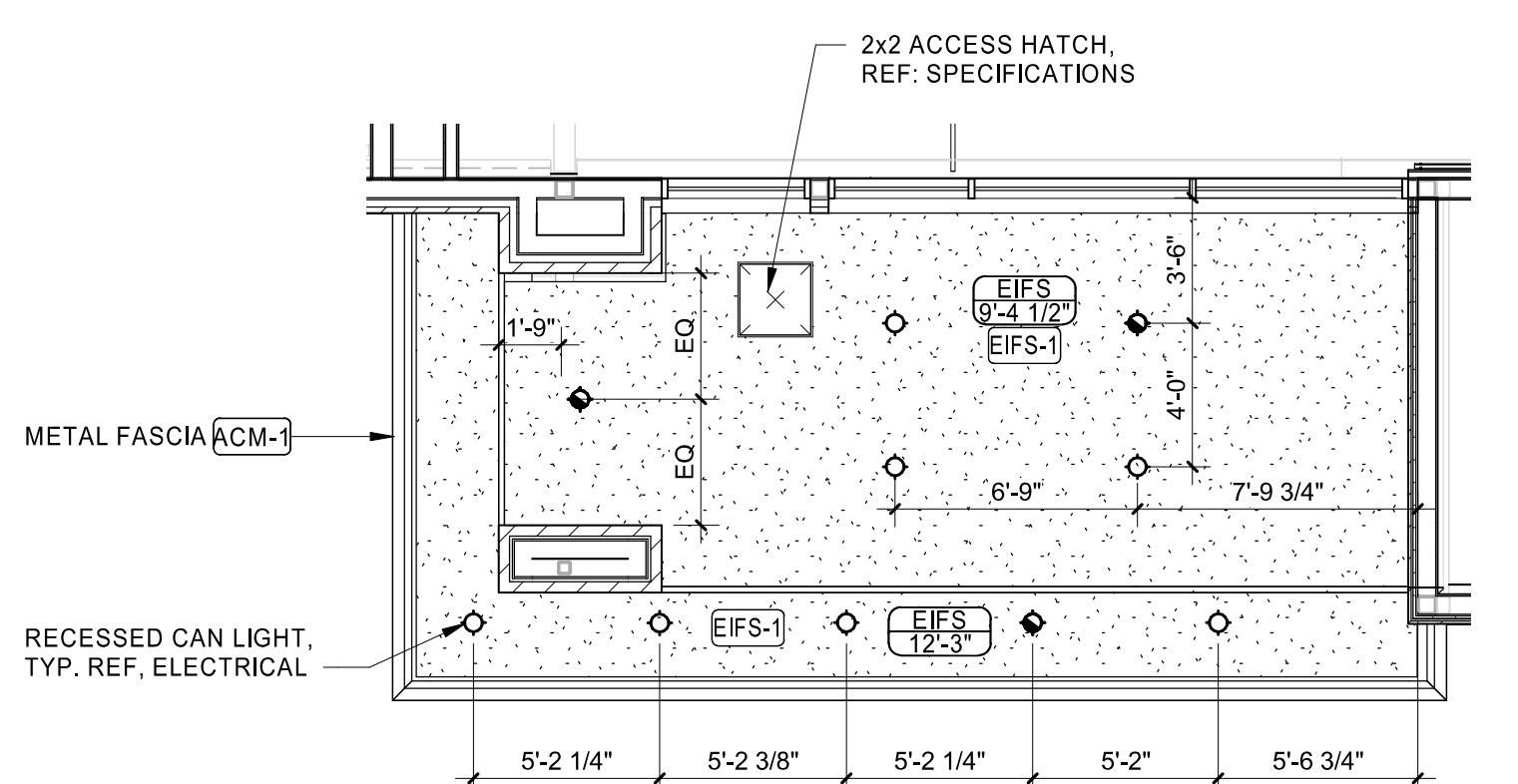
CHECKED BY: MAP
 DRAWN BY: ASE
 DOCUMENT DATE: 02/06/23
 PROTO: T1-180
 PROTO CYCLE: Q4 - 2022



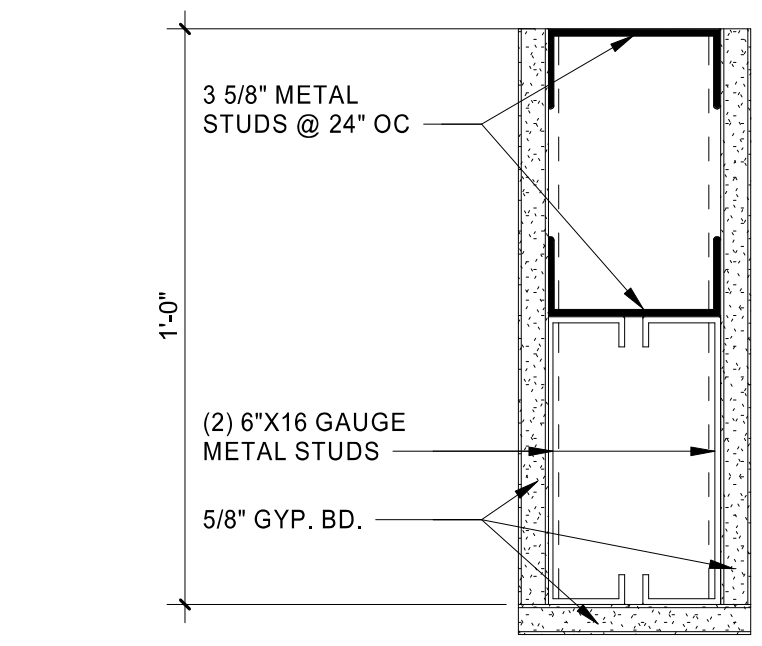
1 ENLARGED REFLECTED CEILING PLAN
 3/16" = 1'-0"



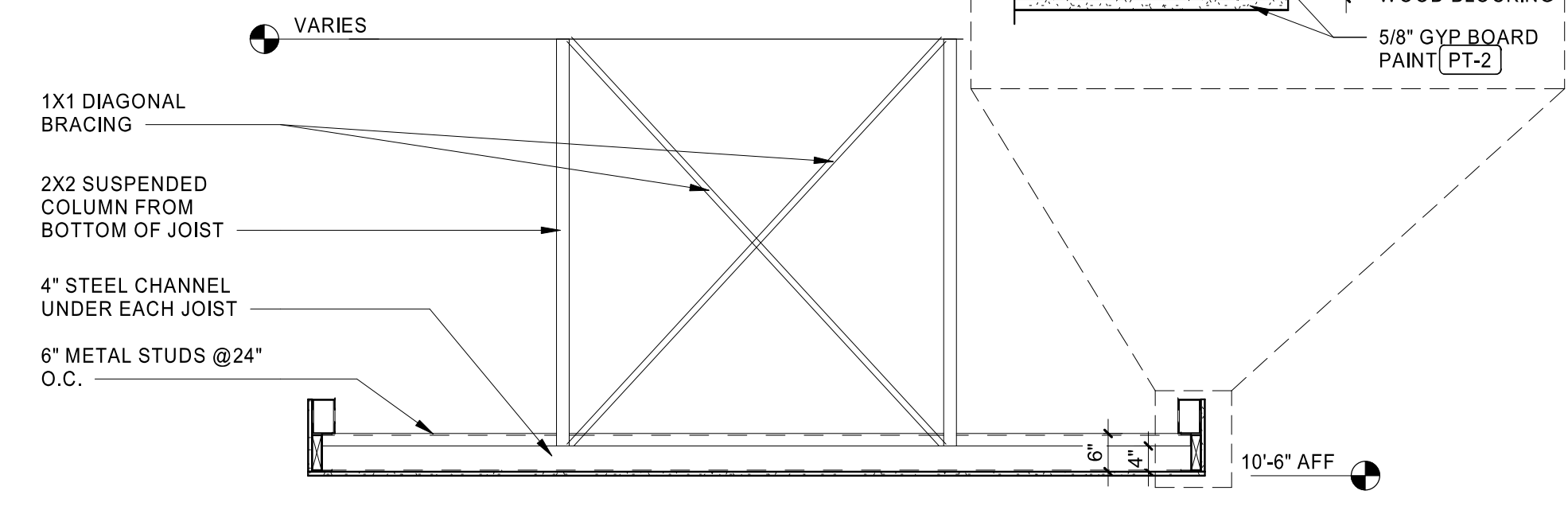
4 FLOATING CEILING PLAN
 3/8" = 1'-0"



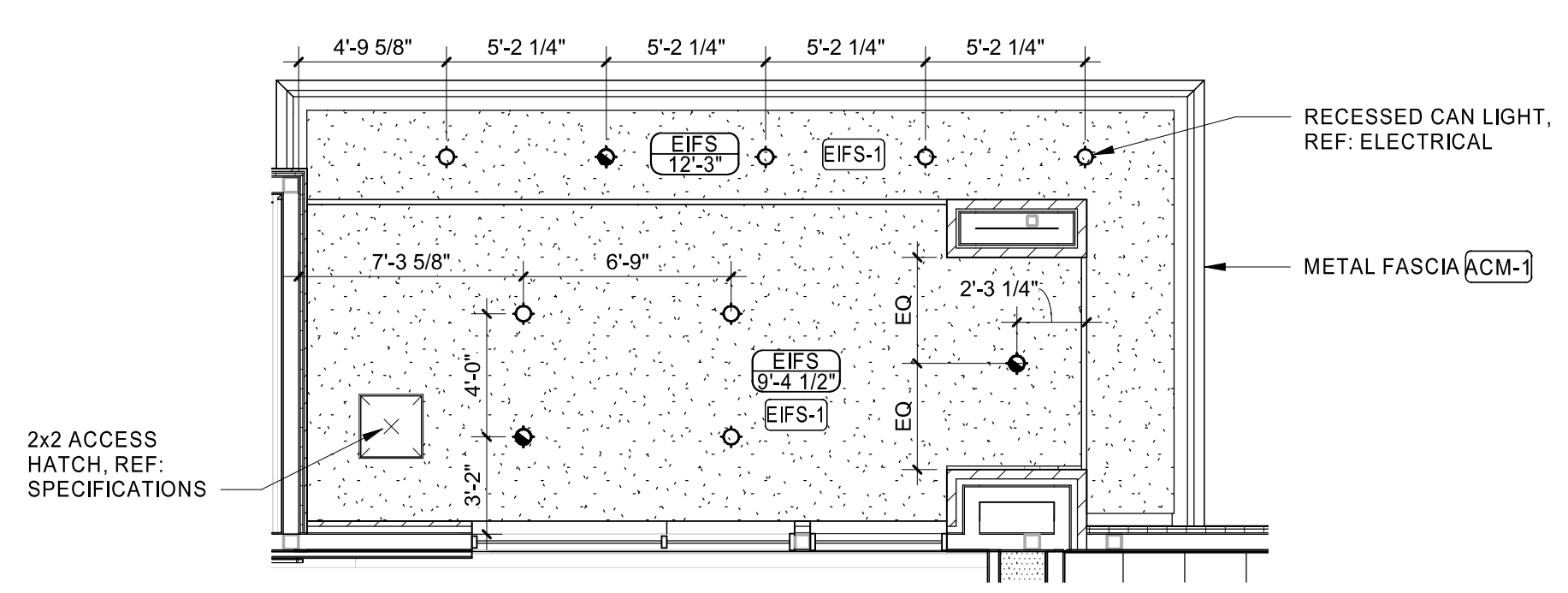
2 FRONT ENTRY REFLECTED CEILING PLAN
 3/16" = 1'-0"



6 ENLARGED FLOATING CEILING DETAIL
 3" = 1'-0"



5 FLOATING CEILING SECTION
 1/2" = 1'-0"



3 REAR ENTRY REFLECTED CEILING PLAN
 3/16" = 1'-0"

03/09/2023 9:56:53 AM
 C:\Users\mfrancis\project\02027 Rear Project\Drawings\Nicholson_MS_ARCH_T1-180_01_HFA_Multipass\Drawing.rvt
 3/9/23 4:22 ENLARGED REFLECTED CEILING PLANS