

STIPULATION FOR REUSE  
THIS DRAWING IS THE PROPERTY OF HARRISON FRENCH & ASSOCIATES, PLLC. IT IS TO BE USED ONLY FOR THE PROJECT AND SITE SPECIFICALLY IDENTIFIED HEREIN. IT IS NOT TO BE REPRODUCED, COPIED, REUSED, OR TRANSMITTED IN ANY FORM OR BY ANY MEANS, ELECTRONIC OR MECHANICAL, INCLUDING PHOTOCOPYING, RECORDING, OR BY ANY INFORMATION STORAGE AND RETRIEVAL SYSTEM, WITHOUT THE WRITTEN PERMISSION OF HARRISON FRENCH & ASSOCIATES, PLLC. ANY REUSE OF THIS DRAWING FOR ANY OTHER PROJECT WITHOUT THE WRITTEN PERMISSION OF HARRISON FRENCH & ASSOCIATES, PLLC IS STRICTLY PROHIBITED. THE USER OF THIS DRAWING SHALL BE RESPONSIBLE FOR OBTAINING ALL NECESSARY PERMITS AND APPROVALS FROM THE APPLICABLE JURISDICTIONS. HARRISON FRENCH & ASSOCIATES, PLLC DOES NOT WARRANT THE ACCURACY OR COMPLETENESS OF THIS DRAWING. THE USER OF THIS DRAWING SHALL BE RESPONSIBLE FOR VERIFYING ALL DIMENSIONS AND CONDITIONS ON THE JOB. HARRISON FRENCH & ASSOCIATES, PLLC SHALL NOT BE LIABLE FOR ANY DAMAGES, INCLUDING CONSEQUENTIAL DAMAGES, ARISING FROM THE USE OF THIS DRAWING.

**Loves**  
STORE NUMBER: 860  
I-59, EXIT 1  
NICHOLSON, MS 39466  
JOB NUMBER: 03-23-30009

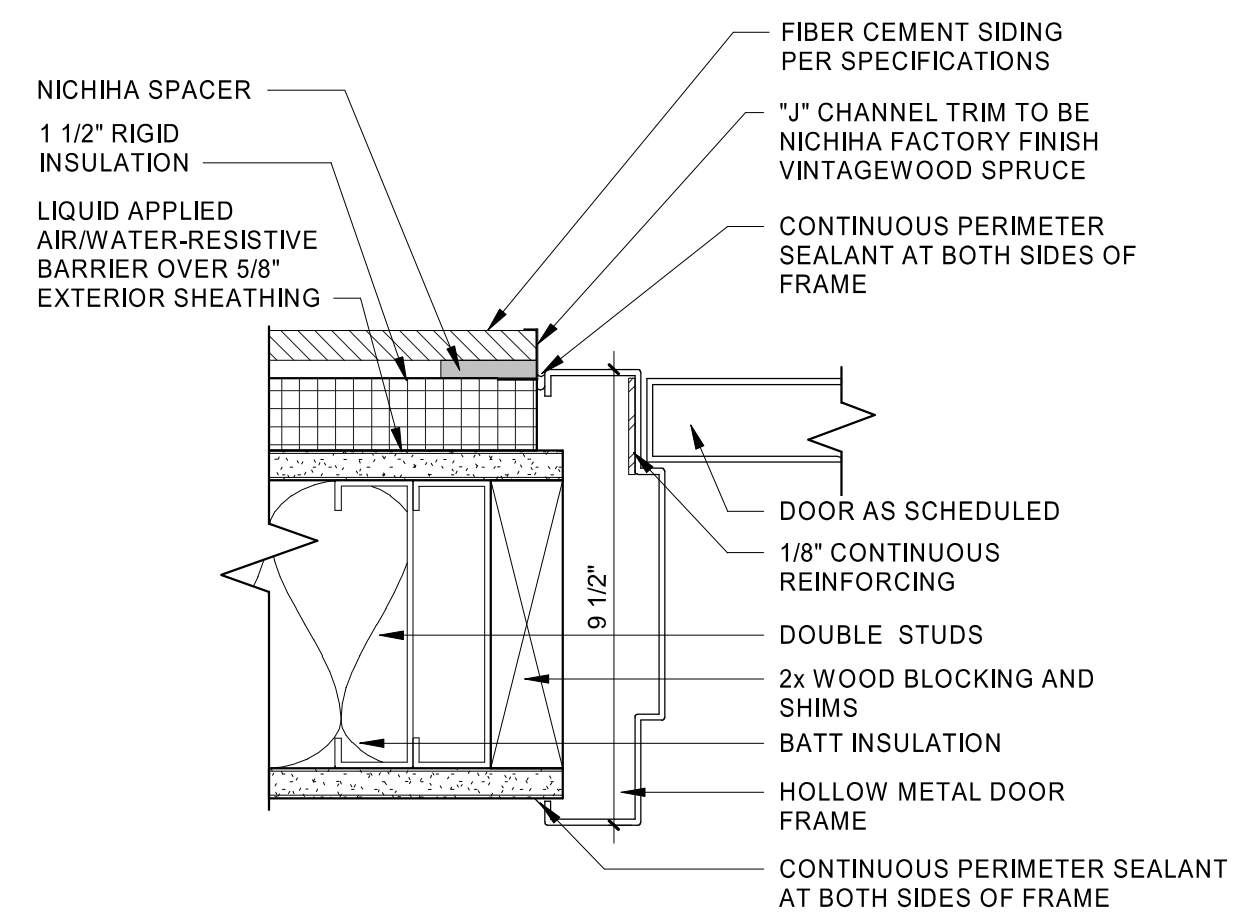
ISSUE BLOCK


CHECKED BY: MAP  
DRAWN BY: ASE  
DOCUMENT DATE: 02/06/23  
PROTO: T1-180  
PROTO CYCLE: Q4 - 2022

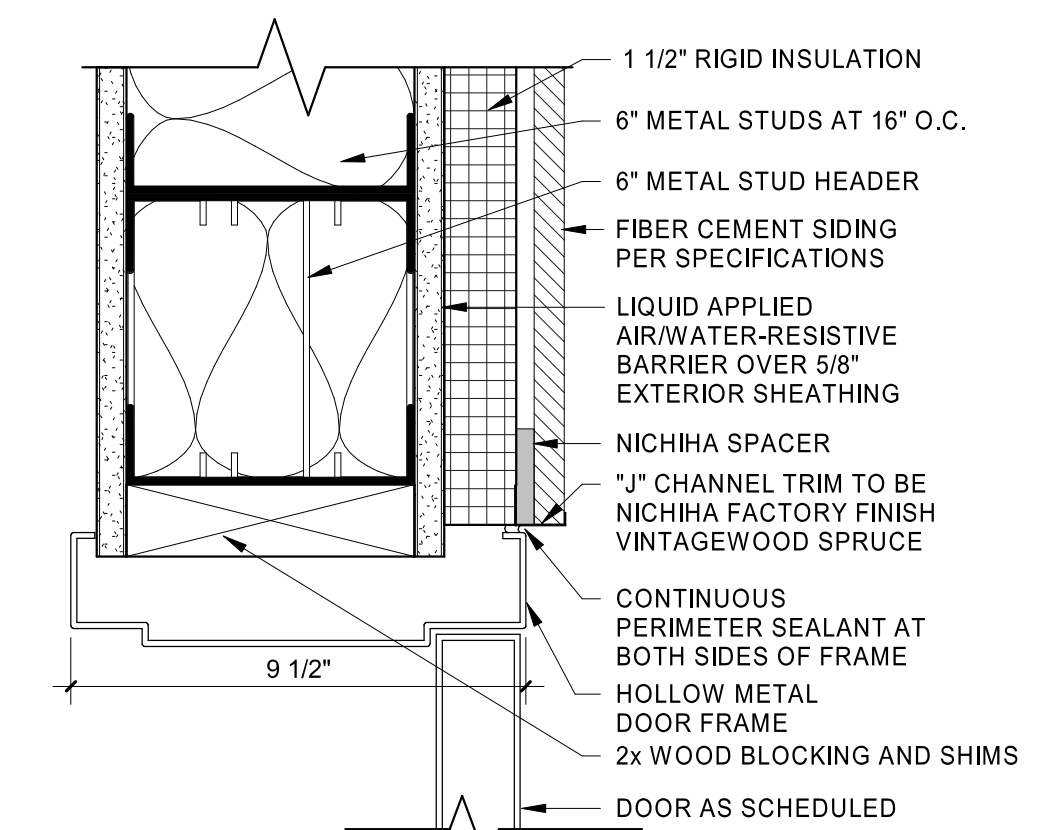
REGISTERED ARCHITECT  
BOGUE L. EBBRECHT  
4925  
Bogue Louis Ebbrecht  
STATE OF MISSISSIPPI  
Mississippi State Board of Architecture  
Bogue Louis Ebbrecht and Associates, L.L.C.  
Baton Rouge, LA 70802  
Date: 03/03/2017  
15:54:33-0000

HEAD, JAMB & THRESHOLD DETAILS

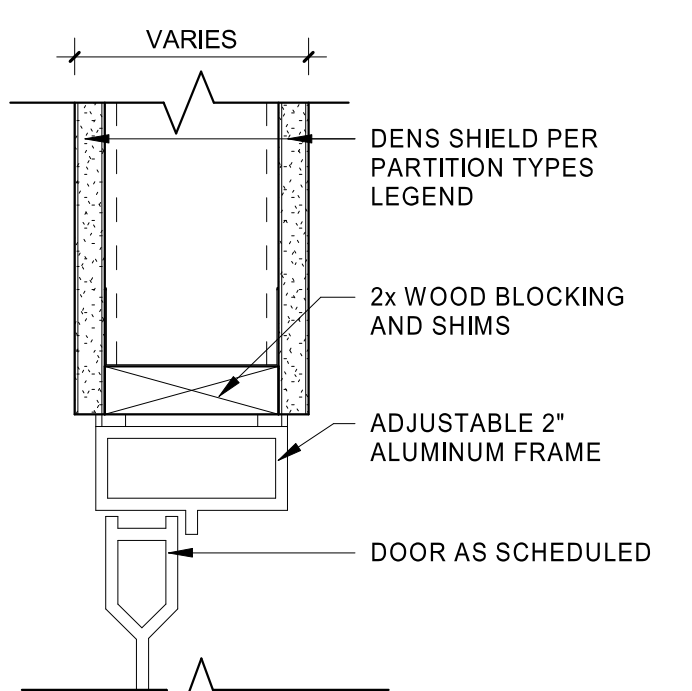
SHEET: **A602**



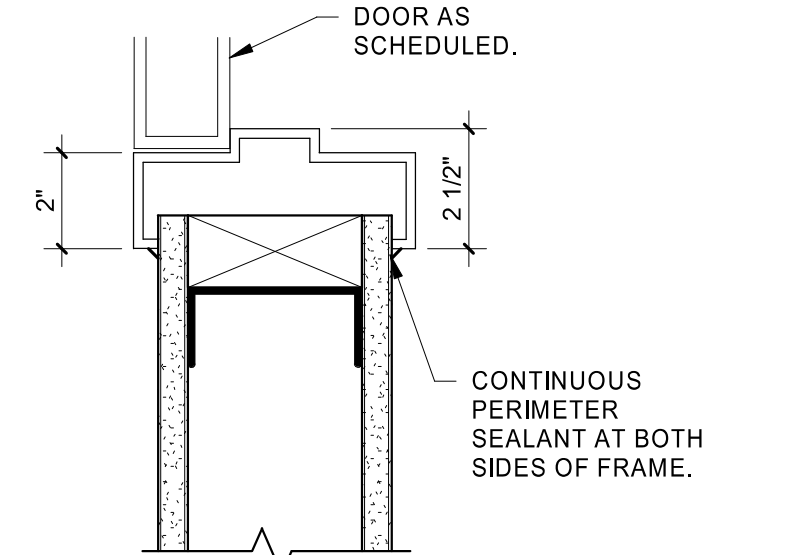
16 3" = 1'-0"  
**EXTERIOR NICHIIHA JAMB DETAIL**



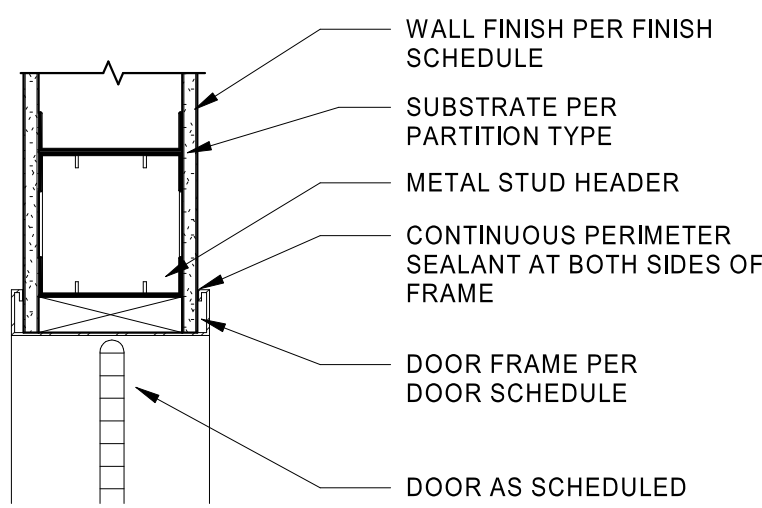
17 3" = 1'-0"  
**EXTERIOR NICHIIHA HEAD DETAIL**



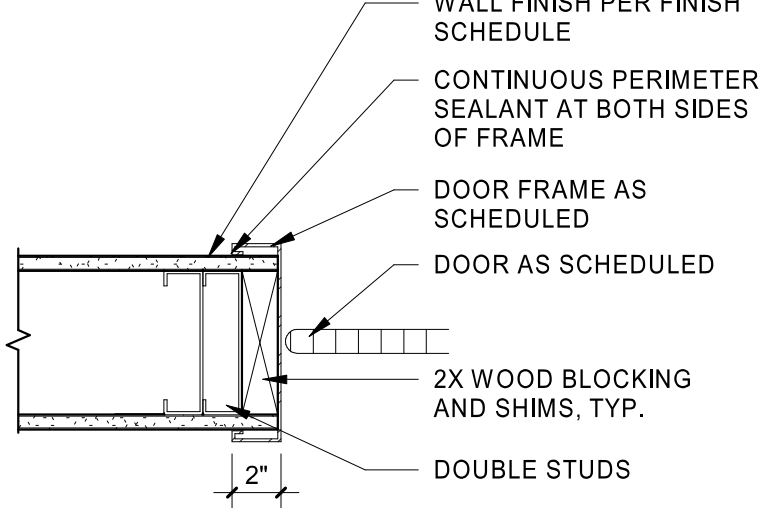
18 3" = 1'-0"  
**STOREFRONT HEAD/JAMB**



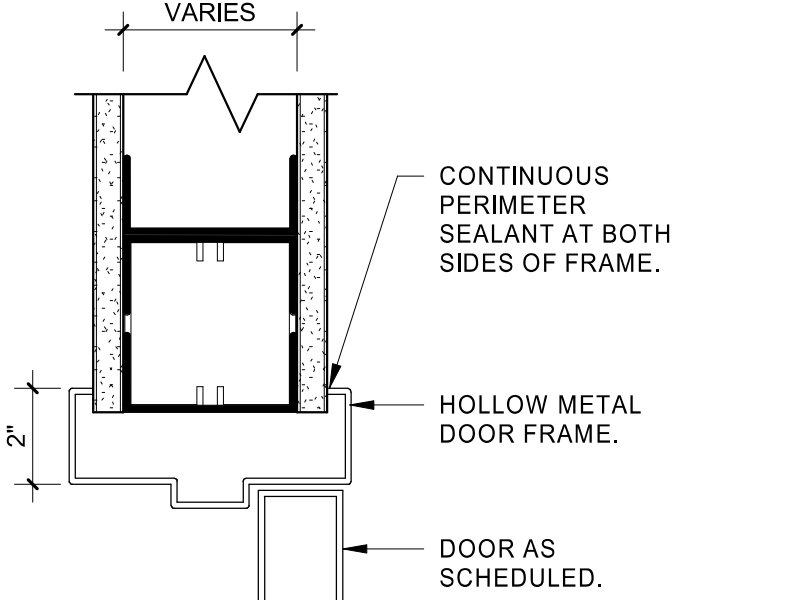
12 3" = 1'-0"  
**JAMB/HEAD AT LANDING DOOR**



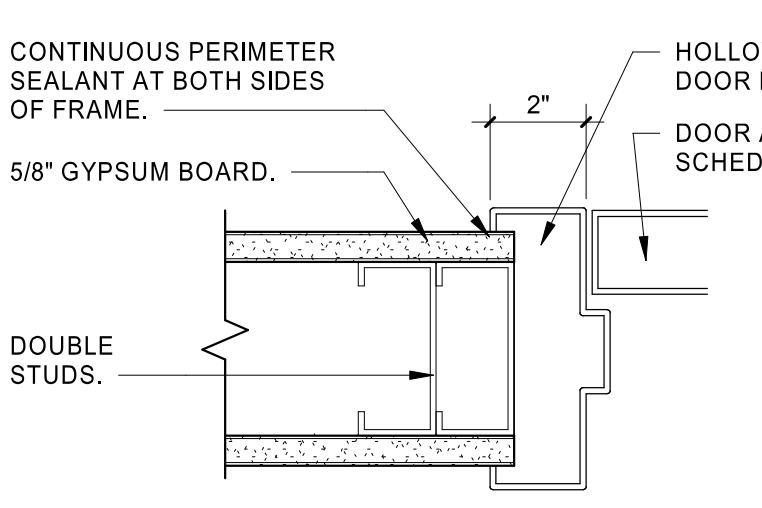
13 1 1/2" = 1'-0"  
**ELIASON DOOR - HEAD**



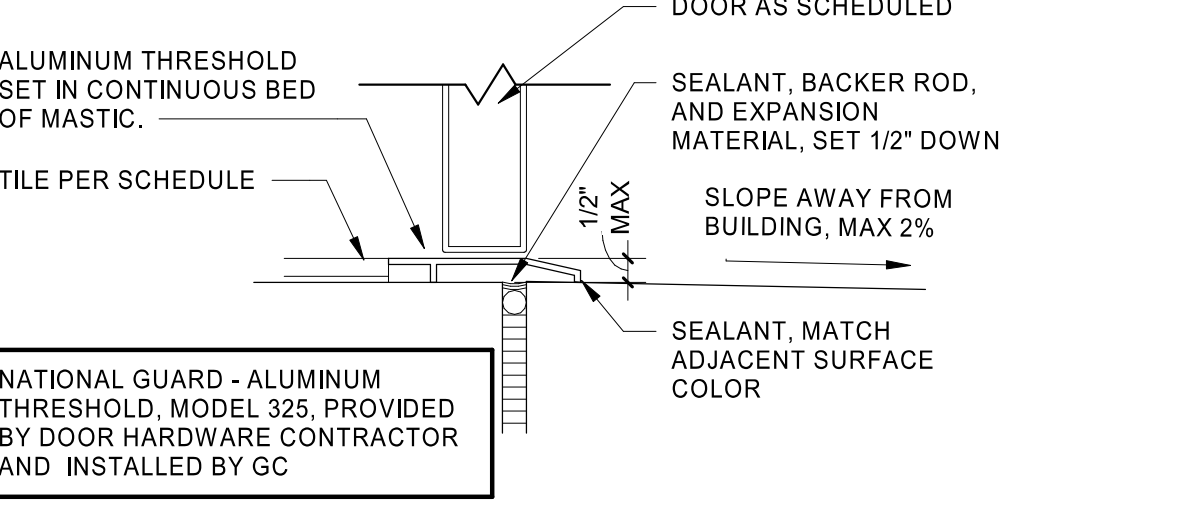
14 1 1/2" = 1'-0"  
**ELIASON DOOR - JAMB**



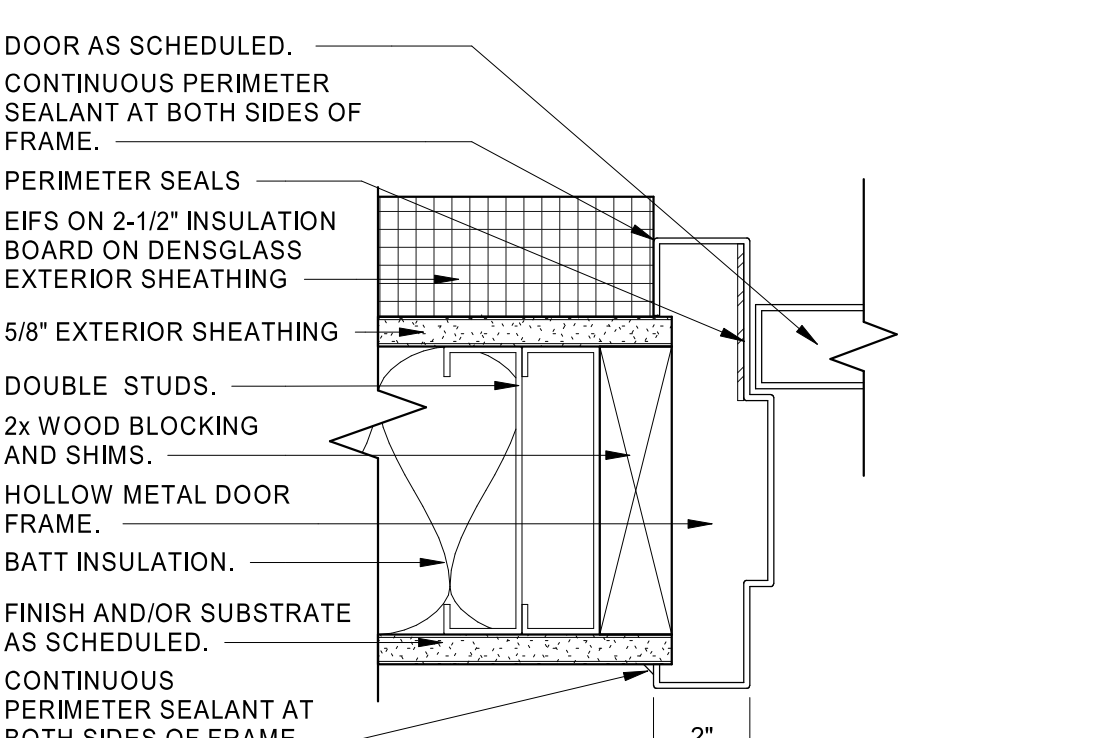
7 3" = 1'-0"  
**H.M. HEAD DETAIL**



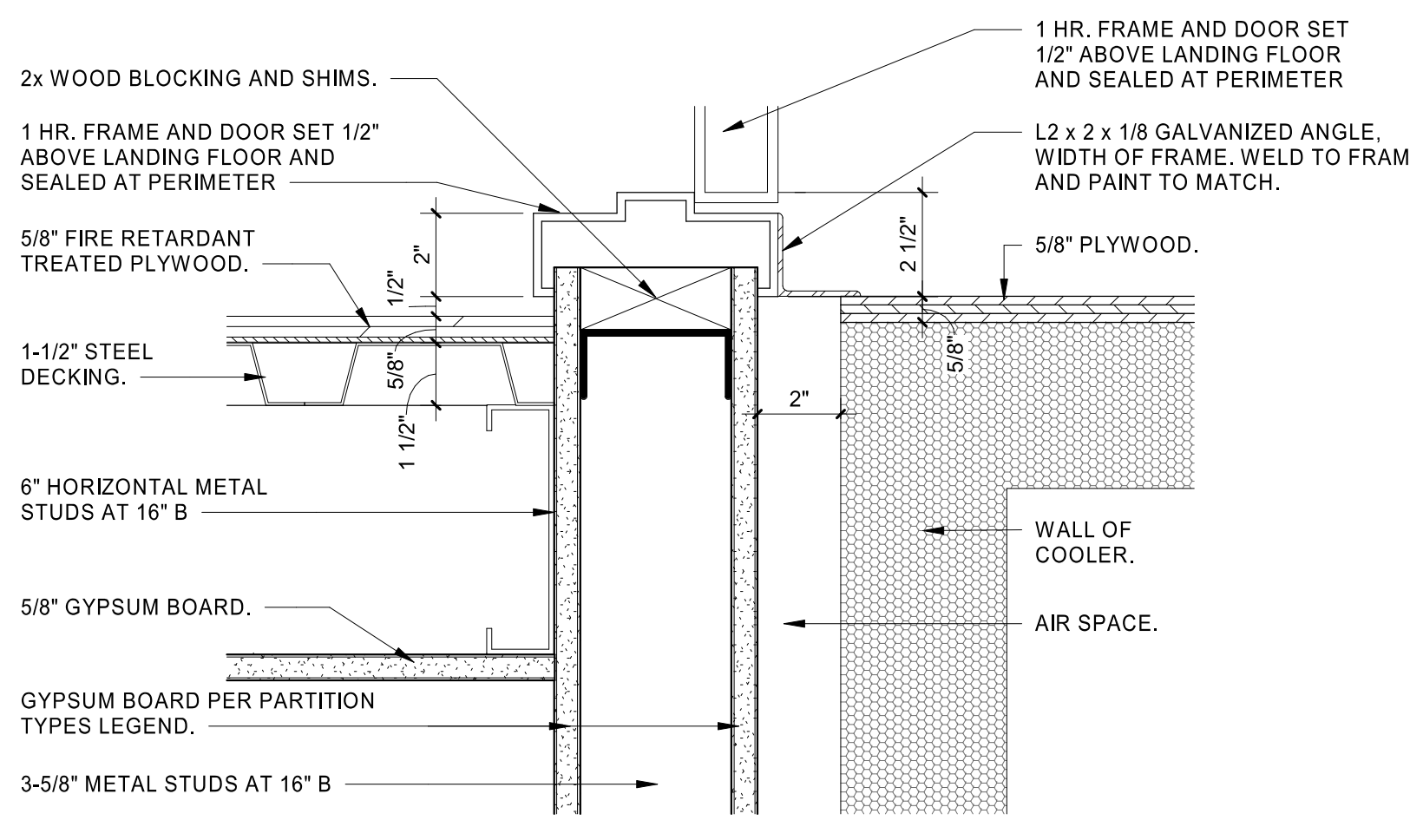
8 3" = 1'-0"  
**H.M. JAMB DETAIL**



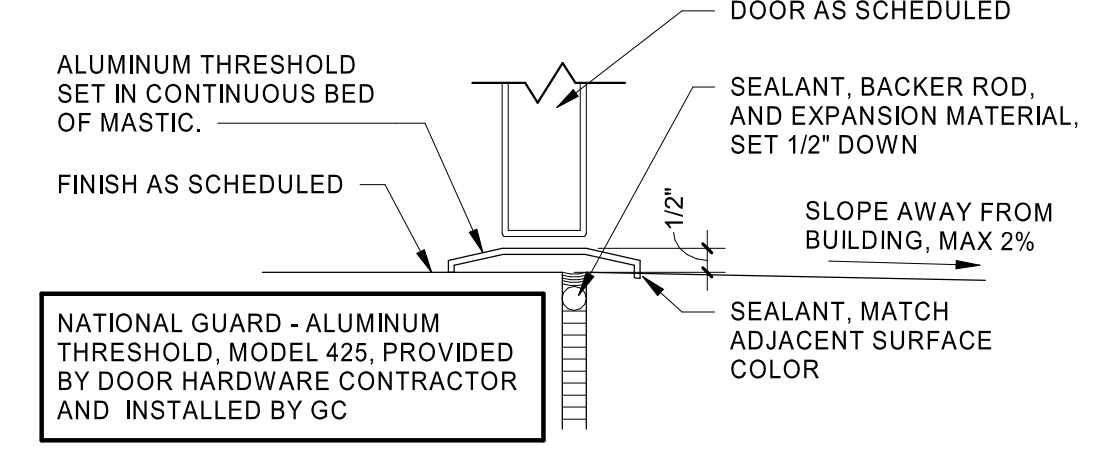
9 3" = 1'-0"  
**HALF SADDLE/OFFSET THRESHOLD AT TILE**



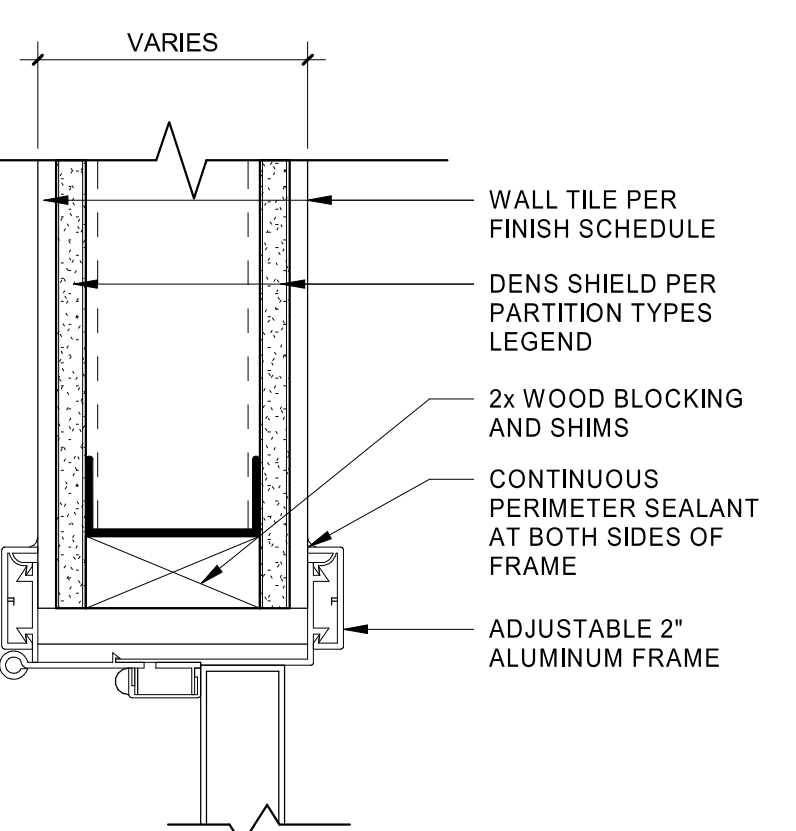
15 3" = 1'-0"  
**EXTERIOR EIFS JAMB DETAIL**



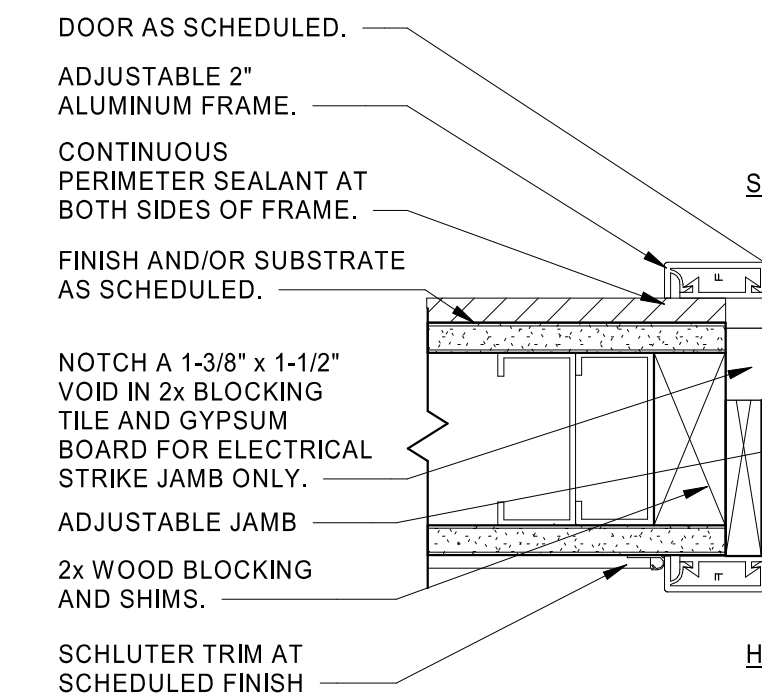
11 3" = 1'-0"  
**SILL AT LANDING DOOR**



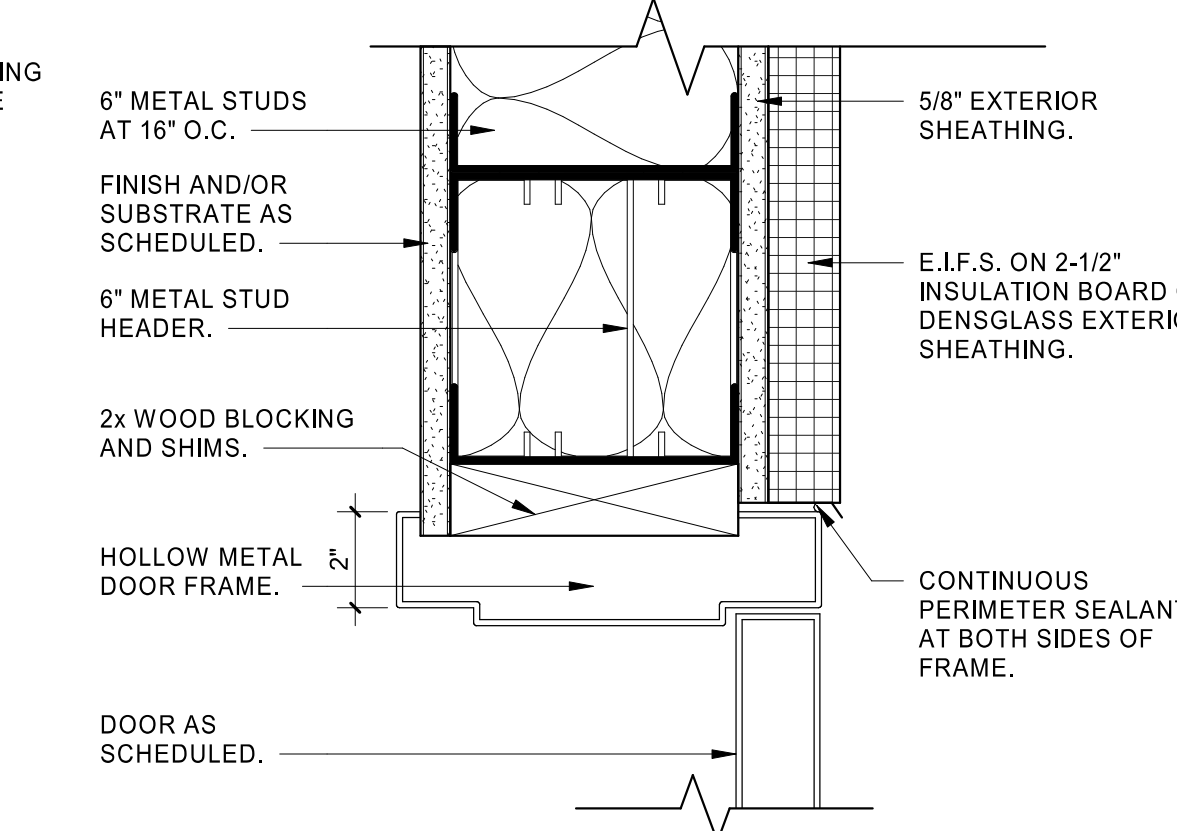
10 3" = 1'-0"  
**SADDLE THRESHOLD**



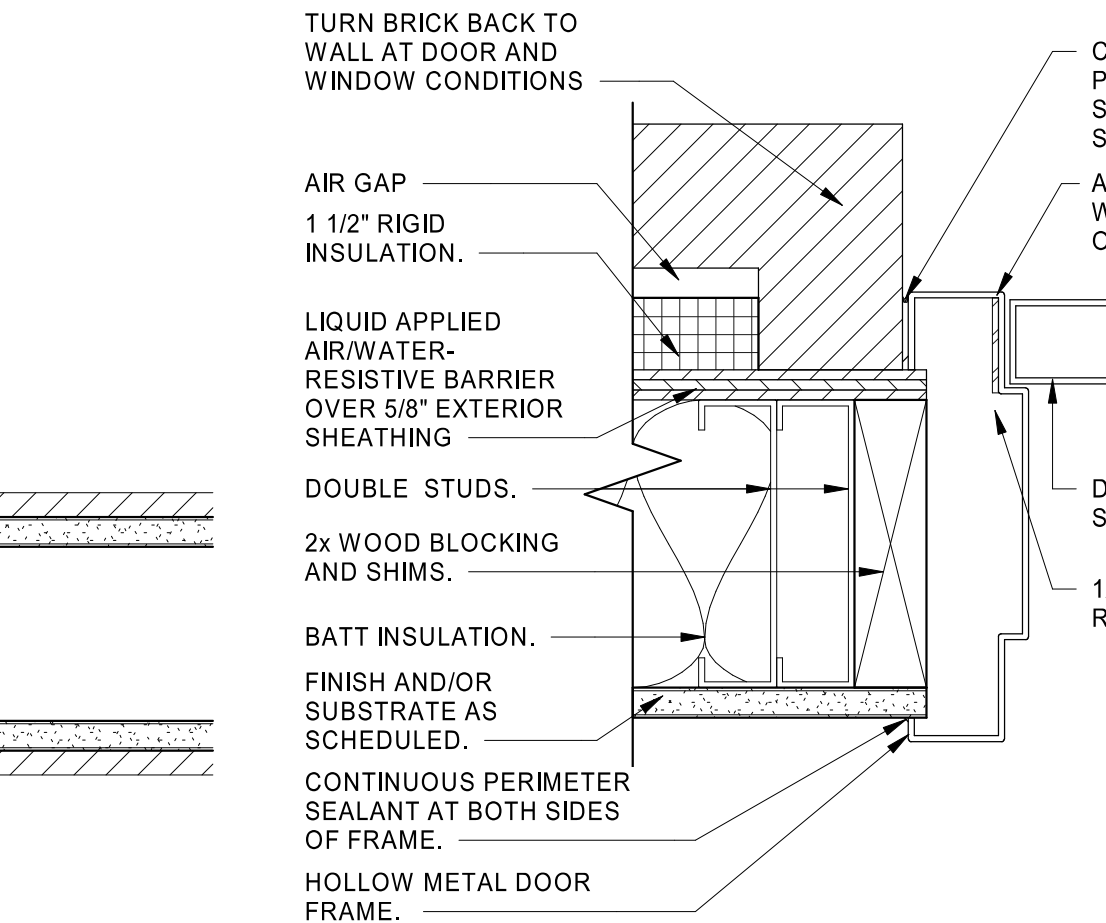
1 3" = 1'-0"  
**TYPICAL RESTROOM ALUMINUM FRAME HEAD/JAMB**



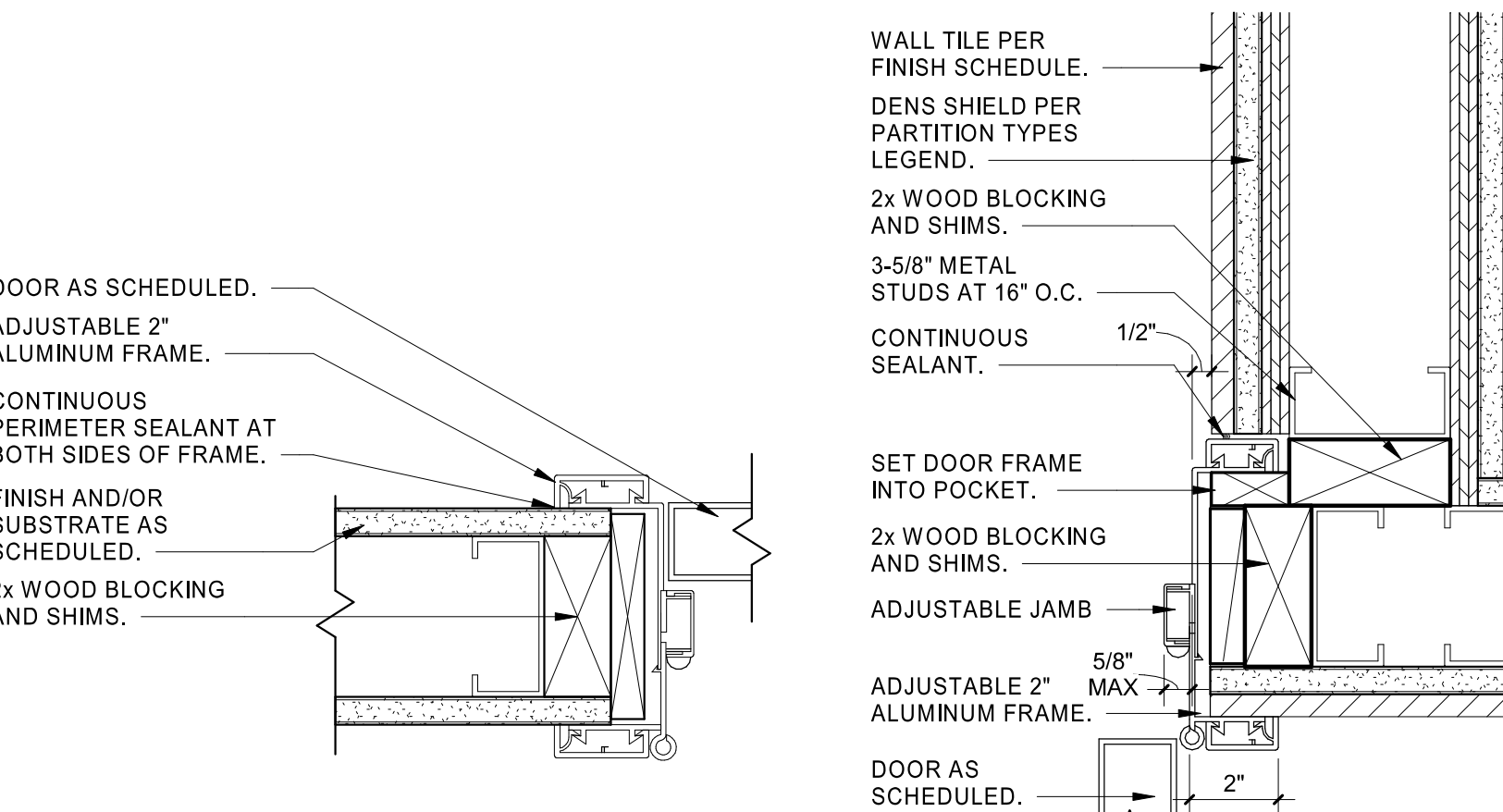
2 3" = 1'-0"  
**SHOWER DOOR HEAD/JAMB**



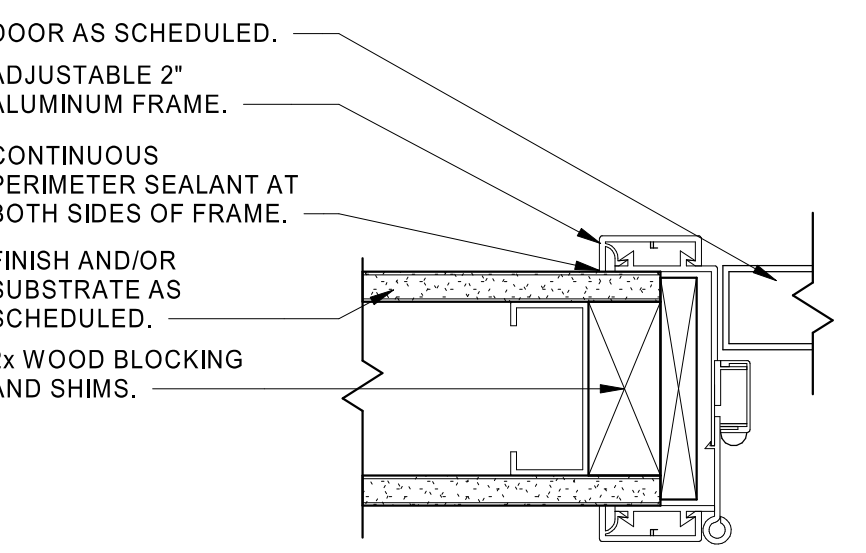
3 3" = 1'-0"  
**EXTERIOR EIFS HEAD DETAIL**



4 3" = 1'-0"  
**EXTERIOR BRICK JAMB DETAIL**



5 3" = 1'-0"  
**AMBULATORY STALL JAMB DETAIL**



6 3" = 1'-0"  
**TYPICAL ALUMINUM FRAME HEAD/JAMB**

02/06/23 9:51:17 AM  
 C:\Users\mfrancis\OneDrive\Documents\2023\Bldg\Projects\Lowell\_Nicholson\_MS\_ARCH\_T2\_180\_01\_HFA\_Markup\Project\NT  
 32464602-HEAD, JAMB & THRESHOLD DETAILS