

LEGEND

- 1 1/4" SOLAR GRAY (TEMPERED)
- 2 1/4" SOLAR GRAY ON 1/4" CLEAR WITH 1/2" BRONZE SPACER WITH "LOW-E" FILM (TEMPERED)

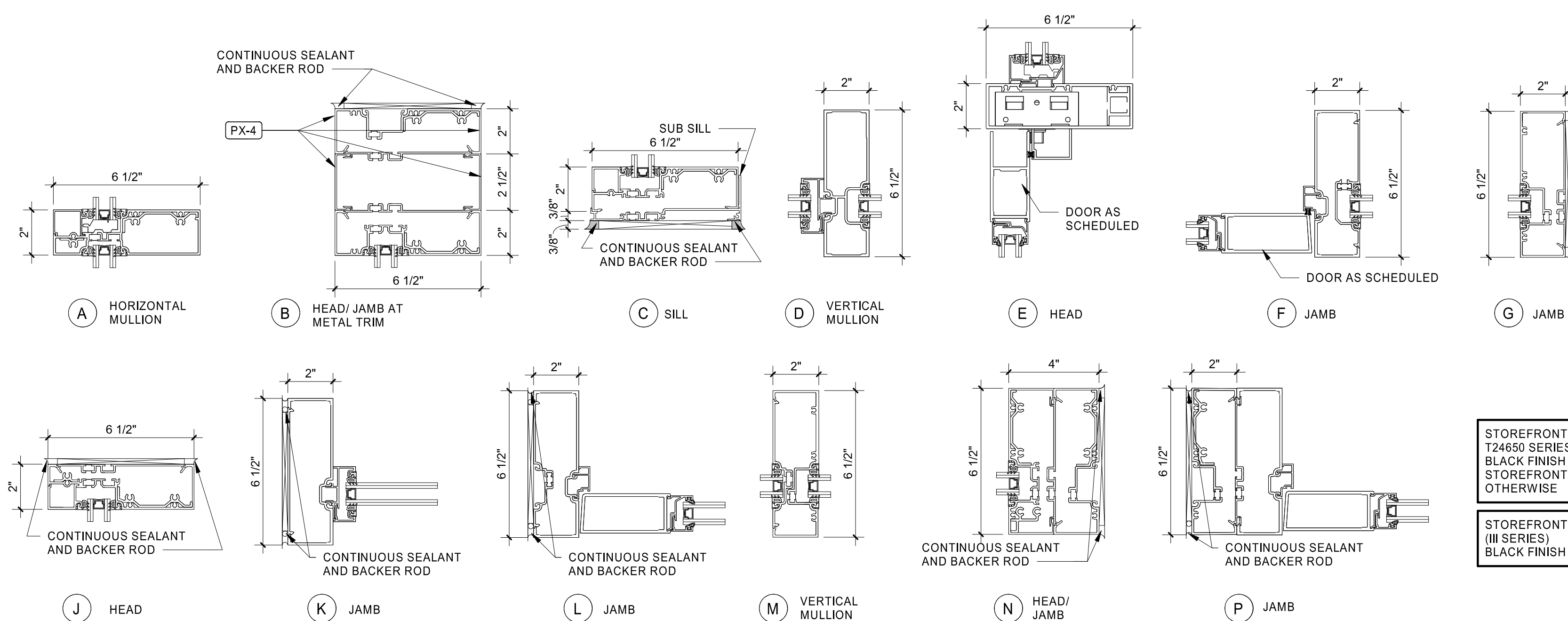
STIPULATION FOR REUSE
 THE DRAWINGS ARE PREPARED FOR USE ON A SPECIFIC SITE AT A PARTICULAR TIME AND PLACE. THEY ARE NOT TO BE REUSED, REPRODUCED, COPIED, OR TRANSMITTED IN ANY MANNER WITHOUT THE WRITTEN CONSENT OF HARRISON FRENCH & ASSOCIATES, PLLC. ANY REUSE OF THESE DRAWINGS FOR ANY OTHER PROJECT, SITE, OR TIME WITHOUT THE WRITTEN CONSENT OF HARRISON FRENCH & ASSOCIATES, PLLC IS STRICTLY PROHIBITED. HARRISON FRENCH & ASSOCIATES, PLLC IS NOT RESPONSIBLE FOR ANY REUSE OF THESE DRAWINGS FOR ANY OTHER PROJECT, SITE, OR TIME WITHOUT THE WRITTEN CONSENT OF HARRISON FRENCH & ASSOCIATES, PLLC.

Loves
 STORE NUMBER: 860
 I-59, EXIT 1
 NICHOLSON, MS 39466
 JOB NUMBER: 03-23-30009

ISSUE BLOCK

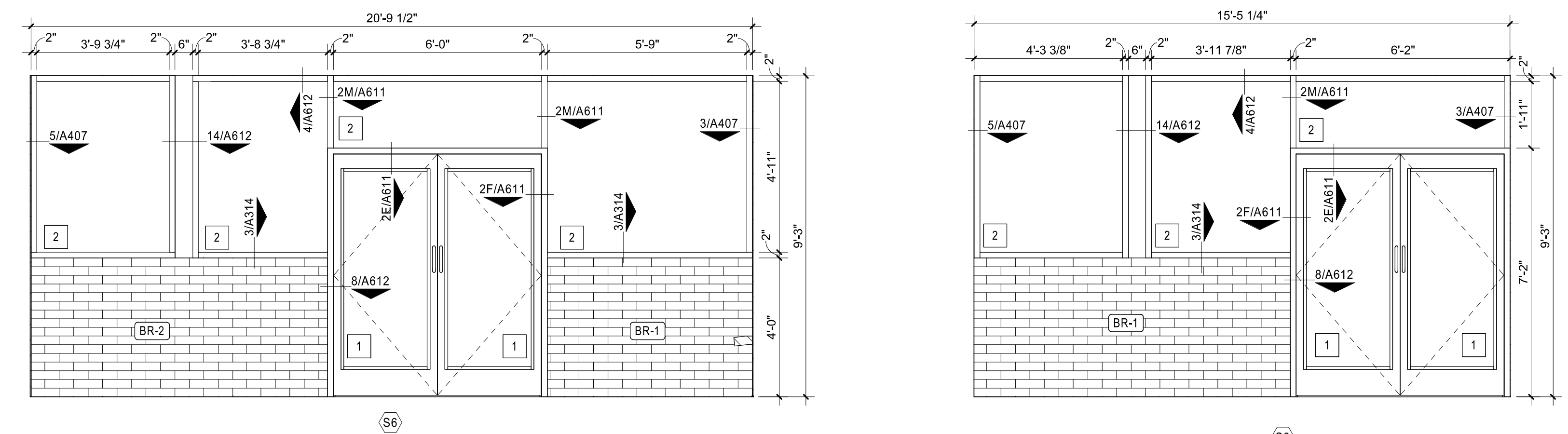
CHECKED BY: MAP
 DRAWN BY: ASE
 DOCUMENT DATE: 02/06/23
 PROTO: T1-180
 PROTO CYCLE: Q4 - 2022

REGISTERED ARCHITECT
 BOGUE L. EBBRECHT
 4925
 Bogue Louis Ebbrecht
 4925
 Bogue Louis Ebbrecht
 4925
 Bogue Louis Ebbrecht
 4925



STOREFRONT: TUBELITE, T24650 SERIES. BLACK FINISH ON ALL STOREFRONT UNLESS NOTED OTHERWISE
 STOREFRONT DOORS: TUBELITE (III SERIES) BLACK FINISH

2 STOREFRONT MULLION DETAILS
 3" = 1'-0"



1 STOREFRONT ELEVATION
 3/8" = 1'-0"

STOREFRONT ELEVATIONS & DETAILS

SHEET: **A611**

03/09/23 9:11:50 AM
 C:\Users\mfrank\OneDrive\Documents\2023\Bent\Projects\Lowes_Nicholson_MS_A611_T1-180_01_HFA_Mullion_Details.rvt
 3/24/2023 9:11:50 AM
 3/24/2023 9:11:50 AM