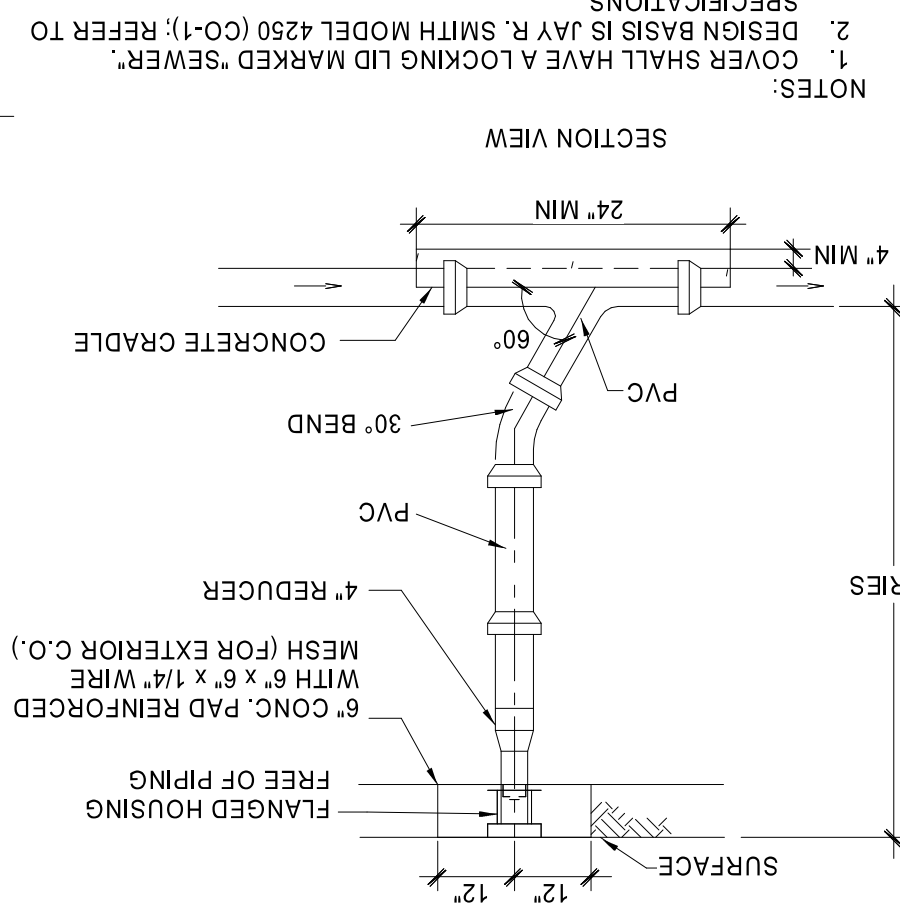
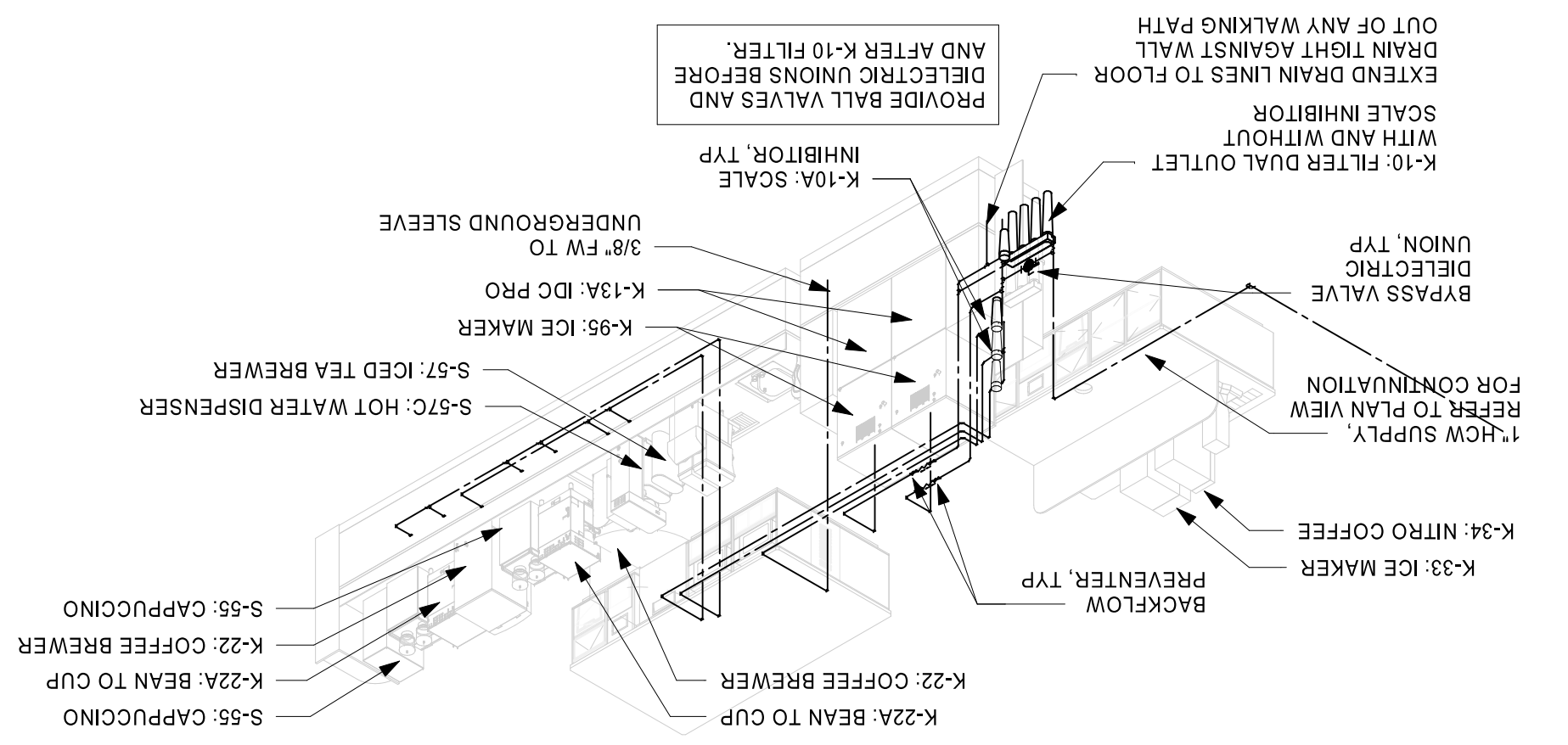


1 SANITARY SEWER CLEANOUT

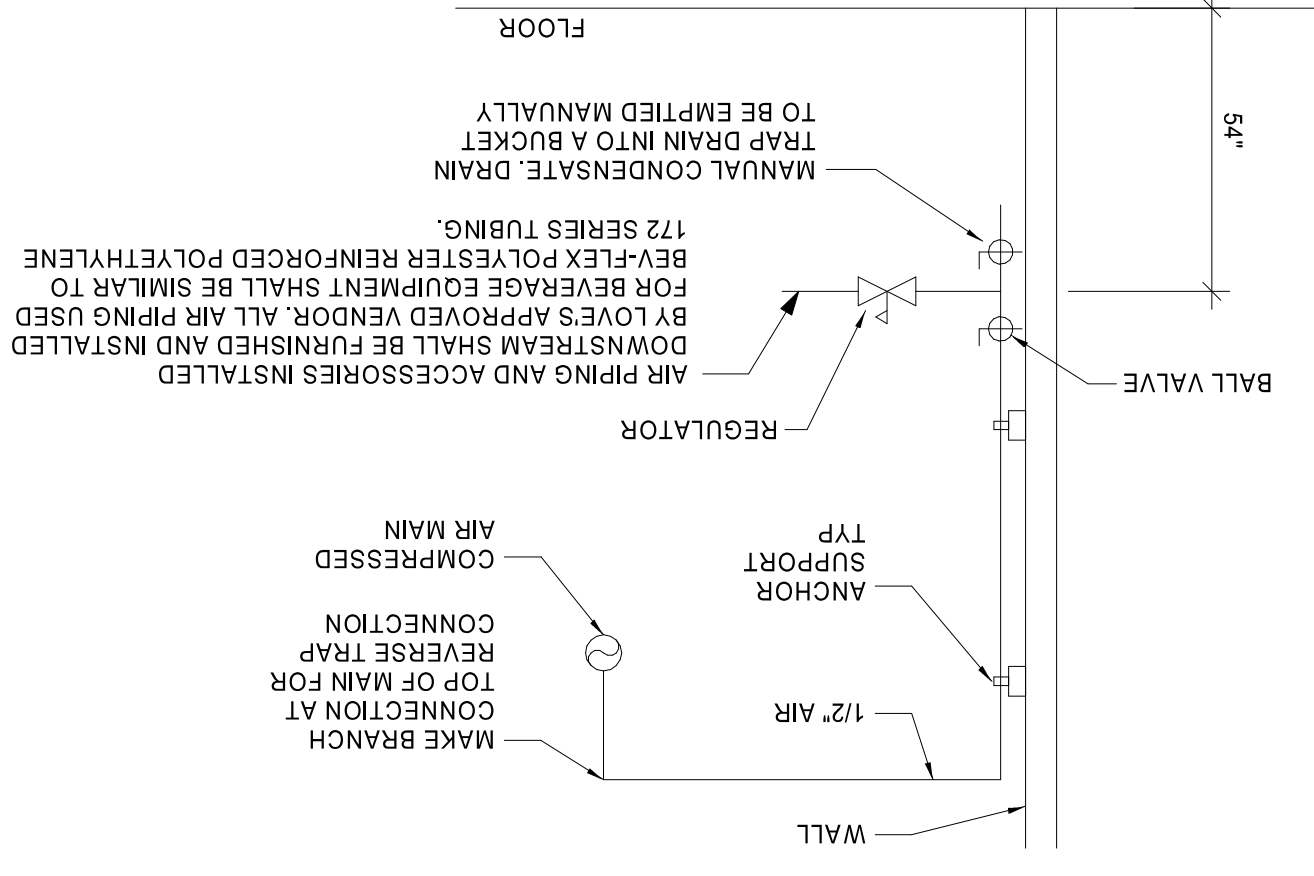


NOTES:
 1. COVER SHALL HAVE A LOOKING LID MARKED "SEWER".
 2. DESIGN BASIS IS JAY R. SMITH MODEL #250 (CO-1); REFER TO SPECIFICATIONS

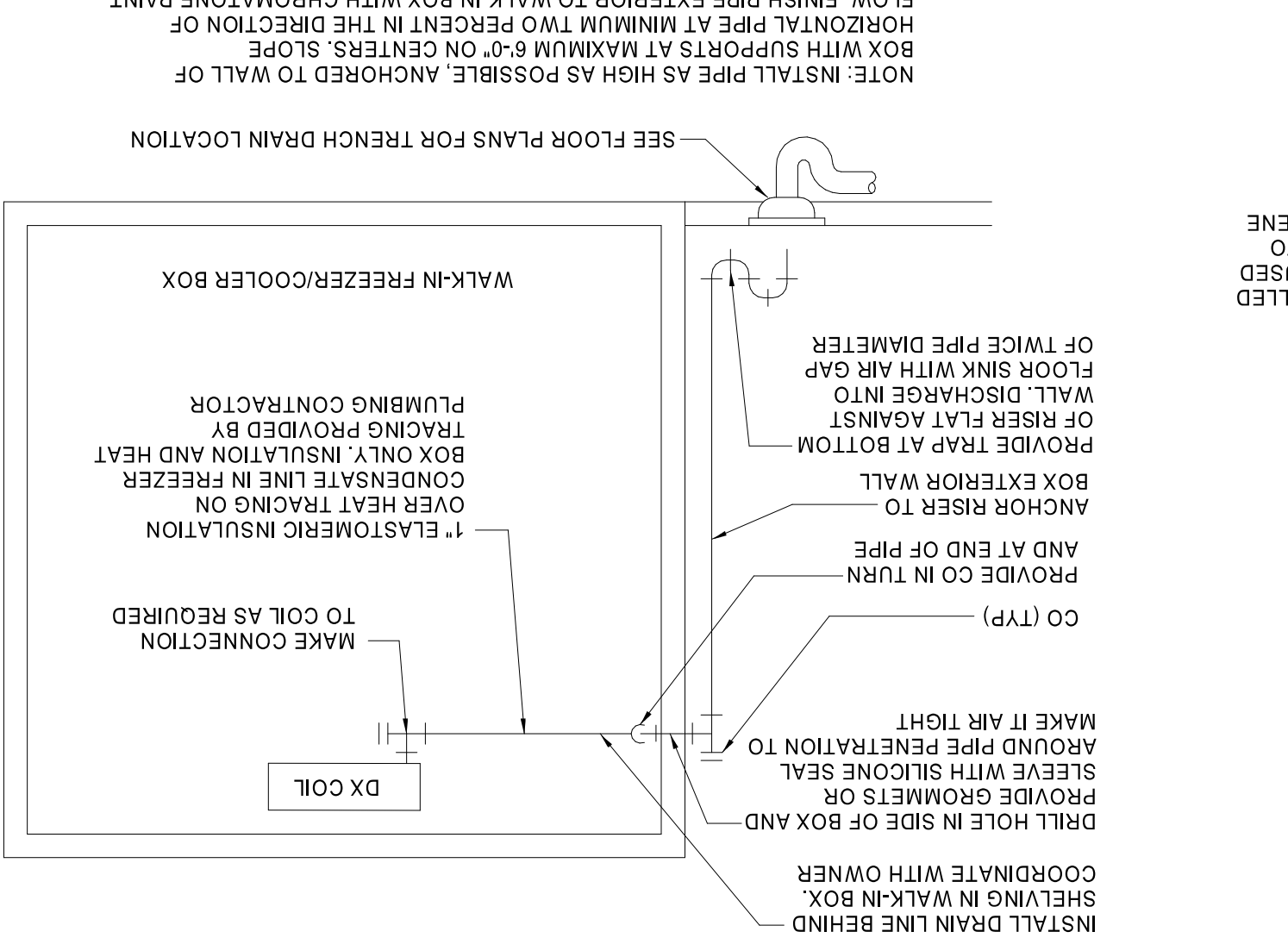
4 PIPING SCHEMATIC AT DRINK CENTER



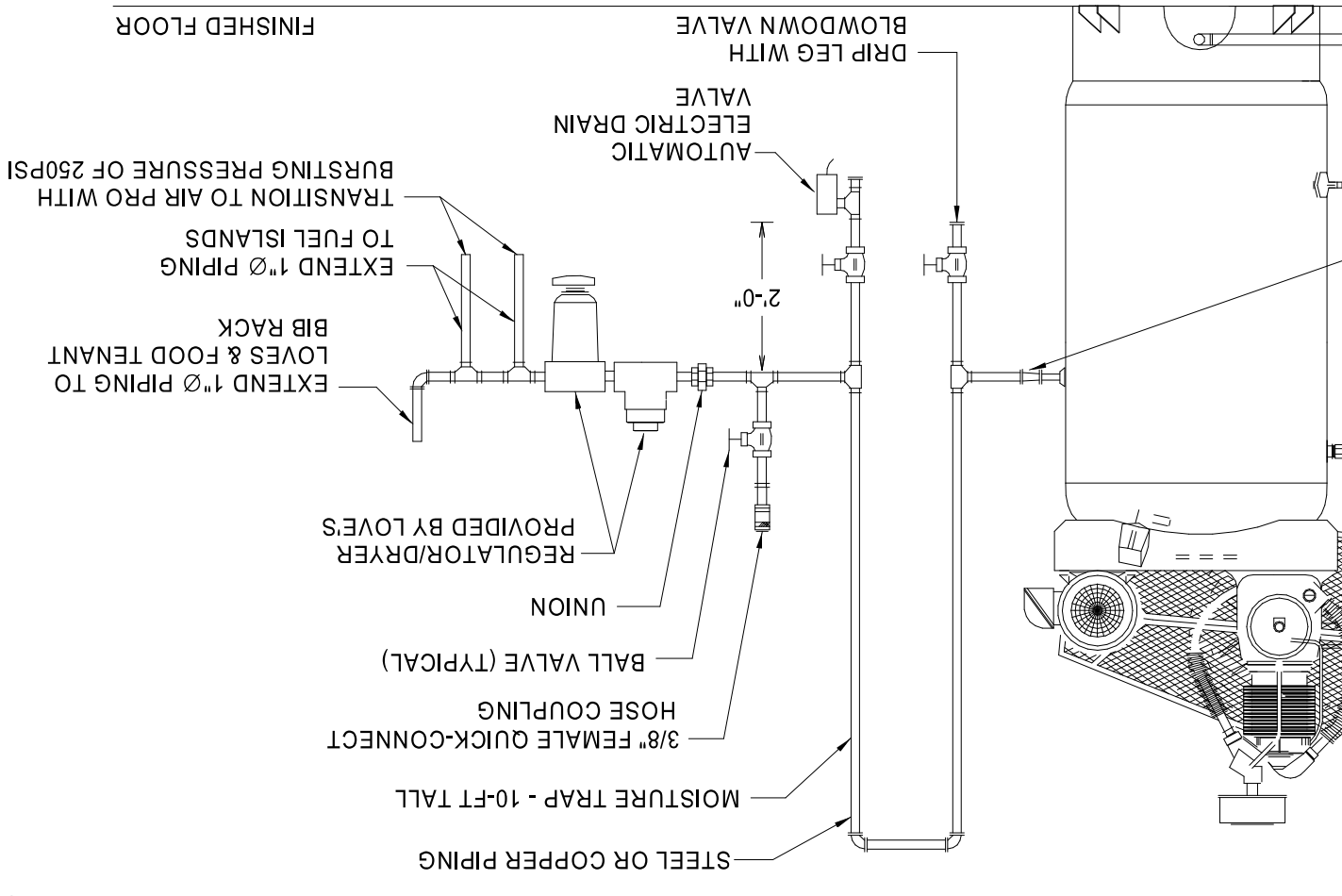
6 AIR AT BAG-IN-BOX



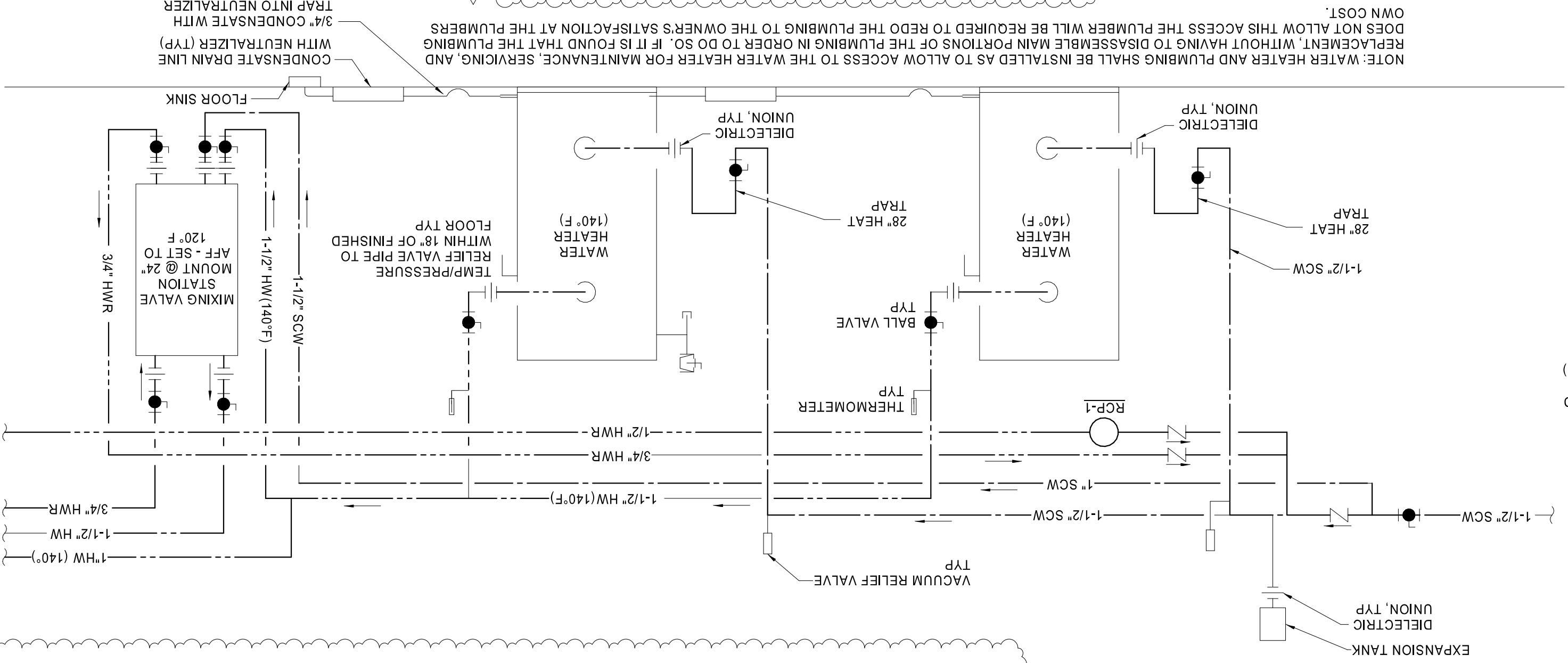
7 FREEZER/COOLER CONDENSATE DRAIN DETAIL



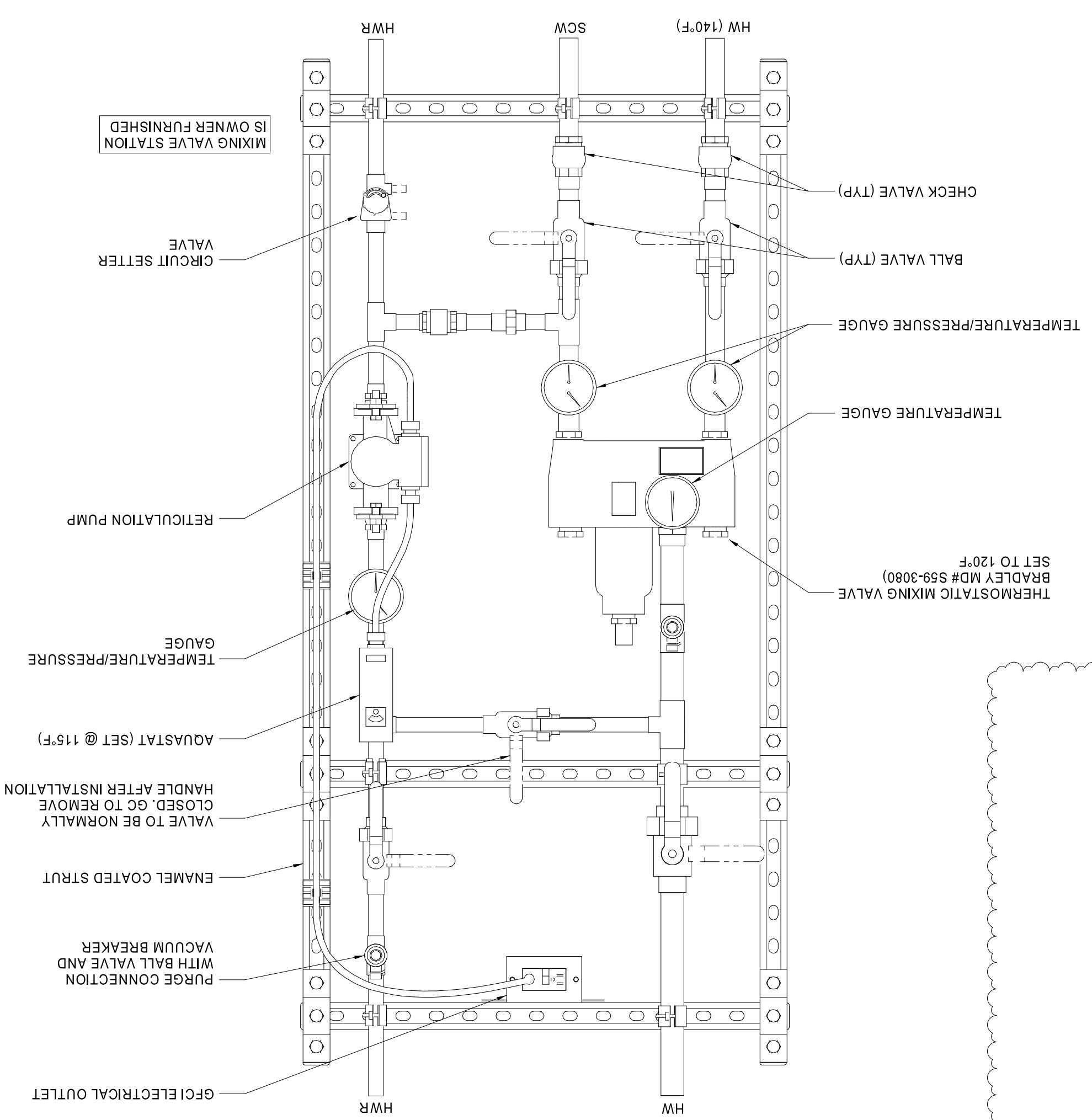
8 AIR COMPRESSOR PIPING



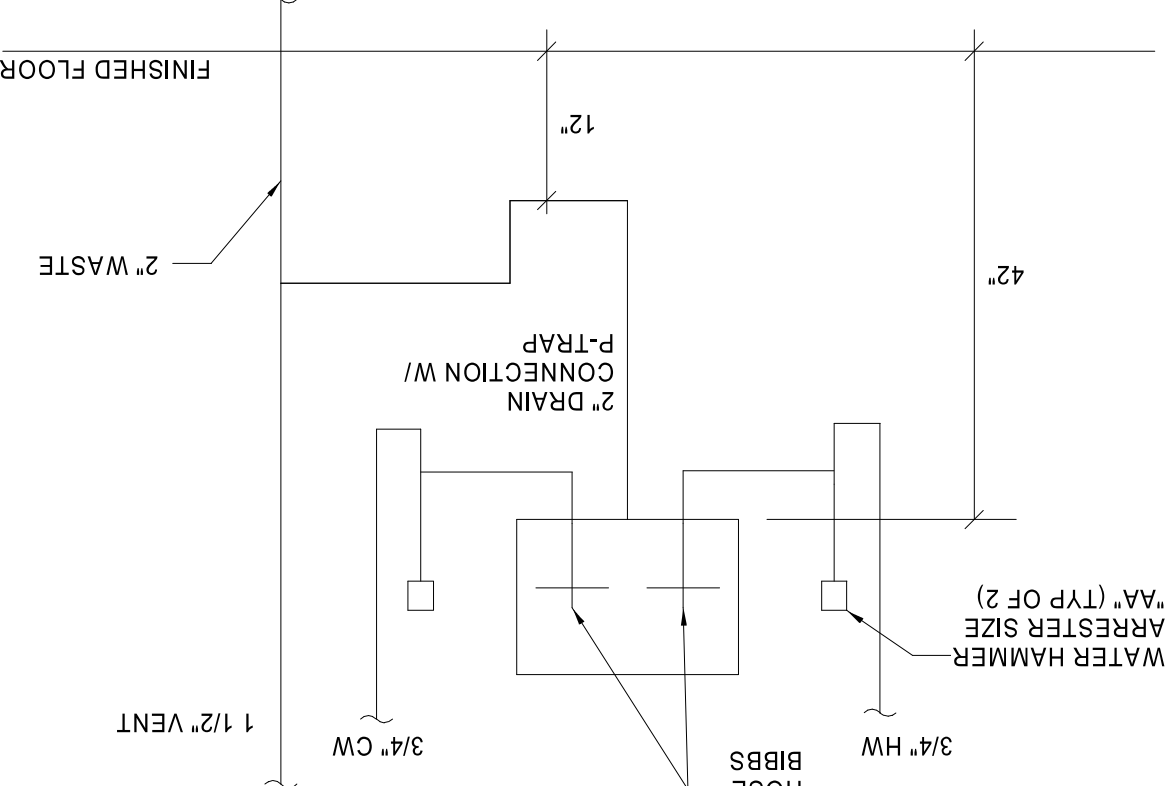
2 WATER HEATER SCHEMATIC



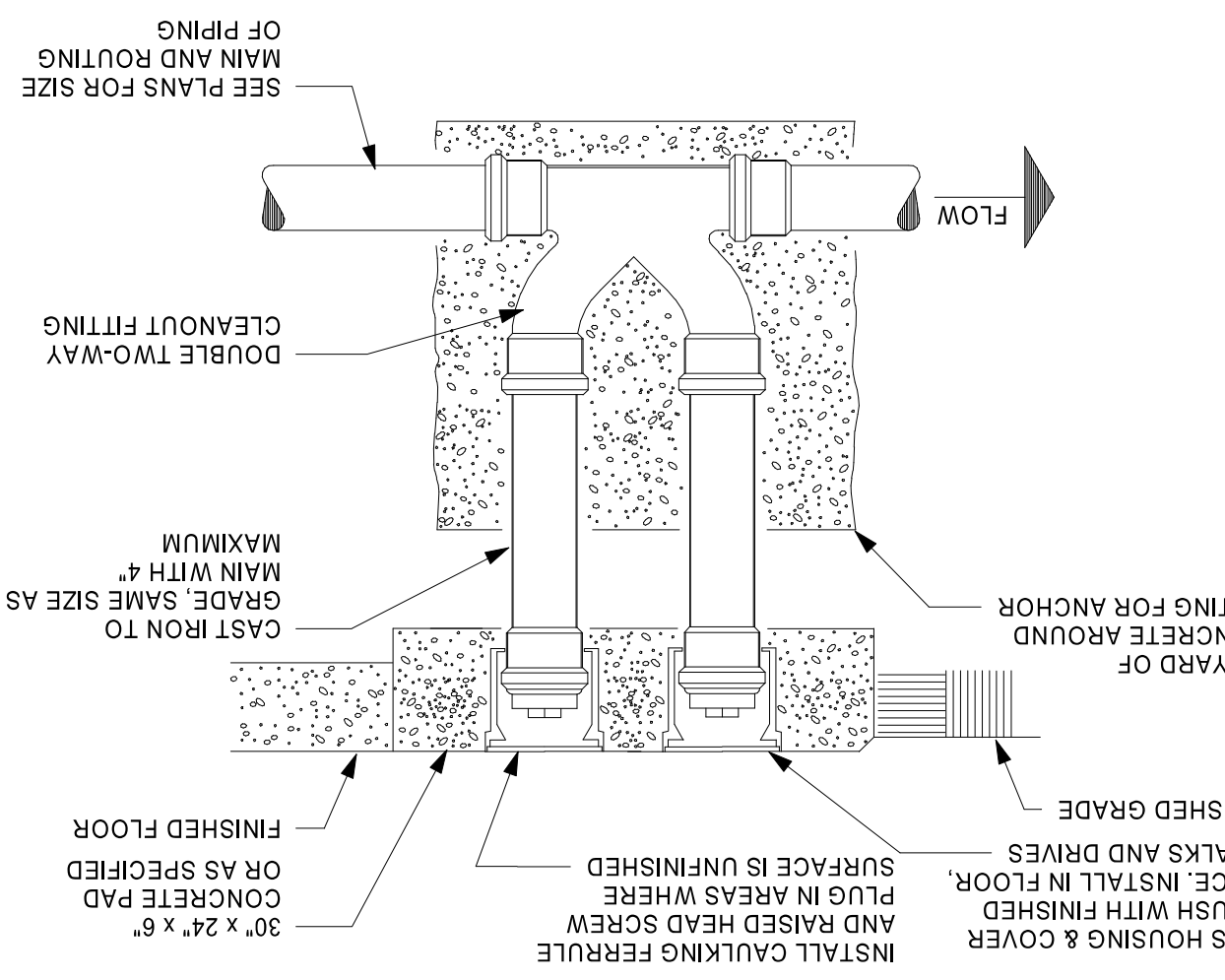
3 MIXING VALVE STATION



9 WASHER UTILITY BOX DETAIL



10 TWO-WAY CLEANOUT DETAIL



CHECKED BY:	JKR
DRAWN BY:	PRC
DOCUMENT DATE:	2/7/2023
TIER:	180
PROTO CYCLE:	04 - 2022

ISSUE BLOCK	1	ADD 1	02/16/23

Love's
 STORE NUMBER: 860
 1-59 EXIT 1
 NICHOLS, MS 39466
 JOB NUMBER: 43-33-3009
 TIER 180

STIPULATION FOR REUSE
 THIS DOCUMENT IS THE PROPERTY OF HARRISON FRENCH & ASSOCIATES, LTD. IT IS TO BE USED ONLY FOR THE PROJECT AND SITE SPECIFICALLY IDENTIFIED HEREIN. IT IS NOT TO BE REPRODUCED, COPIED, OR TRANSMITTED IN ANY FORM OR BY ANY MEANS, ELECTRONIC OR MECHANICAL, INCLUDING PHOTOCOPYING, RECORDING, OR BY ANY INFORMATION STORAGE AND RETRIEVAL SYSTEM. WITHOUT THE WRITTEN PERMISSION OF HARRISON FRENCH & ASSOCIATES, LTD. THIS DOCUMENT IS TO BE DESTROYED UPON COMPLETION OF THE PROJECT.

HFA
 HARRISON FRENCH & ASSOCIATES, LTD.
 1705 S. Walton Blvd., Suite 3
 Kenosha, Wisconsin 53142
 1-479-237-7780
 www.hfa-ac.com