

STIPULATION FOR REUSE
THIS DRAWING IS PREPARED FOR USE ON A SPECIFIC SITE AT THE LOCATION AND DATE INDICATED. IT IS NOT TO BE REUSED, REPRODUCED, COPIED, OR TRANSMITTED IN ANY MANNER WITHOUT THE WRITTEN CONSENT OF HARRISON FRENCH & ASSOCIATES, LTD. ANY REUSE OF THIS DRAWING FOR ANY OTHER PROJECT, SITE, OR DATE WITHOUT THE WRITTEN CONSENT OF HARRISON FRENCH & ASSOCIATES, LTD. IS PROHIBITED. HARRISON FRENCH & ASSOCIATES, LTD. IS A LICENSED ARCHITECTS AND ENGINEERS FIRM. ANY REUSE OF THIS DRAWING FOR ANY OTHER PROJECT IS NOT PERMITTED AND MAY BE CONSIDERED TO BE A VIOLATION OF THE LAW.



STORE NUMBER: 860
I-59, EXIT 1
NICHOLSON, MS 39466

TIER 1 180

ISSUE BLOCK

| | | |
|--|--|--|
| | | |
| | | |
| | | |
| | | |
| | | |
| | | |

CHECKED BY: JKR

DRAWN BY: PRC

DOCUMENT DATE: 2/7/2023

PROTO: TIER 1 180

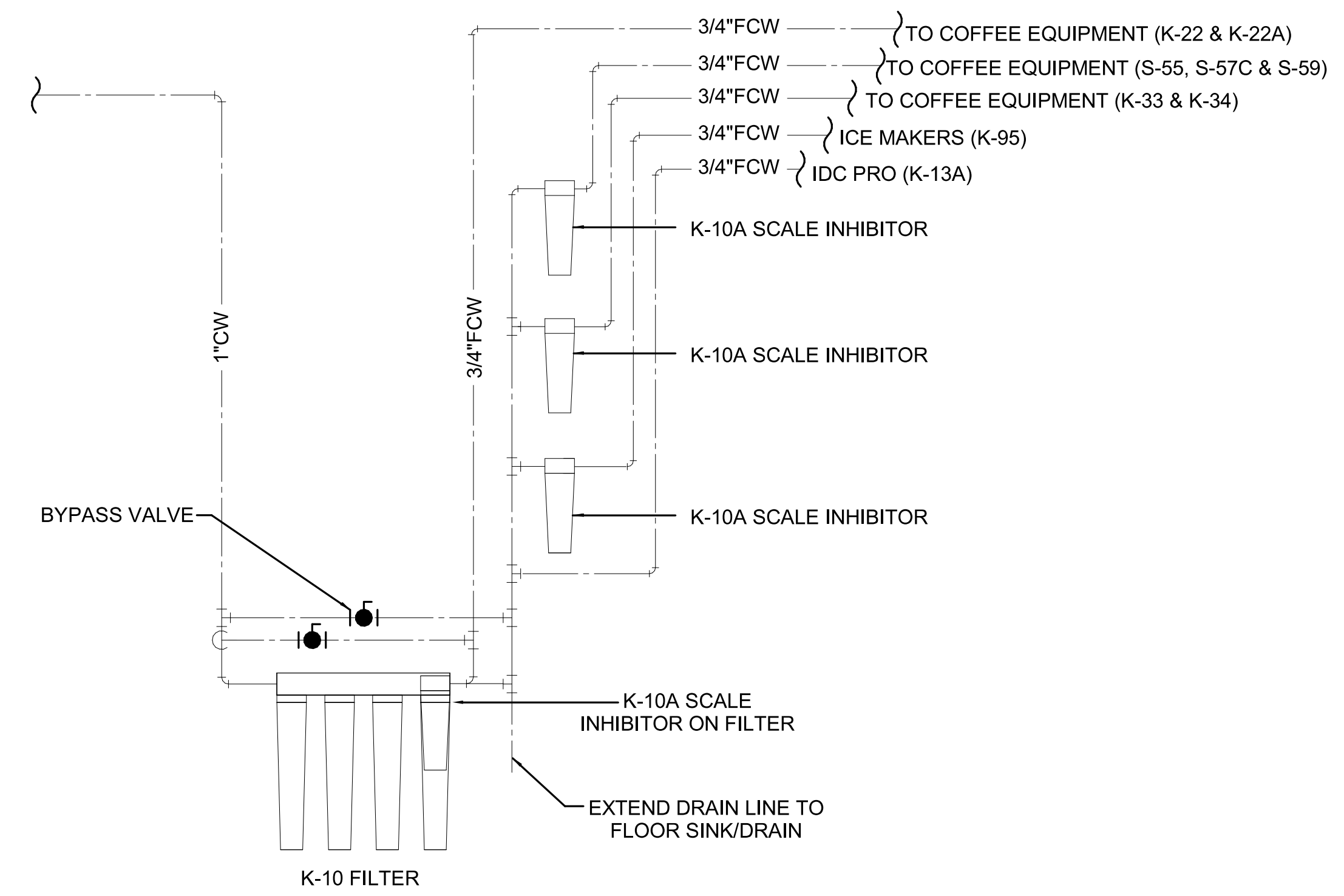
PROTO CYCLE: Q4 - 2022



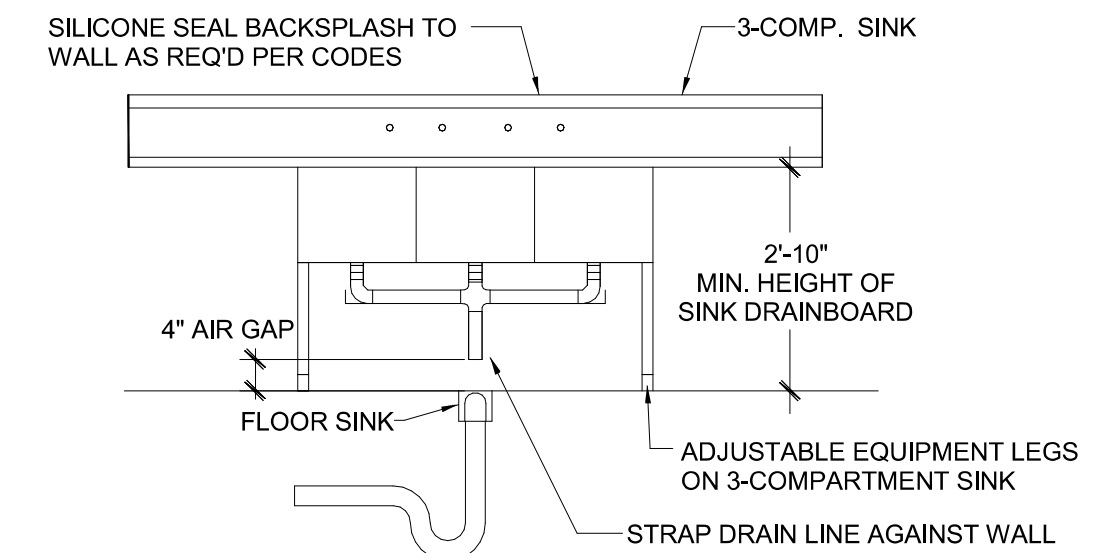
2023.02.07 13:32:44 06'00"

PLUMBING DETAILS

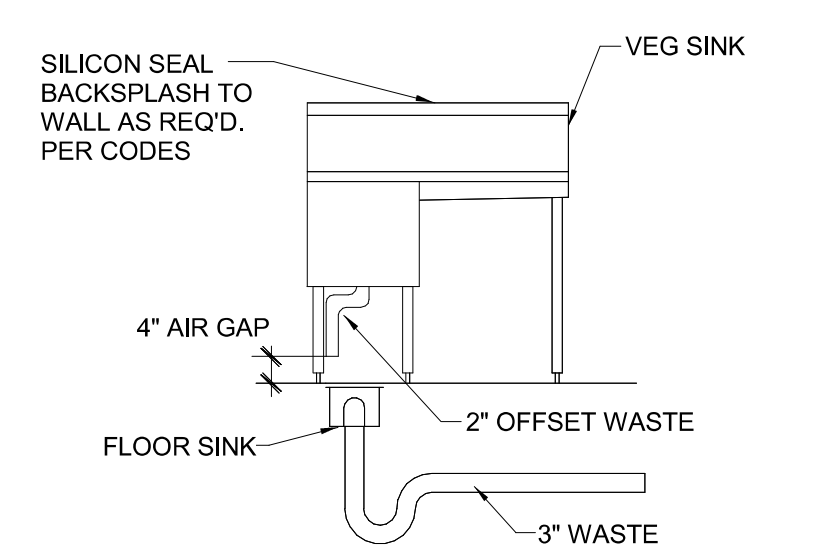
SHEET: **P302**



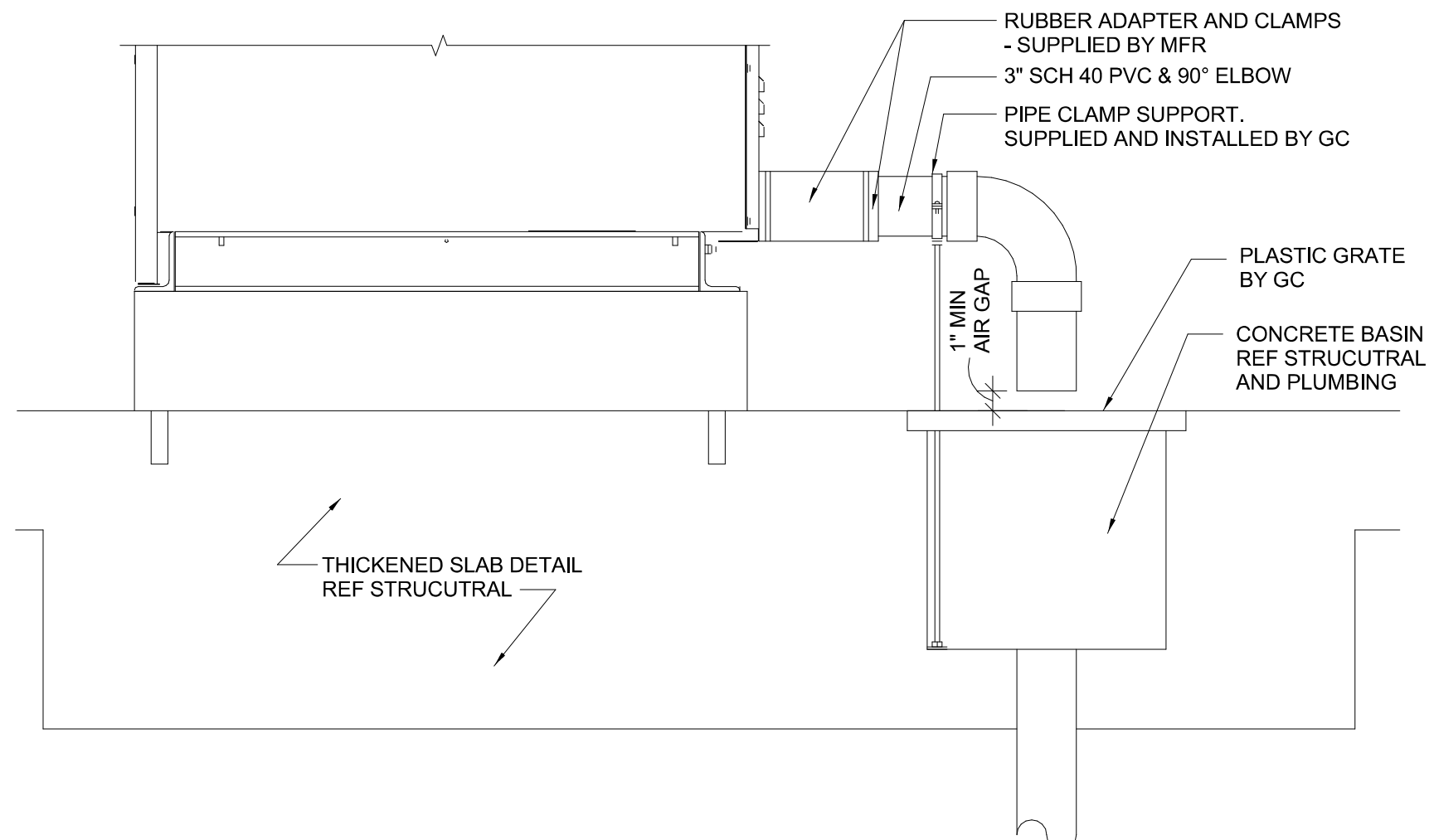
5 K-10 FILTER PIPING SCHEMATIC
NTS



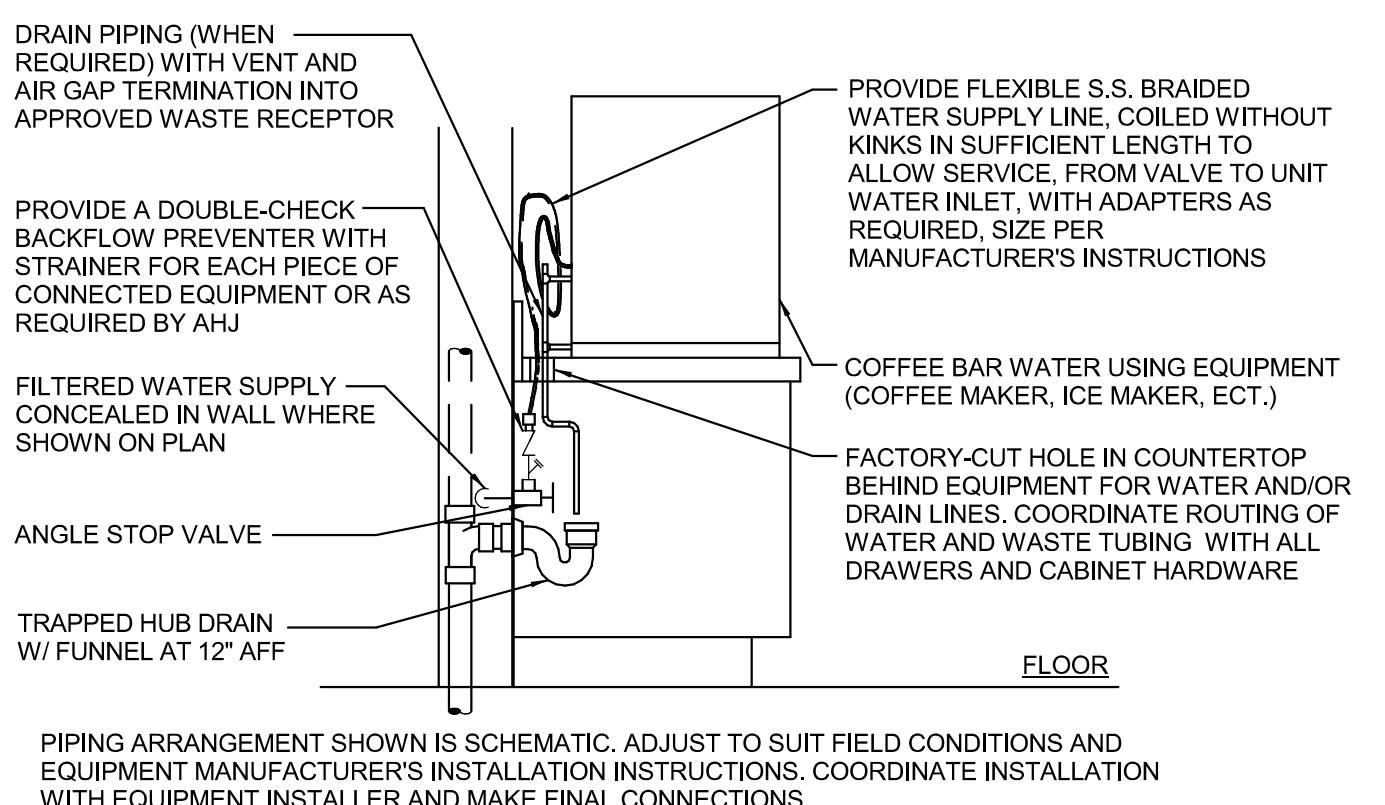
3 3-COMP SINK INSTALLATION
NTS



4 VEG. SINK INSTALLATION
NTS



1 WASHING MACHINE DRAIN DETAIL
NTS



2 BEVERAGE BAR PLUMBING CONNECTIONS
NTS

2/2/2023 10:45:59 AM
 C:\Users\jprince\OneDrive\Documents\2023\New\Projects\Love's_Nicholson_MS_MEP_T2_180_C21_HFA_Plumbing_Details.rvt
 4/27/2023 04:18:00 PM LMBING DETAILS