

# **CONTROL SYSTEMS, INC.**

P.O. Box 4852, Jackson, Mississippi 39296-4852  
PHONE (601) 355-8594 FAX (601) 355-8774

**DUPLEX CONTROL PANEL**

**WEST SHOPPING CENTER**

**SLIDELL, LA**

**2004**

**CUSTOMER: PARSON & SANDERSON, INC.  
P. O. # 04-39688**

NOTICE: THIS CONTROL SYSTEM DESIGN IS THE PROPERTY OF CONTROL SYSTEMS, INC., AND IS LOANED SUBJECT TO THE CONDITION THAT IT SHALL NOT BE REPRODUCED, COPIED, LOANED, OR OTHERWISE DISPOSED OF, DIRECTLY OR INDIRECTLY. IT SHALL BE USED AS A MEANS OF REFERENCE TO CONTROLS FURNISHED BY CONTROL SYSTEMS, INC., AND IS NOT TO BE SUBMITTED TO OUTSIDE PARTIES FOR EXAMINATION WITHOUT OUR CONSENT.

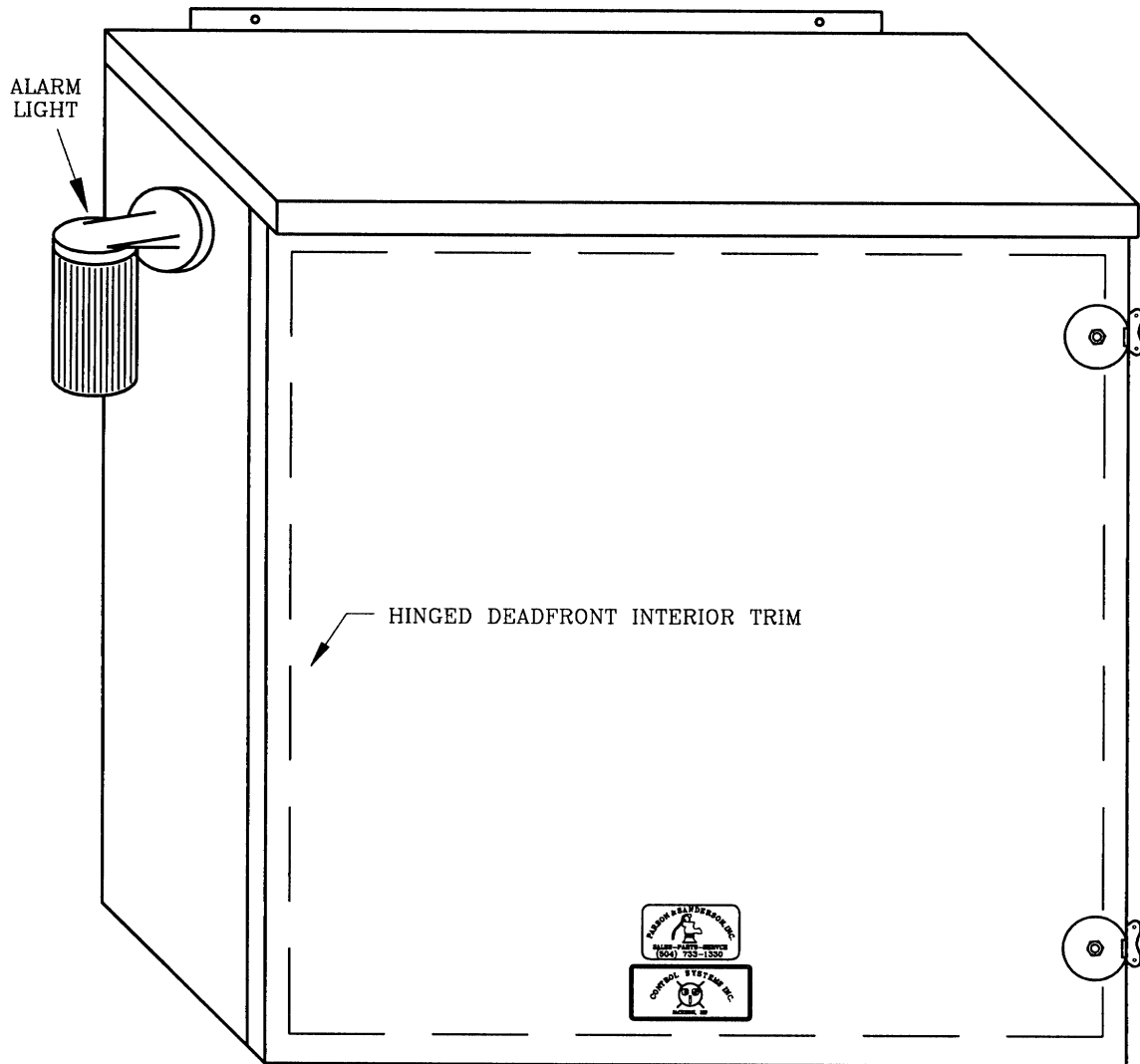
JOB NO.: 29898

DATE: July 21, 2004

VISIT OUR WEBSITE AT [HTTP://WWW.CONTROLSYSINC.COM](http://www.controlsysinc.com)

## **START-UP CHECK LIST**

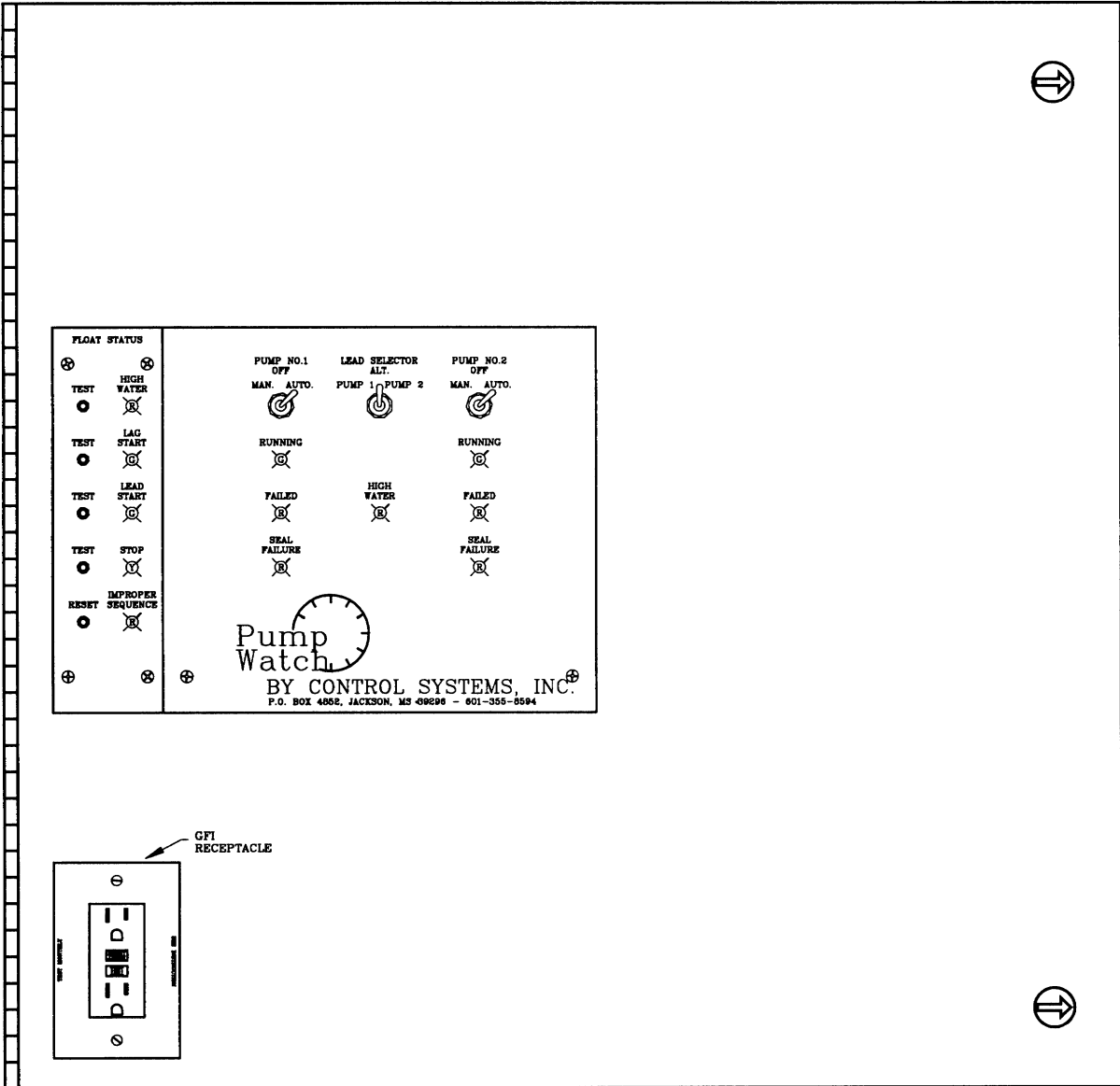
1. Has control panel ground lug been properly attached to earth ground rod? Problems caused by ungrounded control panel are not covered under warranty.
2. Have conduits been properly sealed? Problems due to corrosion caused by unsealed conduits are not covered under warranty.
3. Have overloads been checked and set for actual full load amps of motor?
4. Check and tighten all power connections, i.e. main lugs, all circuit breakers, line and load side of starters and overload relays.



NEMA 3R ENCLOSURE  
(24"H X 24"W X 8"D)

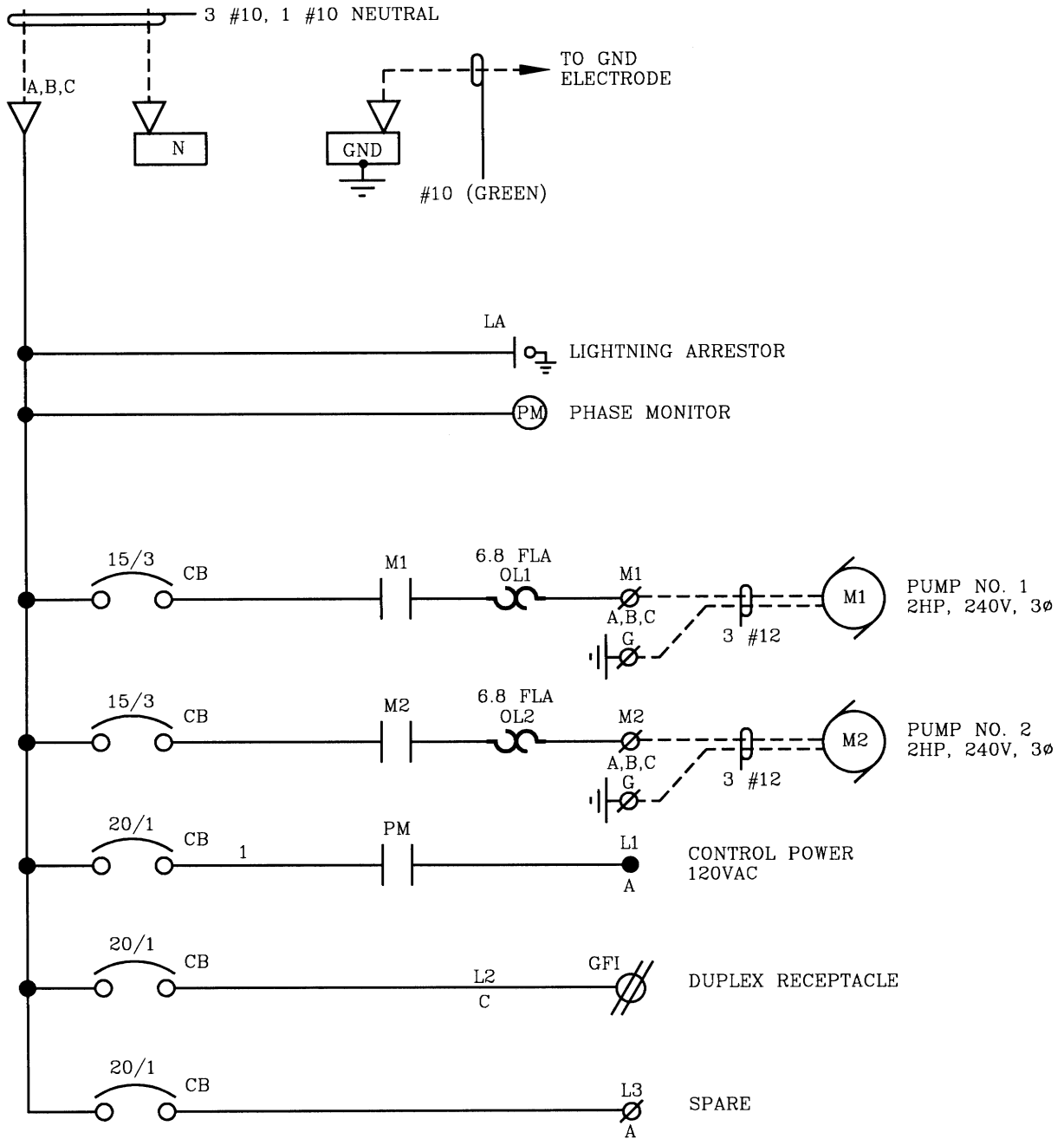
DUPLEX CONTROL PANEL  
DEADFRONT DETAIL

CONTINUOUS HINGE

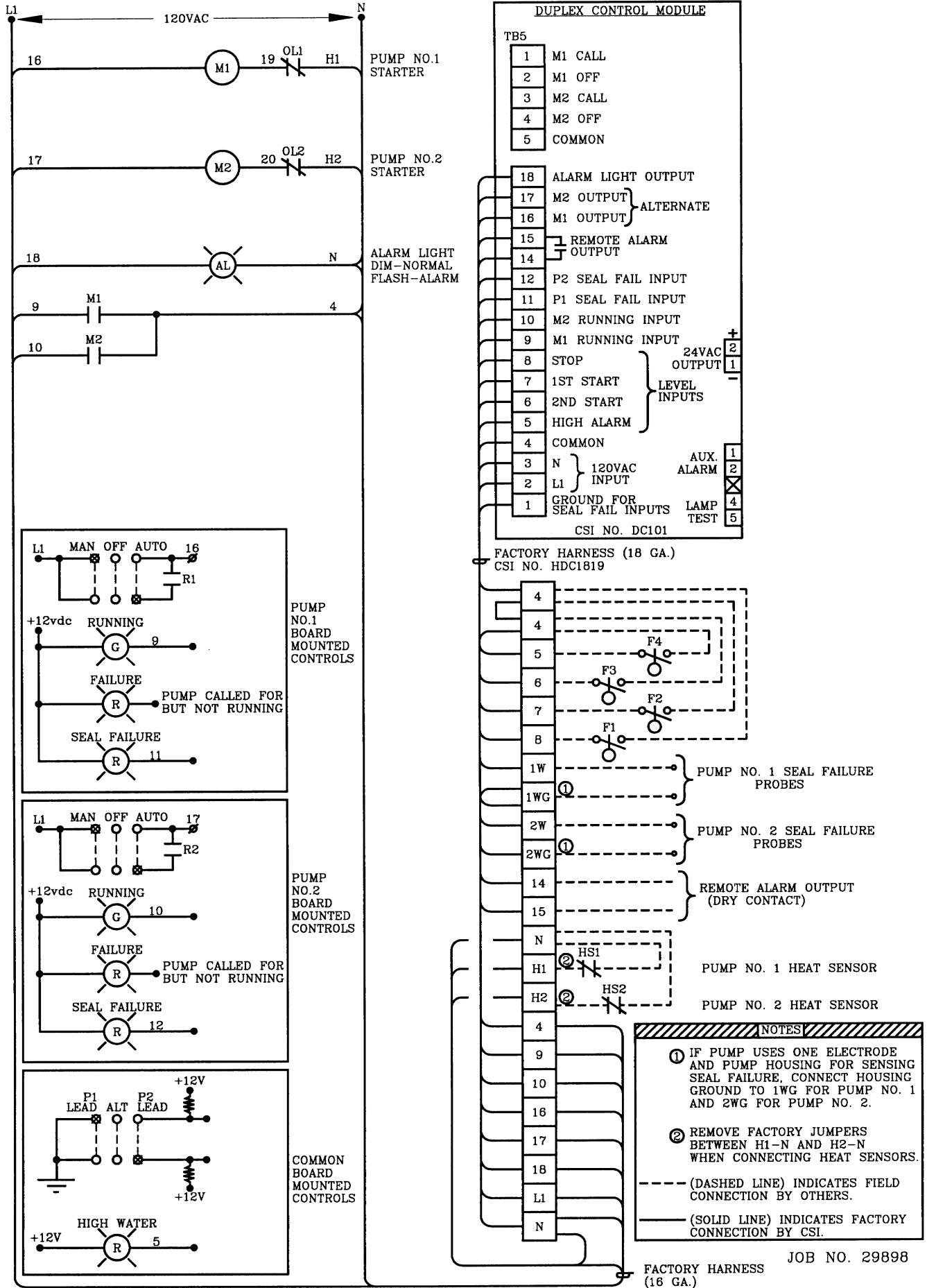


DUPLEX CONTROL PANEL  
ONE LINE POWER SCHEMATIC

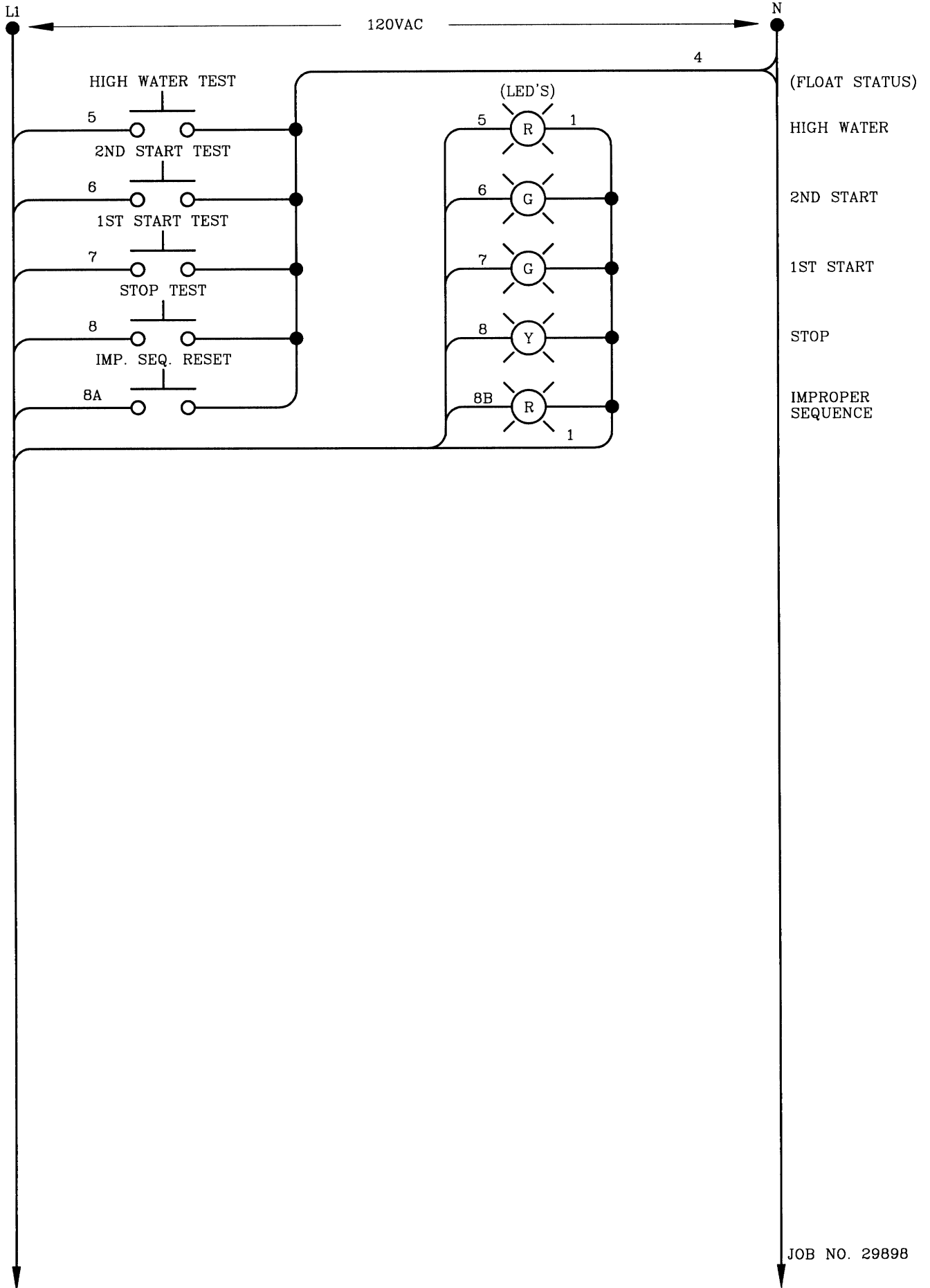
120/240V., 3 $\phi$ , 4W (B PHASE HIGH LEG)



**DUPLEX CONTROL PANEL  
CONTROL SCHEMATIC**



DUPLEX CONTROL PANEL  
CONTROL SCHEMATIC



QTY	SYM	MFR	CAT #	DESC	PAGE #
1	DC	CSI	DC101D	Duplex Controller	C213-C213E
1	FT	CSI	FT101A	Float Test, Indication, And Improper Sequence	C215-C215A
1	LA	Delta	LA-303	Lightning Arrestor Three Phase,300V	C252
1		Hoffman	A-24R248HCR	NEMA 3R Enclosure 24X24X8	C483-C484
1	PM	Motor Saver	Model 102	Phase Failure Monitor	C613-C614
1	GFI	P & S	1594-RI	GFI Duplex Receptacle	C637
1	AL	RAB	VBR100 / GL100PGR	Wall Mounted Alarm Light With Red Lexan Globe	C718, C718A
2	M	Furnas	14BSD32AA	NEMA Size 00 Starter 2.5 - 10 Amps	C750I
3	CB	Square D	QOU120	Circuit Breaker 20 Amp, 1 Pole, 120V	C791-C791A
2	CB	Square D	QOU315	Circuit Breaker 15 Amp, 3 Pole, 240V	C791-C791A
1	GND	Square D	PK9GTA	Equipment Ground Bar	C823