



DAMMON ENGINEERING, INC.
EMMETT DAMMON

ARCHITECT
ROBERT WILTSE

1095 FLORIDA AVENUE
 SLIDELL, LA. 70458
 985-649-5832

WEBSITE:
 WWW.DAMMONENGINEERING.COM

EMAIL:
 DAMMONENG@BELL.SOUTH.NET

ARCHITECTURE
 ENGINEERING
 STUDIES
 PLANNING
 INVESTIGATION
 EXPERT WITNESS

**NEW OFFICE/
 WAREHOUSE**

O'BRIEN / NORTH
 SHORE FLOORING
 DISTRIBUTORS
 J.F. SMITH AVE.
 SLIDELL, LA

**UTILITY
 PLAN**

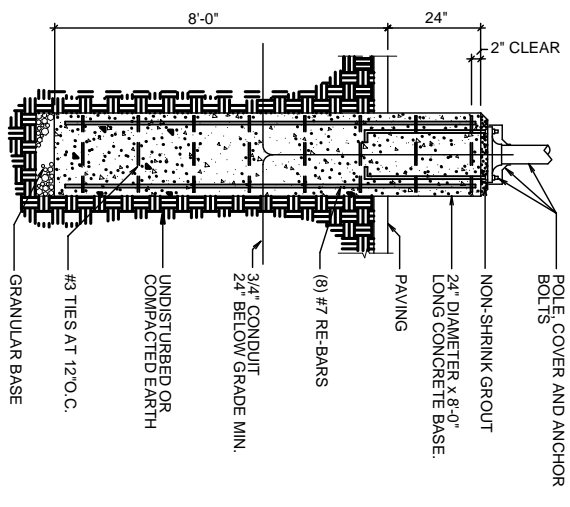
REV:	
SCALE:	AS NOTED
JOB#:	
DATE:	1-4-08
SHEET	

C-4

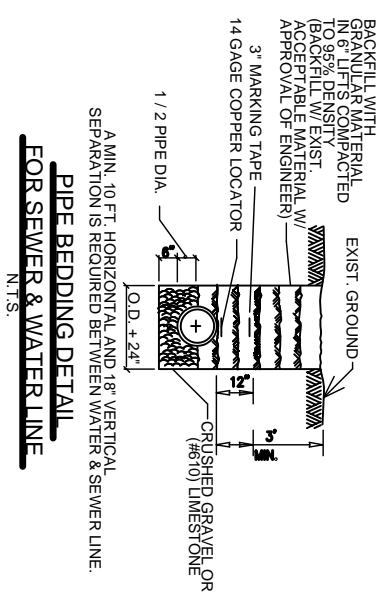
OF

LEGEND

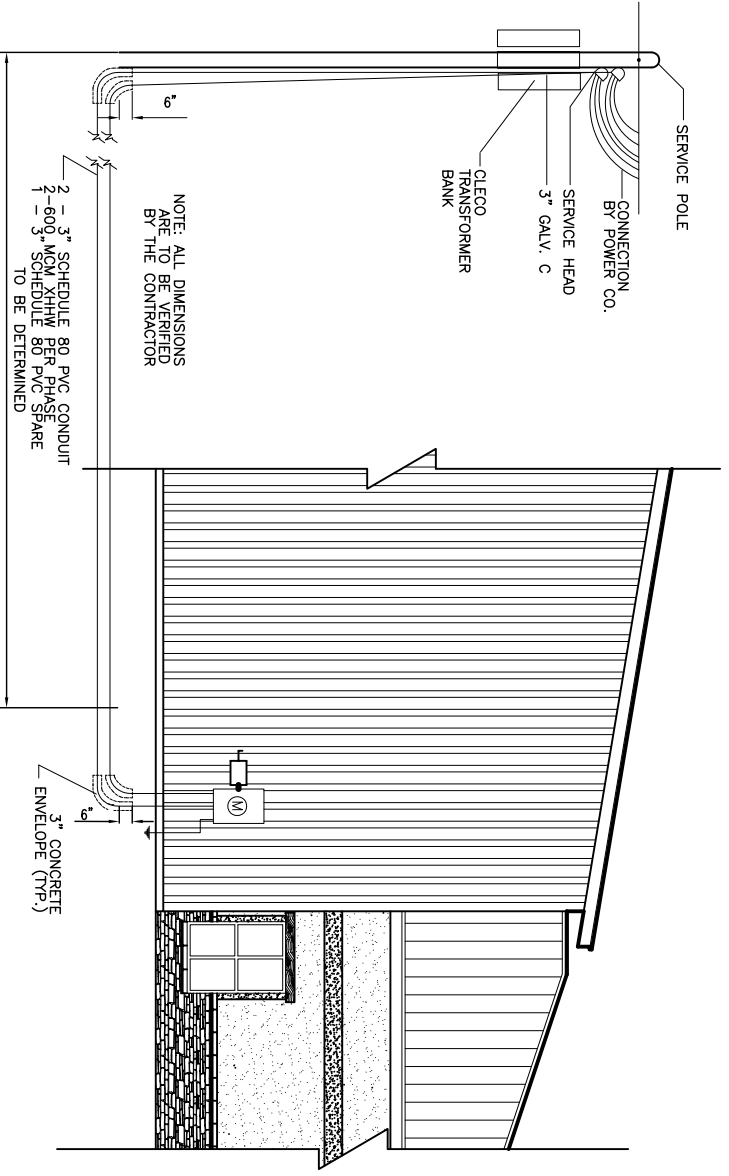
- PROPERTY LINE
- SETBACK
- NEW BUILDING OUTLINE
- SERVITUDE / EASEMENT
- NEW WATER LINE
- NEW SEWER LINE
- NEW POWER LINE
- SITE LIGHTING LINE
- SILT FENCING DETAIL
- FIRE HYDRANT AND VALVE
- SITE LIGHTING



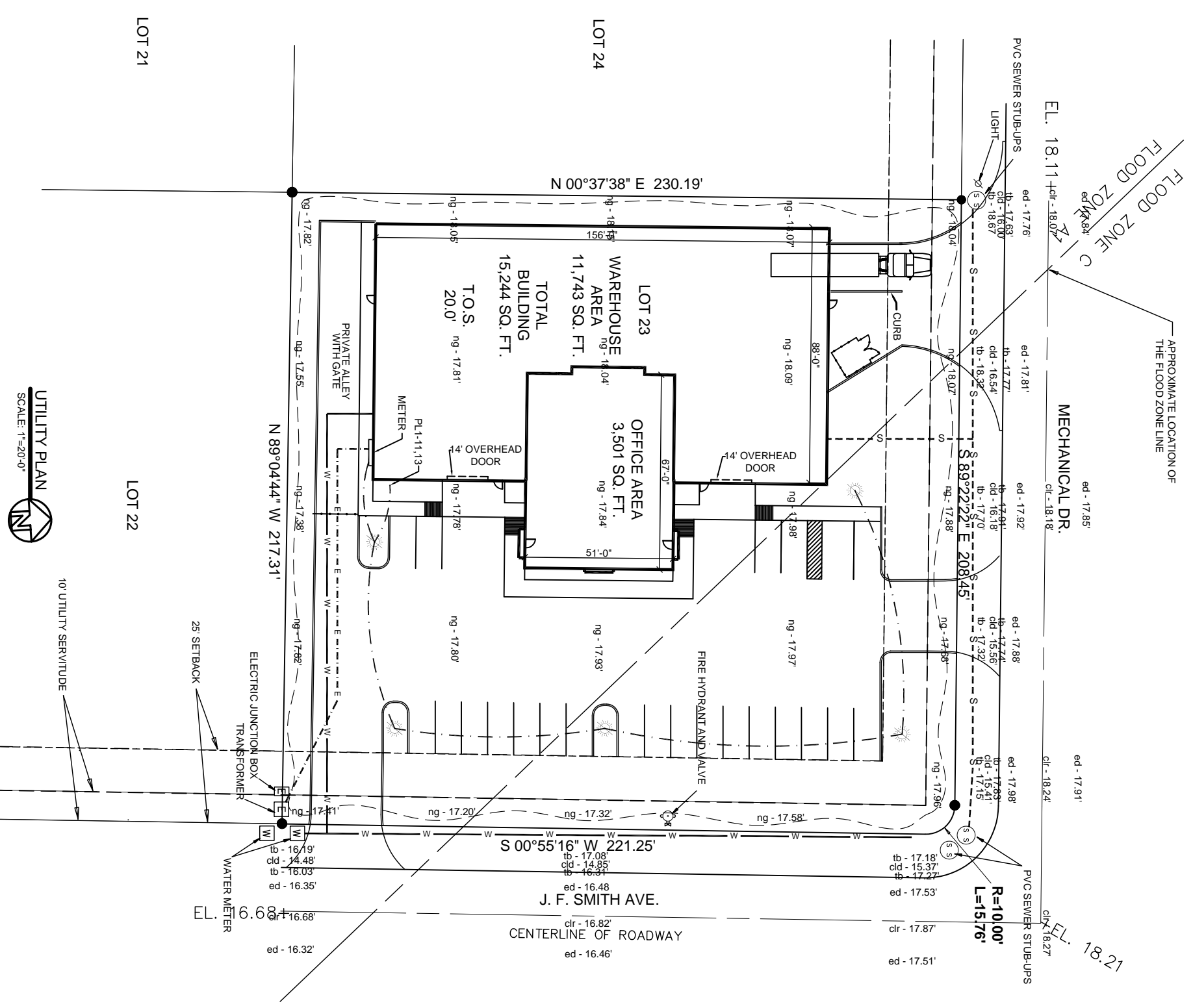
LIGHT POLE DETAIL
 N.T.S.



**PIPE BEDDING DETAIL
 FOR SEWER & WATER LINE**
 N.T.S.



ELECTRICAL SERVICE DETAIL (SOUTH ELEVATION)
 N.T.S.



UTILITY PLAN

SCALE: 1"=20'-0"



BM - "AL" on FIRE HYDRANT
 ELEVATION = 20.09' (NAVD88 GEOID03)