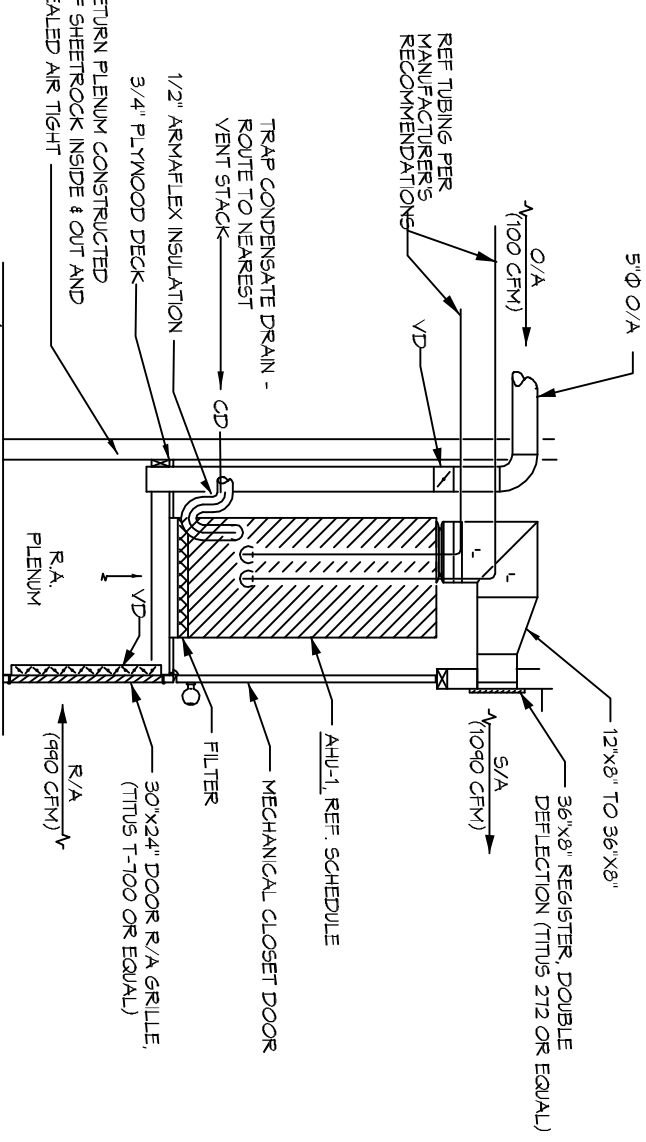


GENERAL HVAC NOTES

1. CONCEALED DUCTWORK TO BE GALVANNEED SHEET METAL LINED WITH FIBROGLASS GLASS DUCT LINER. MIN R-6. INSTALLED PER SMACNA STANDARDS.
2. EXPOSED DUCTWORK TO BE GALVANNEED SHEET METAL LINED WITH FIBROGLASS GLASS DUCT LINER. MIN R-6. INSTALLED PER SMACNA STANDARDS.
3. ROUND FLEXIBLE DUCT TO BE UL-181, CLASS 1, AIR DUCT MATERIALS.
4. DUCT SIZES SHOWN ARE CLEAR INSIDE DIMENSIONS.
5. IN ALL SYSTEMS OVER 2000 CFM AND LESS THAN 15,000 CFM, SMOKE DETECTORS SHALL BE INSTALLED IN ACCORDANCE WITH NFPA 72E IN THE RETURN DUCT DOWNSTREAM OF THE AIR HANDLING UNIT AND ALL FILTERS TO AUTOMATICALLY STOP THE FAN.
6. PROVIDE UL LISTED 125 F. FRIEZEAT IN RETURN AIR OF EACH SYSTEM UNDER 2000 CFM TO SHUT DOWN THE FAN IN THE EVENT OF FIRE.
7. PROVIDE UL RATED FIRE DAMPERS WHERE REQUIRED AT ALL DUCT PENETRATIONS OF FIRE-RATED ASSEMBLIES AND WHERE REQUIRED BY CODE, INCLUDING OUTSIDE AIR INTAKES AND EXHAUST FANS.
8. CONDENSATE DRAINS TO BE PVC PIPE RUN TO EXHAUST P-TRAP WITHIN THE FOOT OF AIR HANDLING UNITS.
9. ALL AIR HANDLING SYSTEMS TO BE BALANCED TO ASSURE PROPER AIR FLOW PER FANS.
10. ALL THERMOSTATS TO BE AUTOMATIC CHANGEOVER WITH HEAT SWITCH.
11. EXHAUST FAN SHALL BE CONTROLLED BY A SWITCH ON THE WALL IN THE SAME LOCATION AS LIGHT SWITCHES. PROVIDE BACK DRAFT DAMPER.
12. PROVIDE AND INSTALL WATER PROOF GRILLE VENT IN PROPER ROOF LOCATION FOR FLOWING FRESH AIR EXHAUST.
13. ALL SUPPLY AIR VENTS SHALL BE EQUIPPED WITH AIR CONTROL DAMPERS AT THE REGISTER.
14. LOCATE OUTDOOR UNITS AS SHOWN ON ARCHITECTURAL DRAWINGS.
15. REFRIGERANT LINES SHALL BE SIZED BY INT MANUFACTURER AND INSTALLED ACCORDING TO MANUFACTURER'S INSTRUCTIONS.
16. FRESH AIR SHALL BE SUPPLIED TO EACH AIR HANDLER THROUGH EXTERIOR WALL DUCT SUPPLIED WITH A CONTROL DAMPER.
17. ALL ELECTRICAL, MECHANICAL, AND PLUMBING PENETRATING FIRE RESISTING WALLS SHALL BE INSTALLED IN ACCORDANCE WITH THE CONSTRUCTION SHALL BE SEALED WITH A MATERIAL CAPABLE OF PREVENTING THE PASSAGE OF FLAMES AND HOT GASES WHEN TESTED IN ACCORDANCE WITH ASTM-E814.
18. ALL MECHANICAL SYMBOLS ARE DRAWN DIAGRAMMATICALLY. CONTRACTOR TO VERIFY WITH OWNER LOCATIONS OF VENTS, DAMPERS, REGISTER, ETC.
19. FLEXIBLE DUCTWORK LENGTH NOT TO EXCEED 12'-0".
20. REFER TO REFLECTED CEILING PLAN FOR FINAL GRILLE AND DIFFUSER LOCATIONS AND COORDINATE AS REQUIRED.
21. FINAL LOCATION OF TEMPERATURE CONTROLS TO BE COORDINATED WITH OWNER AT JOB SITE.
22. PROVIDE AND INSTALL SMOKE DETECTORS AS APPROVED BY LOCAL AGENY. PLACE NEAR R/A AND S/A OPENINGS OF AHU AND PROVIDE WITH ACCESS PANEL, MARKING BY ELECTRICAL CONTRACTOR.
23. FRESH AIR INTAKES ARE REQUIRED TO HAVE MOTORIZED OR GRAVITY DAMPERS TO SHUT OFF WHEN SYSTEM IS NOT RUNNING.
24. PROVIDE BIRD SCREENS AT ALL EXTERIOR MECHANICAL PENETRATIONS.
25. COORDINATE WALL MOUNTED THERMOSTAT LOCATIONS WITH ALL OWNER PARTITIONS. REFER TO ARCHITECTURAL DRAWINGS.
26. FIELD VERIFY ALL DIMENSIONS AND INTERFERENCES PRIOR TO INSTALLATION OR FABRICATION.
27. PROVIDE MIN 1/8 GA GALVANNEED SHEET METAL TO BLANK-OFF GABLE VENTS WHERE INWEDGE/DRAFT DUCTS OCCUR.

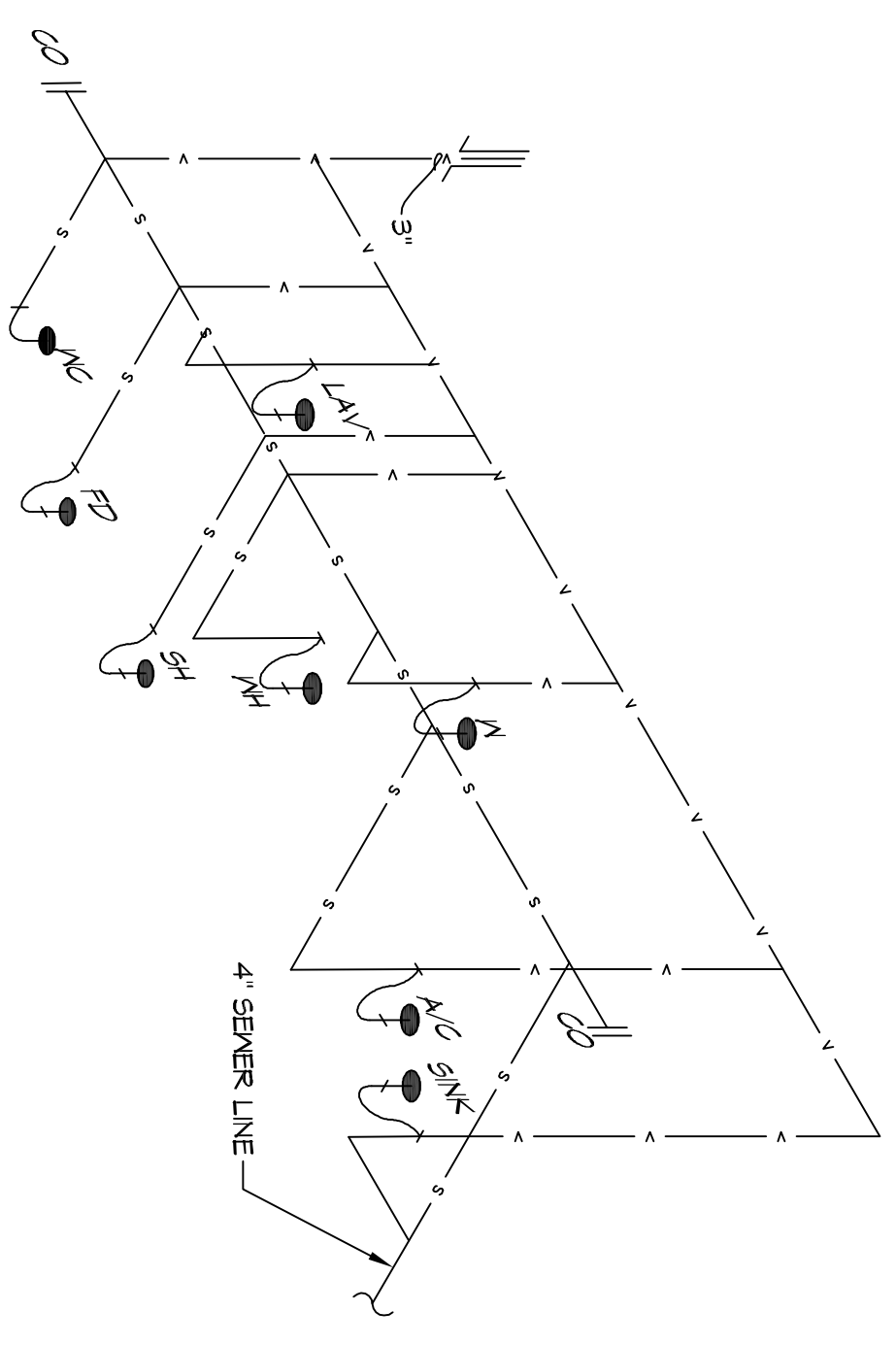
AIR HANDLER				CONDENSER				RIMKICK	
TAG	TRAM MODEL NO.	NOMINAL TONS	TOTAL CAPACITY	TRAM MODEL NO.	TRAM MODEL NO.	TRAM MODEL NO.	TRAM MODEL NO.	TRAM MODEL NO.	TRAM MODEL NO.
146	146	100	100	146	146	146	146	146	146

DASHED SYSTEM SCHEDULE			
Tag	System	Material	Notes
146	146	100	100

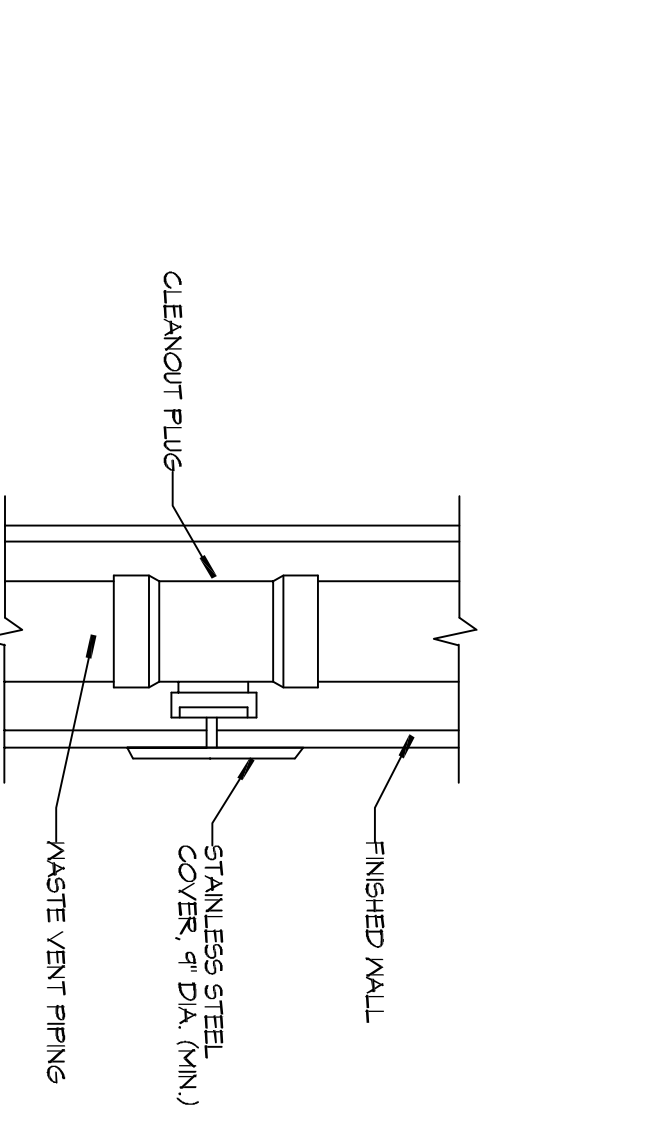


32 INDOOR AHU DETAIL

31 PLUMBING RISER DIAGRAM



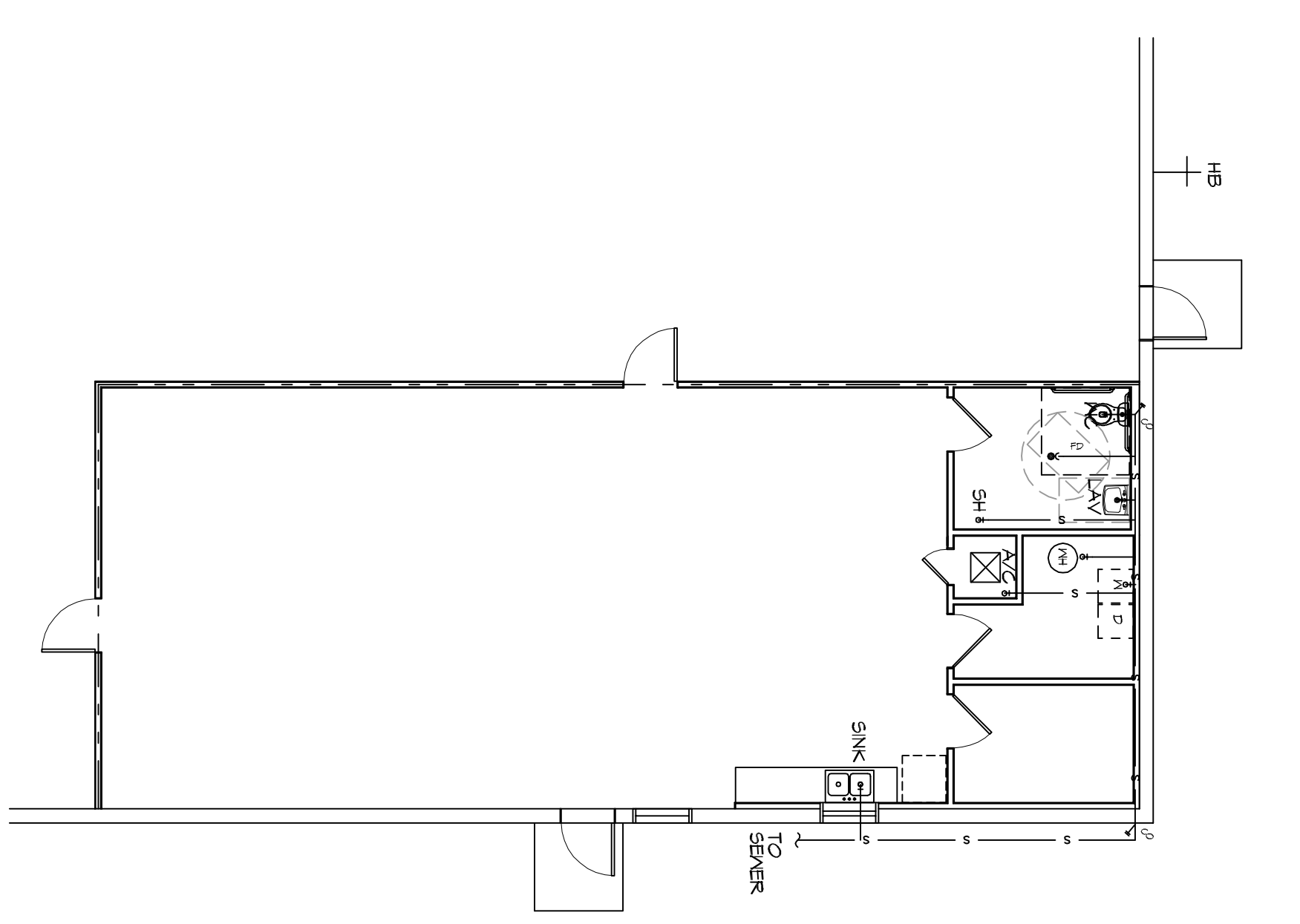
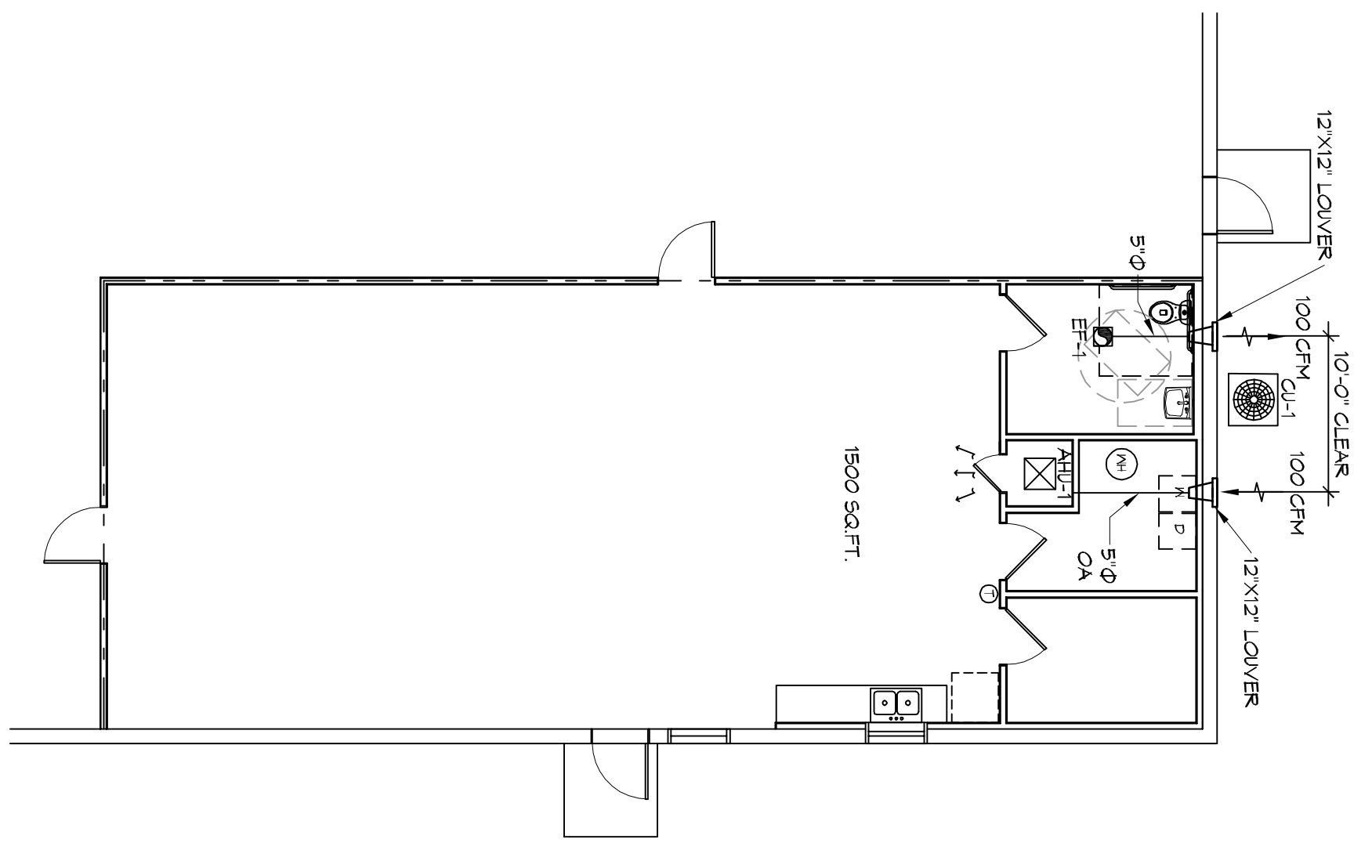
33 TYPICAL DETAILS



M/P 101

LEGEND

SYMBOL	DESCRIPTION
—S—	SANITARY SEWER
—V—	VENT PIPE
—FD—	FLOOR DRAIN
—LC—	LINE CLEAN OUT
—MCO—	MALL CLEAN OUT

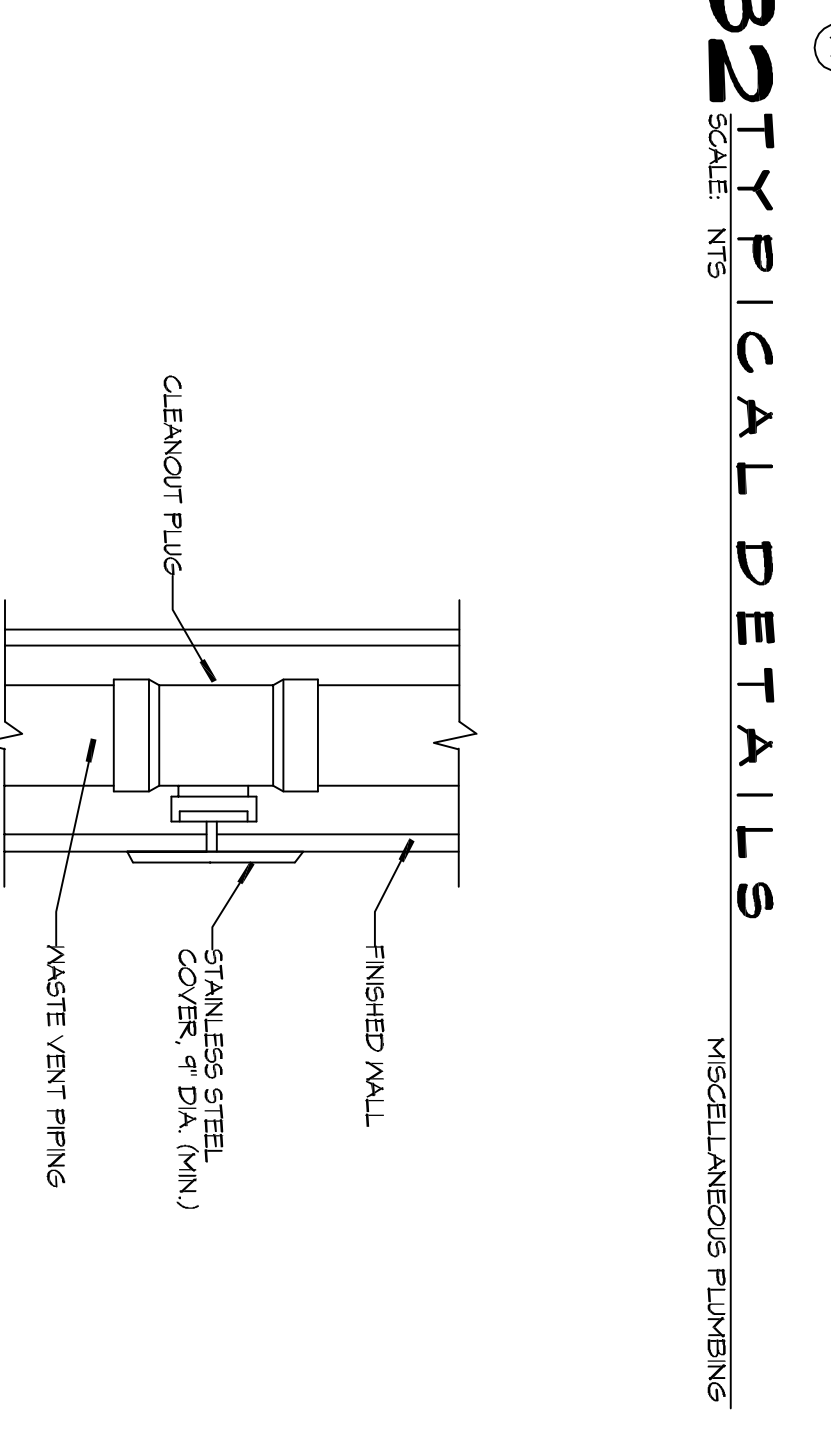
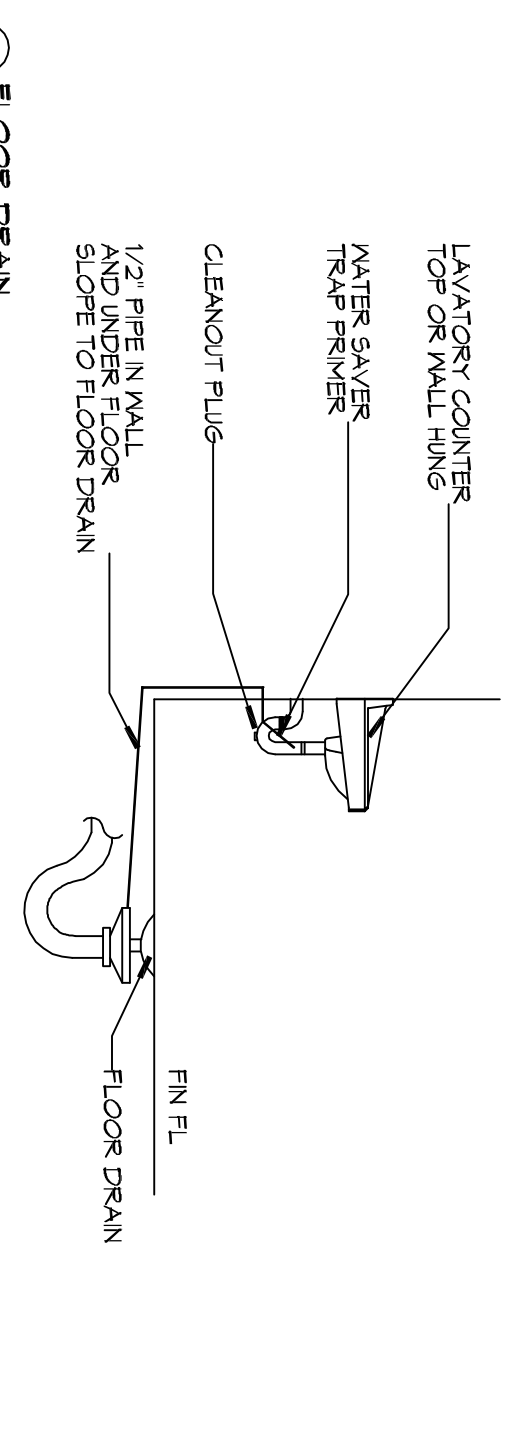


GENERAL PLUMBING NOTES

1. PLUMBING LINES SHOWN ARE DRAIN DIAGRAMMATIC. A WATER AND REPRESENT CONCEPTUAL ROUTING ONLY. CONTRACTOR IS RESPONSIBLE FOR FIELD VERIFICATION OF ALL ACTUAL CONDITIONS.
2. PROVIDE ALL LABOR MATERIAL, TRANSPORTATION, SUPERVISION, CLEANUP, SERVICES, AND EQUIPMENT FOR A COMPLETE OPERATING SYSTEM. THE SYSTEM SHALL INCLUDE HOT AND COLD WATER PIPING, SEWER AND VENT PIPING, INSULATION, WATER HEATER, HANGERS, VALVES, SUPPORTS WITHOUT ANY RESTRICTIONS TO VOLUME, CUT AND PATCH AS REQUIRED TO INSTALL PIPES.
3. ALL WORK AND MATERIAL SHALL CONFORM STRICTLY TO THE LATEST LOCAL CITY, PARISH, STATE AND NATIONAL GOVERNING CODES. MUST MEET LA STATE PLUMBING CODE 2019 REQUIREMENTS.
4. CONTRACTOR IS TO FIELD VERIFY ALL EXISTING UTILITY LOCATIONS, ELEVATIONS AND SIZES PRIOR TO COMMENCING ANY WORK. CONTRACTOR SHALL PAY NECESSARY FEES FOR THE UTILITIES CONNECTIONS.
5. CONTRACTOR IS RESPONSIBLE TO VERIFY THE EXISTING INVERTS AND SET NEW INVERTS OF SEWERAGE AND DRAINAGE PIPES.
6. SEWERAGE LINES 3 INCH AND SMALLER SHALL BE SLOPED 1/4\"/>
7. TEST ALL PIPING AT REQUIRED PRESSURE.
8. ALL PLUMBING SHALL BE CLOSELY COORDINATED WITH STRUCTURAL, MECHANICAL SYSTEM AND ELECTRICAL SYSTEMS TO INSURE NO TRADES WILL CONFLICT WITH EACH OTHER.
9. DO NOT SCALE DRAWINGS. SEE ARCHITECTURAL DRAWINGS FOR EXACT LOCATIONS OF DOORS, WINDOWS, WALLS, FIXTURES, ETC.
10. ALL WATER MAINS AND PIPING NOT SHOWN FOR CLARITY. ALL LOCATIONS FIELD VERIFIED.
11. DOWNSIDE HOT AND COLD WATER PIPING AND FITTINGS UNDER SLAB SHALL BE ASTM B88 COPPER WATER TUBE, TYPE K, SOFT ANNEALED. NO JOINTS SHALL BE ALLOWED UNDER THE SLAB.
12. DOWNSIDE WATER PIPING AND FITTINGS ABOVE THE SLAB SHALL BE ASTM B88 COPPER WATER/TUBE TYPE L, HARD DRAWN WITH COPPER PRESSURE. THE FITTINGS ASH B16.22. THE JOINTS SHALL BE SOLDERED TYPE USING ASTM B32. ALLOT GRADE 15# (85-9) SOLDER.
13. SOL. WASTE VENT PIPING AND FITTINGS ABOVE THE SLAB SHALL BE SERVICE WEIGHT CAST IRON PIPE OR ABS DRY PIPES AND FITTINGS WHERE PERMITTED BY CODE.
14. ALL WATER PIPING AND FITTINGS ABOVE THE FLOOR SHALL BE INSULATED WITH 1/2\"/>
15. ALL ELECTRICAL, MECHANICAL, AND PLUMBING ELEMENTS PENETRATING FIRE PARTITIONS SHALL BE FIRE CALKED. (PENETRATIONS THROUGH RATED CONSTRUCTION SHALL BE SEALED WITH A MATERIAL CAPABLE OF PREVENTING THE PASSAGE OF FLAMES AND HOT GASES WHEN TESTED IN ACCORDANCE WITH ASTM-E814.)
16. SEE ROOF PLAN FOR PLUMBING ROOF PENETRATIONS. ROUTE VENT PIPES IN ATTIC AS NECESSARY.
17. ALL VENTS THROUGH ROOF (VTR) SHALL BE LOCATED A MINIMUM OF 10'-0\"/>

PLUMBING FIXTURE SCHEDULE

ITEM	DESCRIPTION OR WATER	SIZE	COLD WATER	HOT WATER	NOTES
WC	WATER CLOSET	4"	3"	1"	FLUSH VALVE MATCH EXISTING
LAV	LAVATORY	1-1/2"	2"	1/2"	MATCH EXISTING
US	UTILITY SINK	3"	2"	1/2"	FIXTURE RISE 24\"/>
FD	FLOOR DRAIN	3"	2"	—	COATED CAST IRON WITH ADJUSTABLE NICKEL BRONZE GRADE R. SMOOTH 2010-B-2
FOO	FLOOR CLEAN OUT	—	—	—	MADE 1/4\"/>
MCO	MALL CLEAN OUT	—	—	—	MADE 1/4\"/>



NEW OFFICE WAREHOUSE

M - I - S - C - H - A - R - T - N

217 GENERAL PATTON
MANDEVILLE, LA

JOB No: 2409 DATE: 02-12-2020

DRAWN BY: RLD CHECKED BY: BAM

REVISIONS

#	DESCRIPTION	DATE

Chief Engineer: Brian Mistich, PE
554 Old Spanish Trail
Slidell, LA 70458

www.dammonengineering.com
info@dammonengineering.com
PH: 985.649.5832