

SITE PAVING PLAN
SCALE: 1"=20'-0"

DRIVEWAY SECTION (DS)
N.T.S.

TEMP. ENTRANCE DETAIL
N.T.S.

EXPANSION JOINT DETAIL
N.T.S.

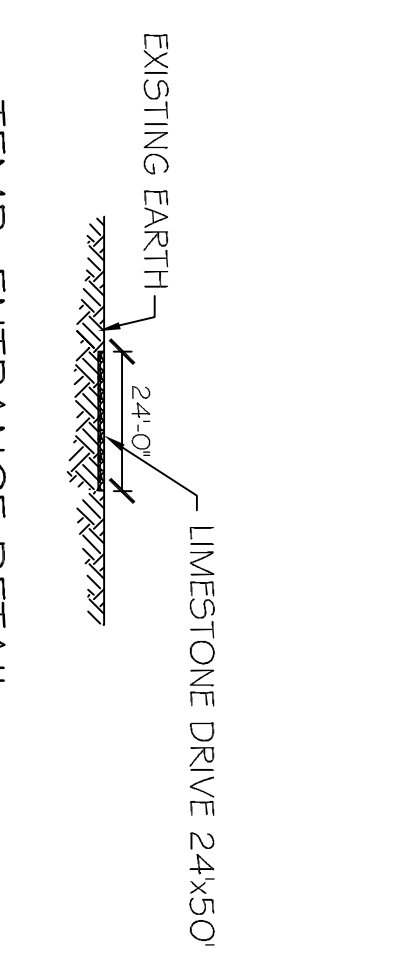
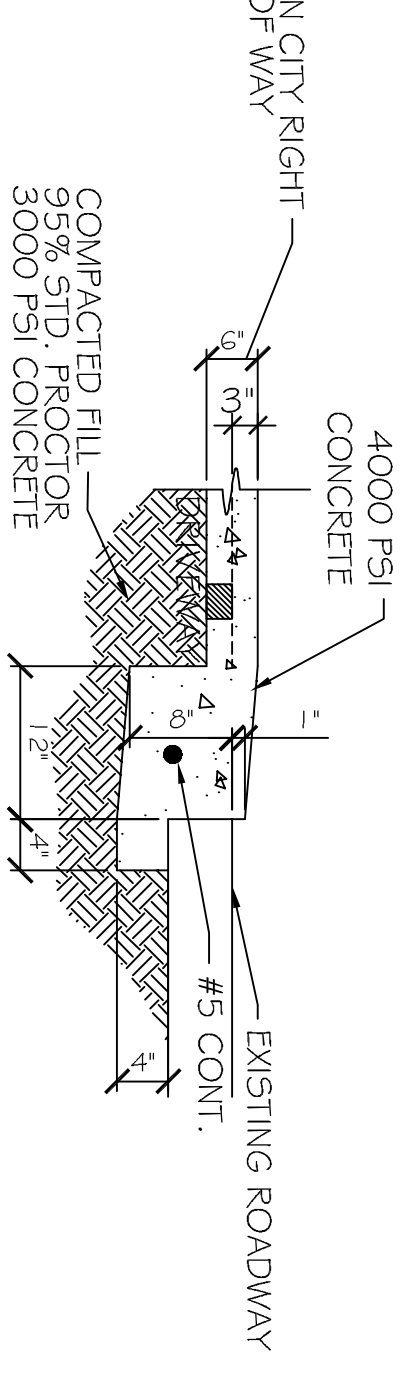
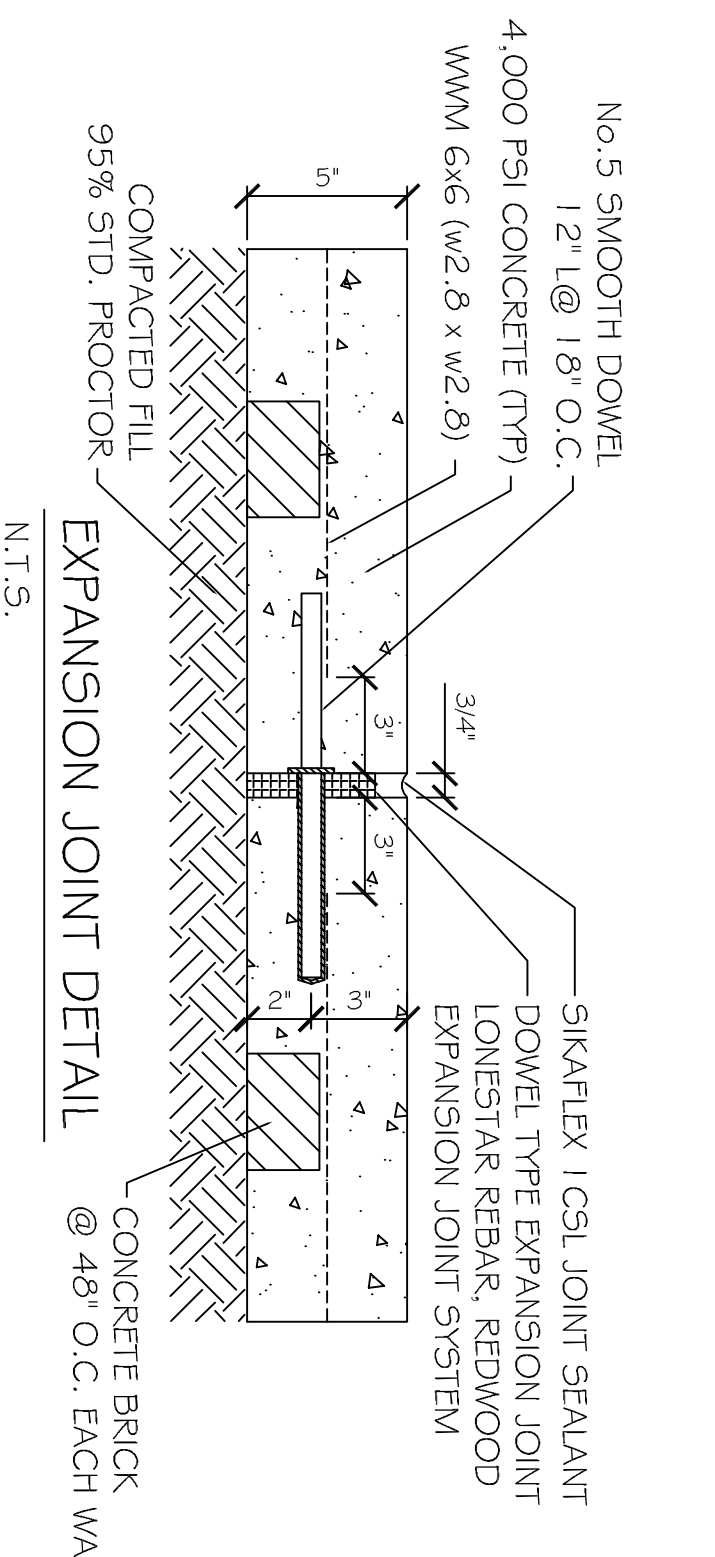
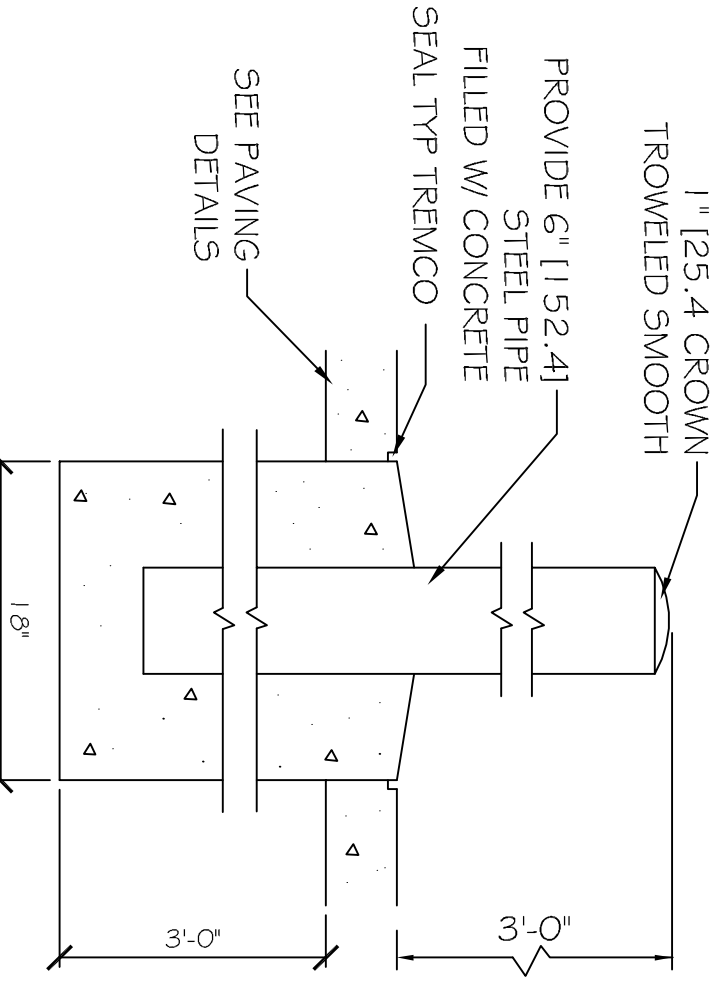
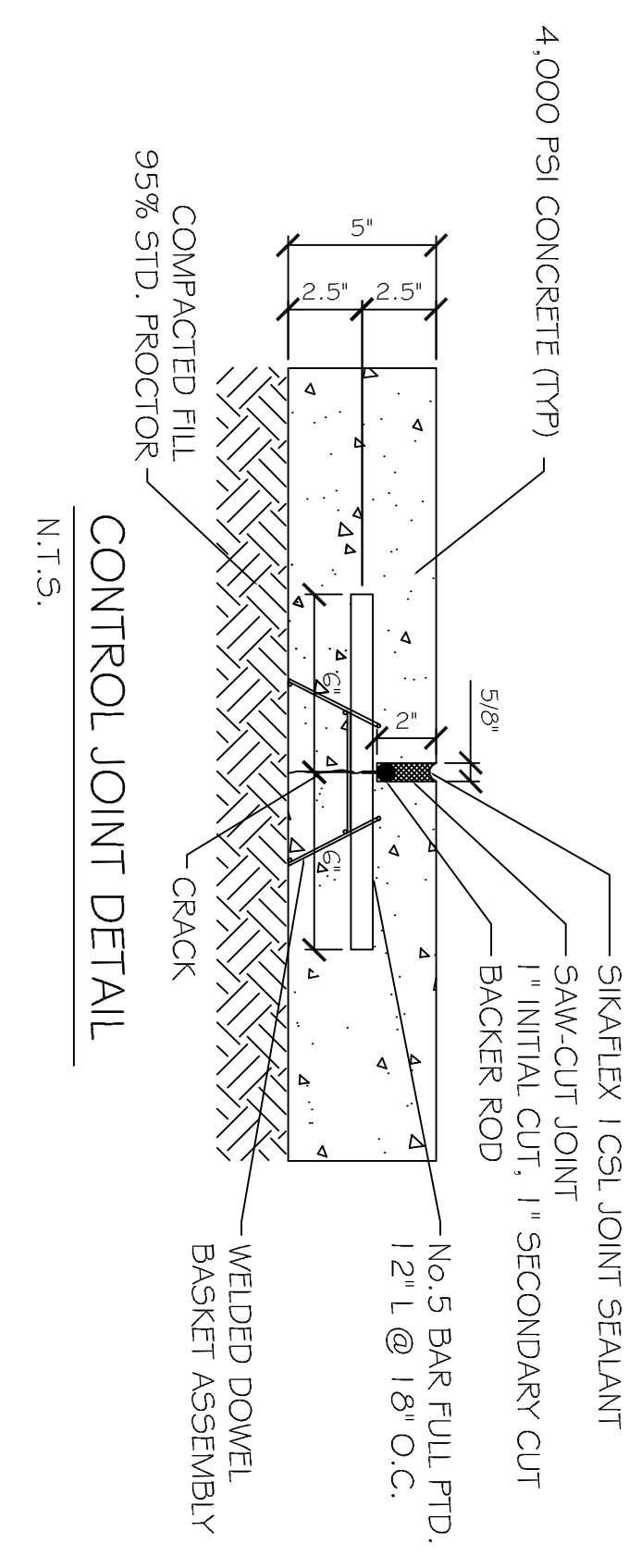
PIPE BOLLARD DETAIL
N.T.S.

TYPICAL ENTRANCE DETAIL
N.T.S.

- PAVING NOTES:**
- 1) ALL NEW CONCRETE SHALL HAVE A MINIMUM COMPRESSIVE STRENGTH OF 4,000 PSI AT 28 DAYS AND A MINIMUM THICKNESS OF 5". CONCRETE MIX SHALL BE IN ACCORDANCE WITH THE LATEST REVISION OF ASTM C-150 THE 1.
 - 2) ALL REINFORCING STEEL SHALL MEET ASTM-A615 (GRADE 60).
 - 3) ALL REINFORCING STEEL SHALL BE SECURELY SUPPORTED TO PREVENT BOTH VERTICAL AND HORIZONTAL MOVEMENT DURING CONCRETE PLACEMENT. ALL CONTROL AND EXPANSION JOINTS SHALL BE LOCATED AND INSTALLED AS SHOWN ON THE PAVING PLAN AND IN ACCORDANCE WITH THE MANUFACTURER'S RECOMMENDATIONS.
 - 4) ALL SUB GRADE FILL SHALL BE SELECT GRANULAR MATERIAL COMPACTED TO 95% STANDARD PROCTOR DENSITY IN A MAXIMUM OF 6" LIFTS.
 - 5) CONTRACTOR SHALL CONTACT THEIR REGULATORY DEPARTMENT OF ENGINEERING PRIOR TO CONDUCTING ANY WORK.
 - 6) ANY WORK WITHIN THE ROADWAY OR ADJACENT TO THE ROADWAY CAUSING AN INTERFERENCE TO VEHICULAR TRAFFIC REQUIRES PRIOR APPROVAL FROM THE CITY TRAFFIC ENGINEERING DIVISION, AND MUST CONFORM TO THE REQUIREMENTS SET FORTH BY THE UNIFORM MANUAL OF TRAFFIC CONTROL DEVICES OF THE STATE OF LOUISIANA. THE CONTRACTOR MUST FURNISH ALL NECESSARY TRAFFIC SIGNS AND/OR BARRICADES AND MAINTAIN THEM DURING CONSTRUCTION ACTIVITY.

PAVING LEGEND

- PROPERTY LINE
- SETBACK LINE
- 6" OPAQUE FENCE
- CONTROL JT.
- EXPANSION JT.
- TEMPORARY SILT FENCING
- T.O. GRADE ELEVATION
- INVERT ELEVATION
- NEW ELEVATIONS
- EXISTING ELEVATIONS
- NEW DROP INLET W/TEMP. SILT FENCING



REVISIONS		DATE
#	DESCRIPTION	

BULK SYSTEM'S NEW OFFICE/WAREHOUSE BUILDING
1226 FREMEXIN AVENUE
SLIDELL, LOUISIANA 70455

JOB NO: 2173 DATE: 04-22-2013
DRAWN BY: JTL CHECKED BY:

DAMMON ENGINEERING, INC.
Architects & Engineers

CHIEF ENGINEER, EMMETT DAMMON, P.E.
CHIEF ARCHITECT, KEVIN KINCHEN
554 OLD SPANISH TRAIL
SLIDELL, LA 70456

dammonengne@msn.com
dammoneng@bellsouth.net
PHONE: 985-649-5832
FAX: 985-641-5950