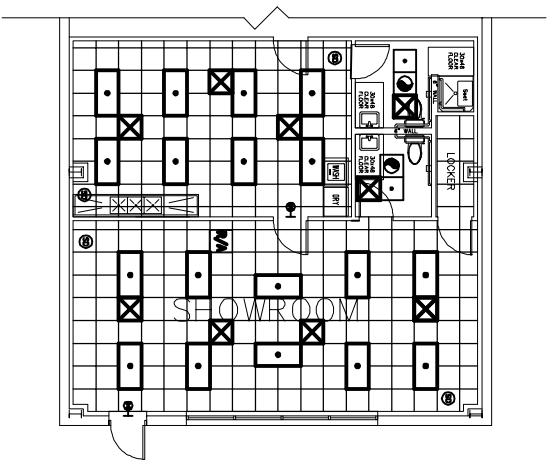
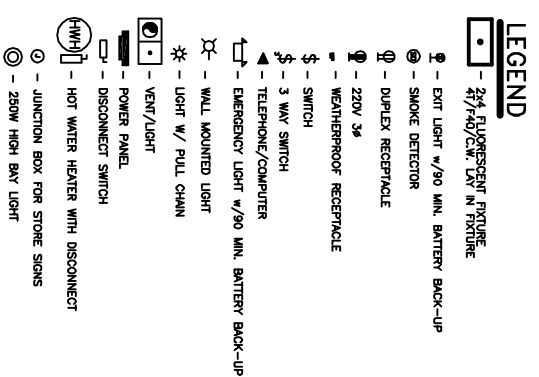
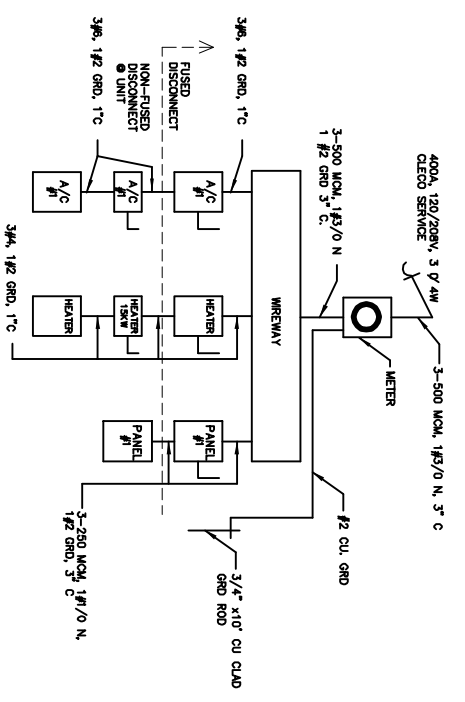


ELECTRICAL PLAN
SCALE: 1/8"=1'-0"



PARTIAL REFLECTIVE CEILING PLAN
SCALE: 1/8"=1'-0"



ELECTRICAL RISER DIAGRAM
N.T.S.

- ELECTRICAL NOTES**
1. ALL WORK SHALL CONFORM TO THE LATEST EDITION OF THE NATIONAL ELECTRICAL CODE, THE GOVERNING ELECTRICAL CODE, AND ALL OTHER INSPECTION DEPARTMENTS HAVING JURISDICTION. OBTAIN CERTIFICATES OR APPROVAL WHERE REQUIRED.
 2. ALL MATERIALS FURNISHED SHALL BE NEW AND SHALL BE U.L. LISTED.
 3. THE DRAWINGS INDICATE SIZE AND GENERAL LOCATION OF WORK. SCALE DIMENSIONS SHALL NOT BE USED. THE EXACT LOCATION AND ELEVATION OF ALL LIGHTING FIXTURES, RECEPTACLES AND TELEPHONE OUTLETS, ETC. SHALL BE DETERMINED BY ACTUAL CONDITIONS IN THE FIELD, UNLESS NOTED OTHERWISE.
 4. PRIOR TO BIDDING, CONTRACTOR SHALL VISIT THE JOB SITE AND FAMILIARIZE THEMSELVES WITH THE EXISTING CONDITIONS.
 5. ELECTRICAL CONTRACTOR SHALL COORDINATE HIS WORK WITH OTHER TRADES AND WITH OTHER CONTRACTORS WHOSE WORK MAY AFFECT THIS INSTALLATION.
 6. ELECTRICAL CONTRACTOR SHALL COORDINATE INCOMING ELECTRICAL SERVICE WITH UTILITY COMPANY AND INCLUDE IN HIS BID ALL CHARGES AND FEES INCURRED IN MODIFICATIONS.
 7. WHERE MORE THAN ONE SWITCH OCCURS IN THE SAME LOCATION, THEY SHALL BE INSTALLED IN A GANG TYPE BOX UNDER ONE COVER PLATE.
 8. ELECTRICAL CONTRACTOR SHALL COORDINATE THE TELEPHONE INSTALLATION WITH THE TELEPHONE COMPANY AND THE GENERAL CONTRACTOR.
 9. ELECTRICAL CONTRACTOR, BEFORE INSTALLING ANY OF THE WORK, SHALL SEE THAT IT DOES NOT INTERFERE WITH CLEARANCES REQUIRED FOR FINISHED COLUMNS, HUNG CEILINGS, PLASTER, PARTITIONS, WALLS, ETC. AS SHOWN IN THE ARCHITECTURAL DRAWINGS AND DETAILS. IF ANY WORK IS INSTALLED AND IT LATER DEVELOPS THAT SUCH DETAILS OR DESIGN CANNOT BE FOLLOWED, THE CONTRACTOR, AT HIS OWN EXPENSE, SHALL MAKE SUCH CHANGES IN THE WORK AS DIRECTED BY THE ARCHITECT AS WELL AS TO PERMIT THE INSTALLATION OF THE ARCHITECTURAL WORK AS SHOWN ON THE PLANS AND DETAILS.
 10. PERFORM TEST REQUIRED BY THE OWNER OR THE ENGINEER IN CONNECTION WITH THE OPERATION OF THE ELECTRICAL SYSTEM IN THE BUILDING.

11. ALL TESTS SHALL BE MADE IN ACCORDANCE WITH THE LATEST STANDARD OF THE IEEE AND THE NATIONAL ELECTRICAL CODE.
12. MINIMUM CONDUCTOR SIZE SHALL BE #12, 600V INSULATION, MINIMUM SIZE CONDUIT SHALL BE 3/4" EMT FOR INTERIOR USE, AND 3/4" RIGID ALUMINUM FOR EXTERIOR USE. USE TYPE NMC CABLE COPPER, FOR LIGHTS & RECEPTACLE CIRCUITS.
13. EXTERIOR FITTINGS SHALL BE CAST BOXES AND COVERS. INTERIOR FITTINGS SHALL BE CAST WHERE EXPOSED ON WALLS. STAMPED BOXES MAY BE USED ABOVE CEILINGS IN AIR CONDITIONED SPACES.
14. CONTRACTOR SHALL INSTALL WIRING AND OTHER CIRCUIT COMPONENTS TO MATCH EQUIPMENT ACTUALLY INSTALLED.
15. INSTALL GROUND FAULT RECEPTACLES AT RECEPTACLE LOCATIONS WITHIN 5' OF SINKS OR LAVATORIES, AND AT EXTERIOR LOCATIONS. EXTERIOR RECEPTACLES SHALL ALSO BE WEATHERPROOF.
16. BONDING AND GROUNDING SHALL BE IN ACCORDANCE WITH NFPA 70:230-63, NFPA 250-23, 250-71, & 250-72.
17. GROUND NEUTRAL IN ACCORDANCE WITH NFPA 70:250-23b.
18. FUSES SHALL BE ITT CLASS KS, 250 VOLT, 200,000 AMP INTERRUPTING CAP.
19. PROVIDE SERVICES OF A FIRE/SMOKE DETECTION & ALARM COMPANY TO DESIGN & INSTALL ALARM SYSTEM TO MEET REQUIREMENTS OF THE STATE FIRE MARSHALL.
20. EXTERIOR LIGHTING SHALL BE SHADED OR INWARDLY DIRECTED IN SUCH A MANNER SO THAT NO DIRECT LIGHTING OR GLARE IS CAST BEYOND THE PROPERTY LINE. THE INTENSITY OF SUCH LIGHTING SHALL NOT EXCEED ONE FOOT CANDLE AS MEASURED AT THE ABUTTING PROPERTY LINE.
21. ALL ELECTRICAL, MECHANICAL, & PLUMBING PENETRATING FIRE PARTITIONS SHALL BE FIRE CALKED. (PENETRATIONS THROUGH RATED CONSTRUCTION SHALL BE SEALED WITH A MATERIAL CAPABLE OF PREVENTING THE PASSAGE OF FLAMES AND HOT GASES WHEN TESTED IN ACCORDANCE WITH ASTM-E814.)

NO.	LOAD DESCRIPTION	BREAKER AMP	POLE	LOAD (VA)	TOTAL CONNECTED LOAD (VA)			BREAKER AMP	LOAD DESCRIPTION	NO.
					A	B	C			
1	SHOWROOM LIGHTS	20	1					20	SHOWROOM LIGHTS	2
3	CLEANING ROOM LIGHTS	20	1					20	CLEANING ROOM LIGHTS	4
5	BATHROOM LIGHTS	20	1					20	BATHROOM LIGHTS	6
7	WAREHOUSE LIGHTS	20	1					20	WAREHOUSE LIGHTS	8
9	WAREHOUSE LIGHTS	20	1					20	WAREHOUSE LIGHTS	10
11	EXTERIOR BLDG. LIGHTS	20	1					20	SIGN OUTLET	12
13	WATER HEATER	20	1					20	WATER HEATER	14
15	EMERGENCY LIGHTS	20	1					20	EMERGENCY LIGHTS	16
17	ALARM SYSTEM	20	1					20	ALARM SYSTEM	18
19	EXIT SIGNS	20	1					20	EXIT SIGNS	20
21	SMOKE DETECTORS	20	1					20	SMOKE DETECTORS	22
23	SPACE	20	1					20	SPACE	24
25	SPACE	20	1					20	SPACE	26
26	SPACE	20	1					20	SPACE	28
27	SPACE	20	1					20	SPACE	30
29	SPACE	20	1					20	SPACE	32
31	SPACE	20	1					20	SPACE	34
33	SPACE	20	1					20	SPACE	36
35	SPACE	20	1					20	SPACE	38
37	SPACE	20	1					20	SPACE	40
39	SPACE	20	1					20	SPACE	42
41	SPACE	20	1					20	SPACE	44

FEAST CATERING/ WAREHOUSE

DAMMON ENGINEERING, INC.
1095 FLORIDA AVENUE 985-649-5832 SLIDELL, LA. 70468
DAMMONENGINEERING.COM

ELECTRICAL PLAN

FEAST CATERING
TAOS STREET
SLIDELL, LOUISIANA