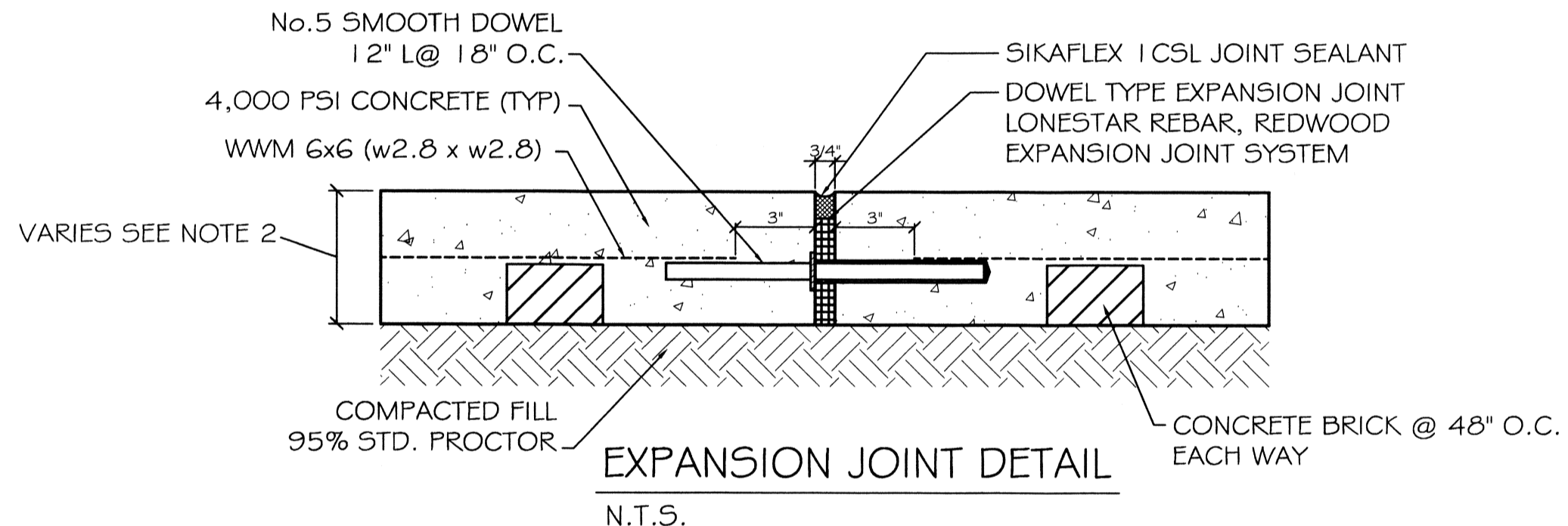
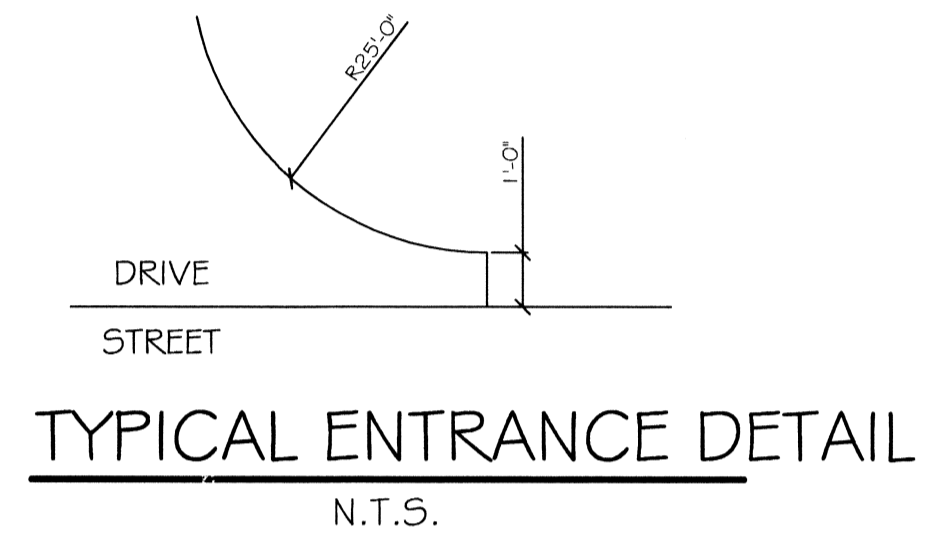
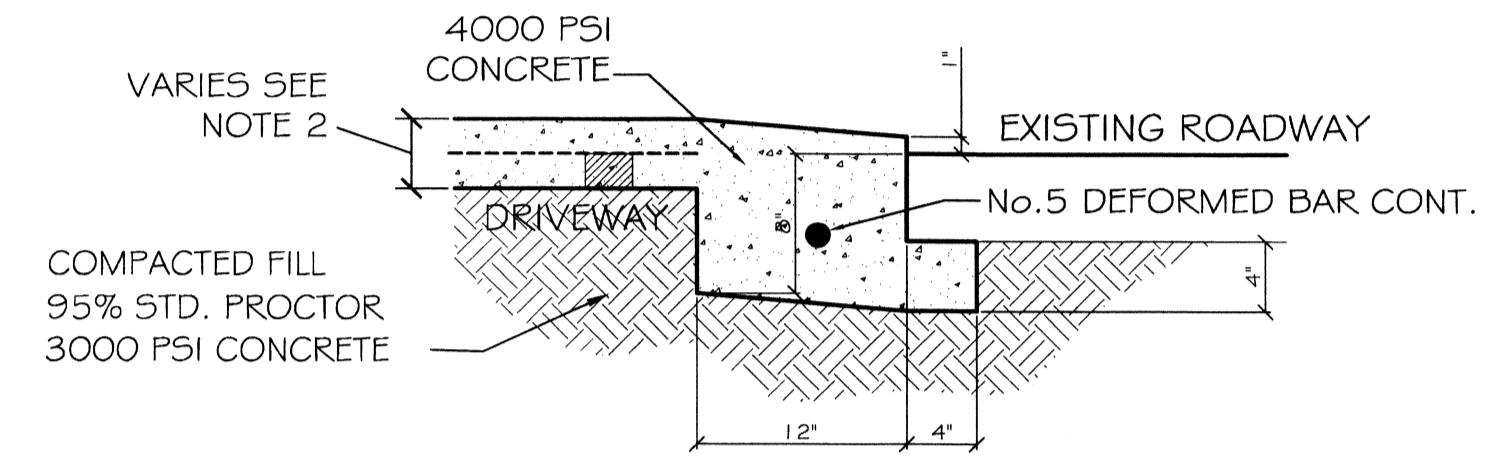
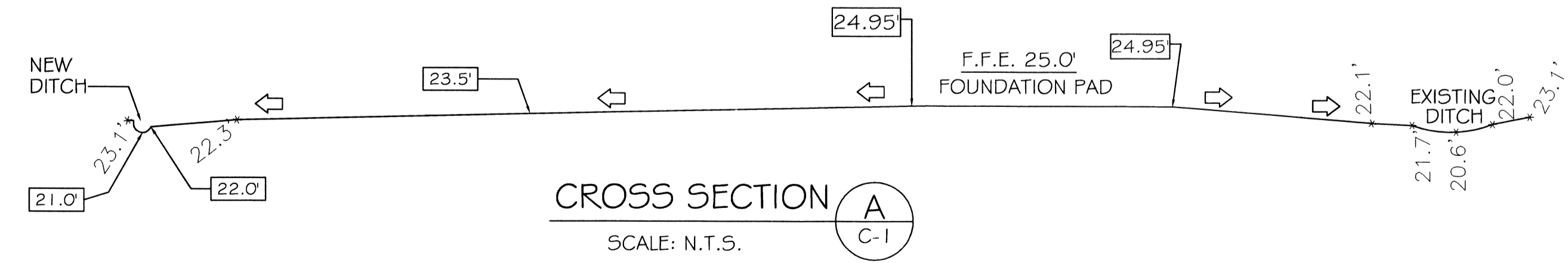
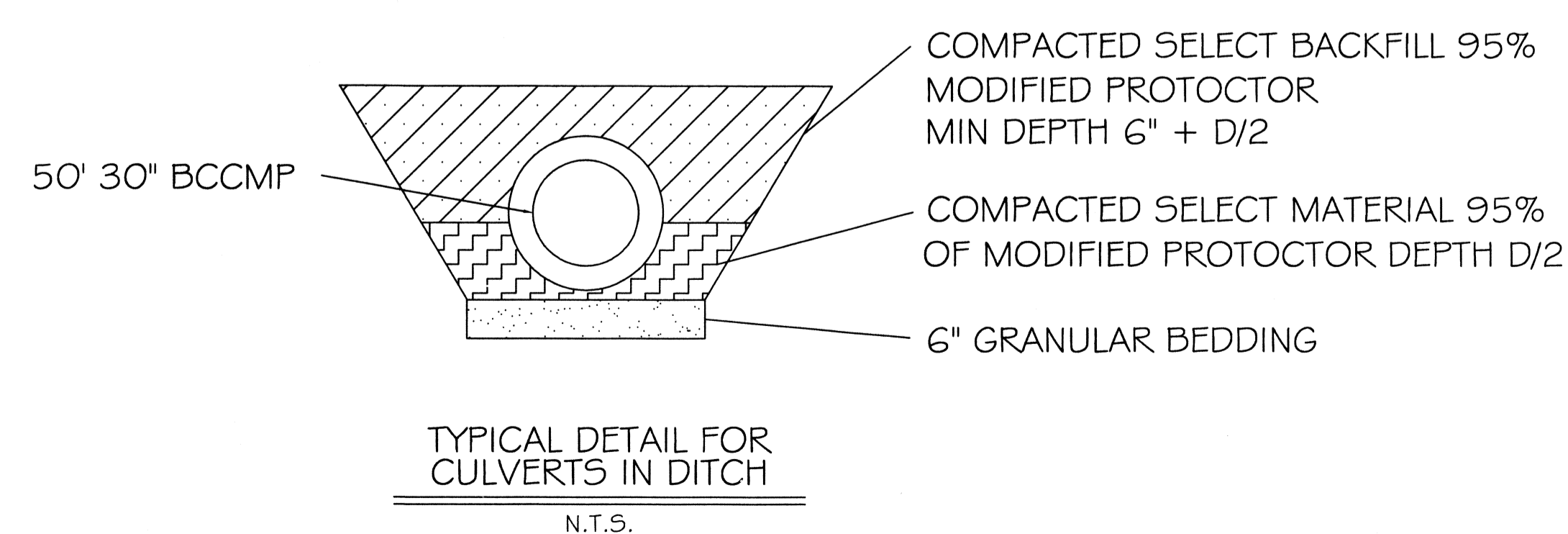
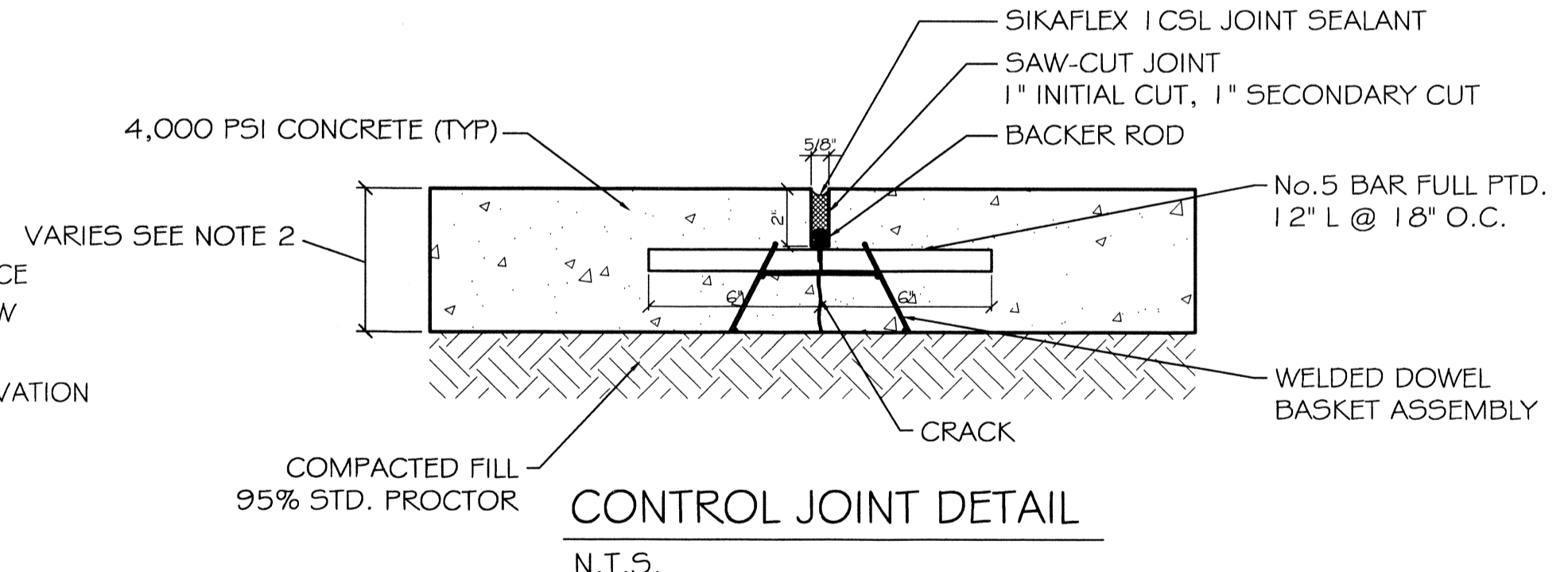


PAVING NOTES:

- 1) ALL NEW CONCRETE SHALL HAVE A MINIMUM COMPRESSIVE STRENGTH OF 4,000 PSI AT 28 DAYS AND A MINIMUM THICKNESS OF 6". CONCRETE MIX SHALL BE IN ACCORDANCE WITH THE LATEST REVISION OF ASTM C-150 TYPE 1.
- 2) CONCRETE PAVING THICKNESS SHALL VARY AS FOLLOWS:
 - a) APRONS = 7" THICKNESS
 - b) PARKING AREAS = 6" THICKNESS
- 3) ALL REINFORCING STEEL SHALL MEET ASTM-A615 (GRADE 60).
- 4) ALL REINFORCING STEEL SHALL BE SECURELY SUPPORTED TO PREVENT BOTH VERTICAL AND HORIZONTAL MOVEMENT DURING CONCRETE PLACEMENT. ALL CONTROL AND EXPANSION JOINTS SHALL BE LOCATED AND INSTALLED AS SHOWN ON THE PAVING PLAN AND IN ACCORDANCE WITH THE MANUFACTURER'S RECOMMENDATIONS.
- 5) ALL SUB GRADE FILL SHALL BE SELECT GRANULAR MATERIAL COMPACTED TO 95% STANDARD PROCTOR DENSITY IN A MAXIMUM OF 6" LIFTS.
- 6) CONTRACTOR SHALL CONTACT THEIR REGULATORY DEPARTMENT OF ENGINEERING PRIOR TO CONDUCTING ANY WORK.
- 7) ANY WORK WITHIN THE ROADWAY OR ADJACENT TO THE ROADWAY CAUSING AN INTERFERENCE TO VEHICULAR TRAFFIC REQUIRES PRIOR APPROVAL FROM THE CITY TRAFFIC ENGINEERING DIVISION, AND MUST CONFORM TO THE REQUIREMENTS SET FORTH BY THE UNIFORM MANUAL OF TRAFFIC CONTROL DEVICES OF THE STATE OF LOUISIANA. THE CONTRACTOR MUST FURNISH ALL NECESSARY TRAFFIC SIGNS AND/OR BARRICADES AND MAINTAIN THEM DURING CONSTRUCTION ACTIVITY.



- LEGEND**
- - - - - PROPERTY LINE
 - - - - - SETBACK LINE
 - - - - - EXPANSION JT.
 - - - - - CONTROL JT.
 - - - - - WATER LINE
 - - - - - 8" HIGH WOOD FENCE
 - SHEET FLOW ARROW
 - ② 0.00 - INVERT ELEVATION
 - # 0.00 - TOP OF GRADE ELEVATION
 - 00.00 - NEW ELEVATION
 - ⊕ - 3/4" WATER METER



DAMMON ENGINEERING, INC.
Architects & Engineers

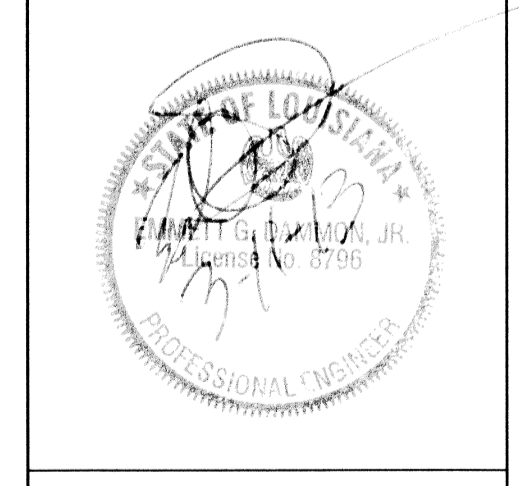
dammonengineering.com
dammoneng@earthlink.net
554 OLD SPANISH TRAIL
SAFEL, LA 70058
PHONE: 985-641-5930
FAX: 985-641-5930

CHIEF ENGINEER: EMMETT DAMMON, P.E.
CHIEF ARCHITECT: KEVIN KIRCHEN
554 OLD SPANISH TRAIL
SAFEL, LA 70058

LANDIS TRANSPORT LLC OFFICE/WAREHOUSE BUILDING
LOT 21 #400 LEEWARD LOOP
STAMMANN PARISH, LOUISIANA

JOB No: 2164 DATE: 01-30-2013
DRAWN BY: JCT CHECKED BY: CD

#	DESCRIPTION	DATE



SITE & UTILITY PLAN

SHEET No: 3 OF 9

C2