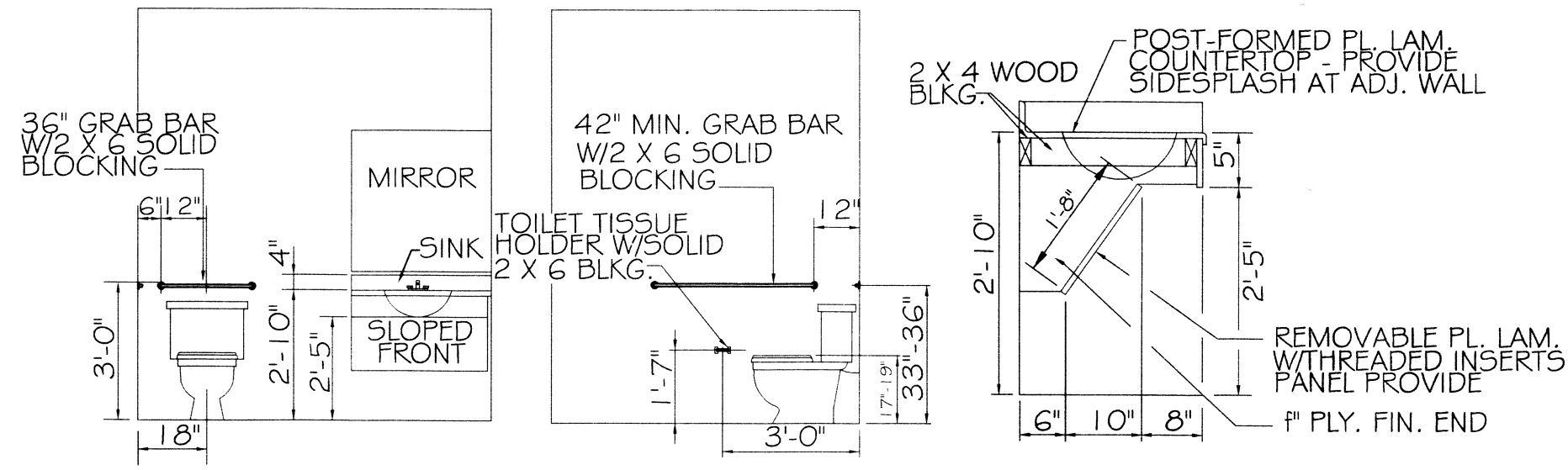


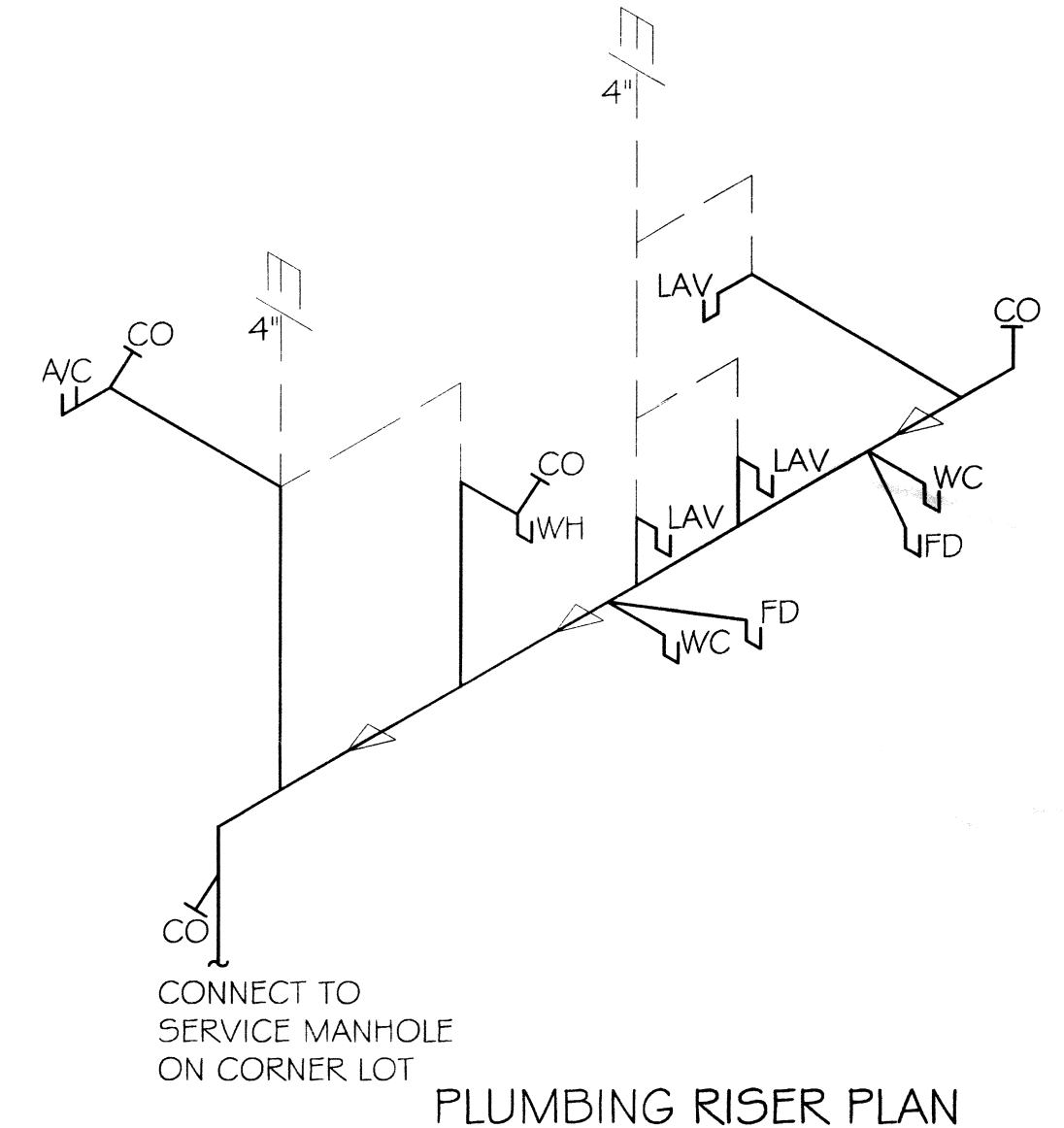
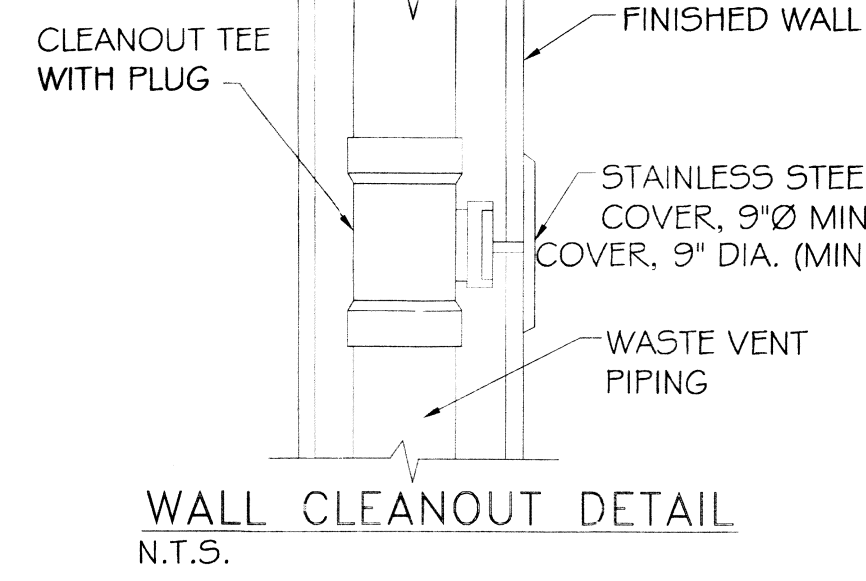
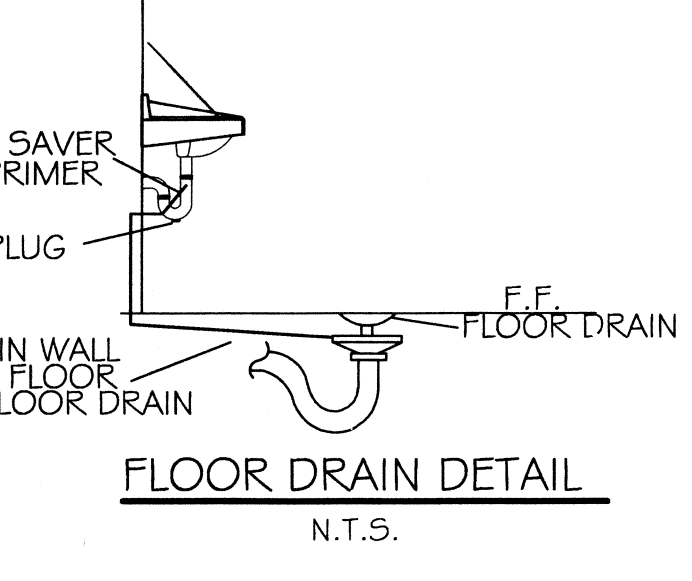
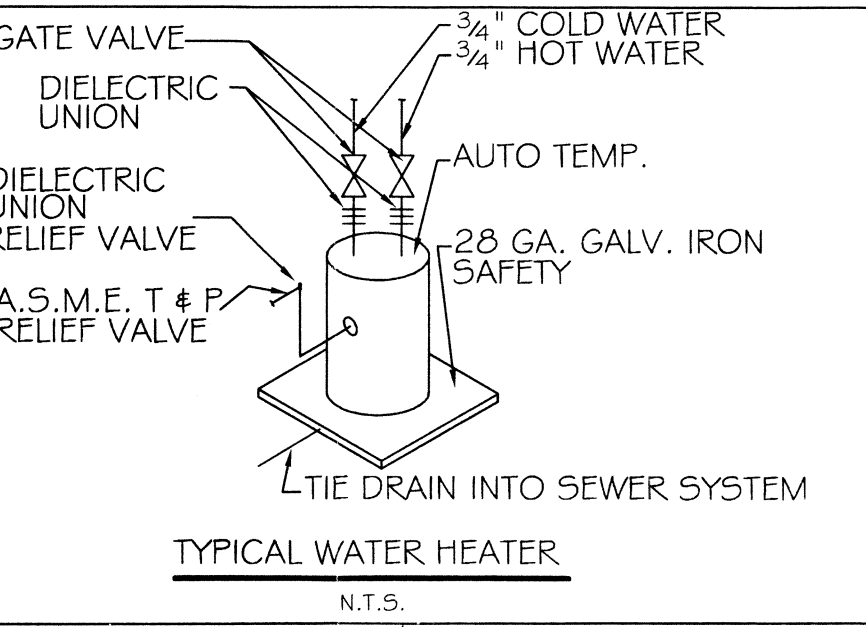
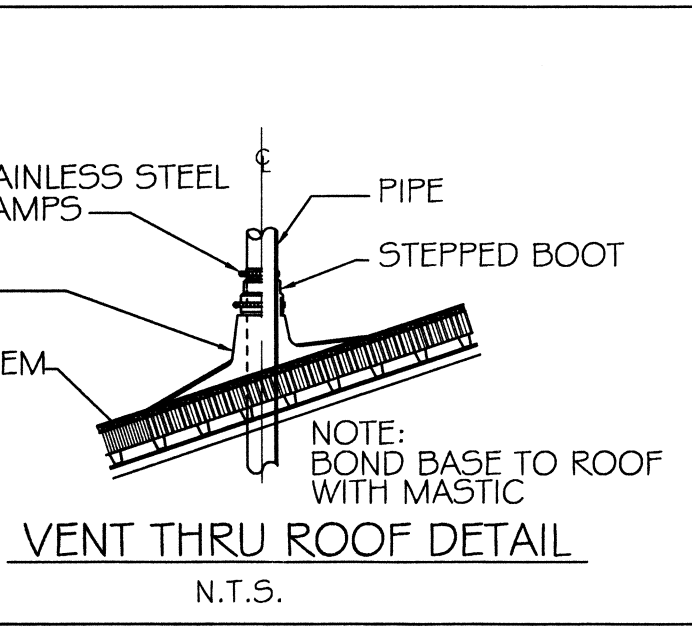
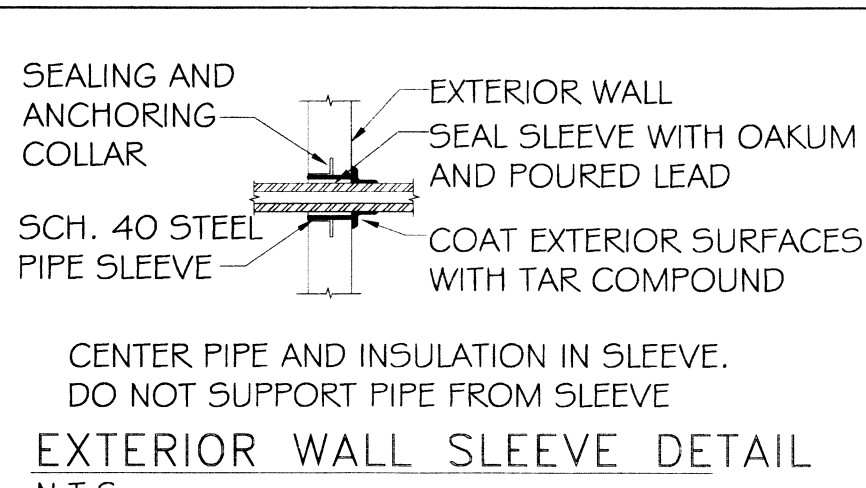
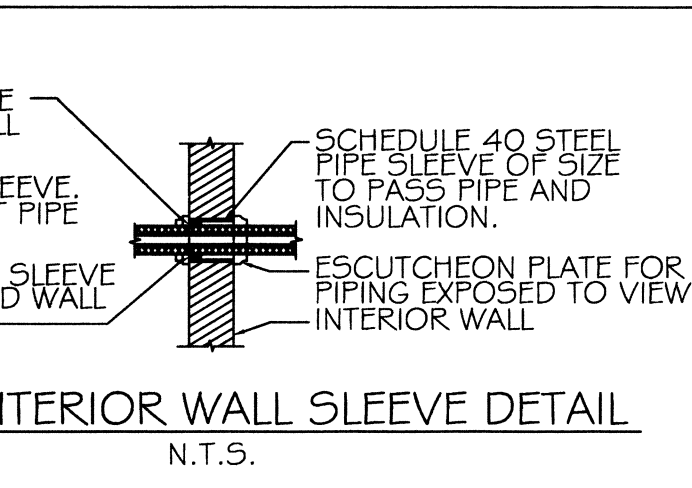
PLUMBING FIXTURE SCHEDULE					
DESCRIPTION	TYPE	ROUGH-IN SIZES			NOTES
		WASTE	VENT	CW	HW
H.C. WATER CLOSET	VALVE	4"	4"	4"	2, 3, 5
H.C. LAVATORY	WALL HUNG	2"	2"	1/2"	1, 2, 3
FLOOR DRAIN	-	2"	2"	-	4, 5
WATER HEATER DRAIN	-	-	2"	3/4"	5
AHU DRAIN	-	-	-	-	5

FOR HANDICAP FIXTURES.
 CARRIER FOR WALL HUNG FIXTURES.
 AP FIXTURE
 INUOUS DRIP VALVE ON ALL FLOOR DRAINS.
 CTED BY OWNER.



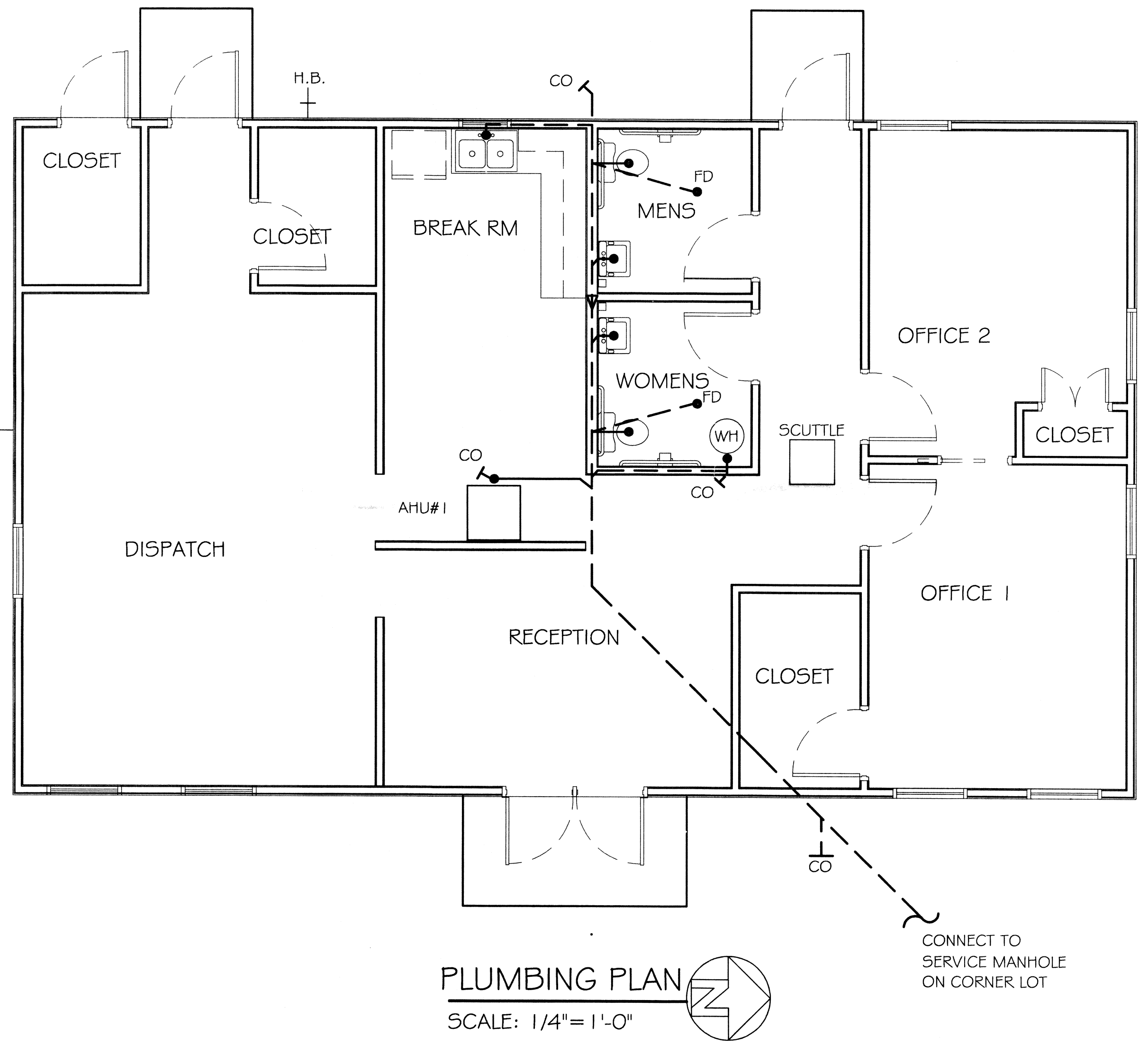
LAVATORY & WATER CLOSET CLEARANCES

N.T.S.



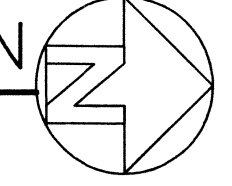
PLUMBING RISER PLAN

N.T.S.



PLUMBING PLAN

SCALE: 1/4" = 1'-0"



CONNECT TO SERVICE MANHOLE ON CORNER LOT

PLUMBING NOTES

ALL LABOR, MATERIAL AND EQUIPMENT FOR A COMPLETE OPERATING SYSTEM. THE SYSTEM SHALL INCLUDE HOT AND COLD WATER PIPING, SEWER AND VENT PIPING, INSULATION, WATER HEATER, HANGERS, SUPPORTS WITHOUT ANY RESTRICTIONS TO COLUMN. CUT AND PATCH AS REQUIRED TO INSTALL.

ALL LABOR AND MATERIAL SHALL CONFORM STRICTLY TO THE LATEST LOCAL, CITY, PARISH, STATE AND FEDERAL GOVERNING CODES.

CONTRACTOR IS TO FIELD VERIFY ALL EXISTING UTILITY LOCATIONS, ELEVATIONS AND SIZES PRIOR TO BEGINNING ANY WORK. CONTRACTOR SHALL PAY NECESSARY FEES FOR THE UTILITIES CONNECTIONS. CONTRACTOR IS RESPONSIBLE TO VERIFY THE EXISTING INVERTS AND SET NEW INVERTS OF SEWERAGE AND WATER PIPES.

ALL PIPING LINES 3-INCH AND SMALLER SHALL BE SLOPED 1/4" PER FOOT AND LINE 4-INCH AND LARGER SHALL BE SLOPED 1/8" PER FOOT.

ALL PIPING AT REQUIRED PRESSURE.

ALL PIPING SHALL BE CLOSELY COORDINATED WITH STRUCTURAL SYSTEM, MECHANICAL SYSTEM AND ELECTRICAL SYSTEM TO INSURE NO TRADES WILL CONFLICT WITH EACH OTHER.

REFER TO ARCHITECTURAL DRAWINGS FOR EXACT LOCATIONS OF DOORS, WINDOWS, PARTITIONS, ETC.

ALL MAINS AND PIPING NOT SHOWN FOR CLARITY, ALL LOCATIONS FIELD VERIFIED.

ALL HOT AND COLD WATER PIPING AND FITTINGS UNDER SLAB SHALL BE ASTM B88 COPPER WATER TUBE, TYPE K SOFT ANNEALED. NO JOINTS SHALL BE ALLOWED UNDER THE SLAB.

ALL WATER PIPING AND FITTINGS ABOVE THE SLAB SHALL BE ASTM B88 COPPER WATER TUBE, TYPE L. JOINTS SHALL BE SOLDERED WITH COPPER PRESSURE TIGHT FITTINGS, ANSI B16.22. THE JOINTS SHALL BE SOLDERED WITH AN ANNEALED COPPER SOLDER, ASTM B32, ALLOY GRADE 95A (95-5) SOLDER.

ALL VENT PIPING AND FITTINGS ABOVE THE SLAB SHALL BE SERVICE WEIGHT CAST IRON PIPE WITH SPIGOT ENDS AND ONE PIECE NEOPRENE INSERT TYPE GASKET. USE PVC SCHEDULE 40 OR ABS PIPE AND FITTINGS WHERE PERMITTED BY CODE.

ALL PIPING AND FITTINGS ABOVE THE FLOOR SHALL BE INSULATED WITH 1/2" THICK FIBERGLASS INSULATION AND JACKET.

ALL PENETRATIONS THROUGH MECHANICAL, ELECTRICAL AND PLUMBING PENETRATING FIRE PARTITIONS SHALL BE FIRE CAULKED.

ALL PENETRATIONS THROUGH RATED CONSTRUCTION SHALL BE SEALED WITH A MATERIAL CAPABLE OF PREVENTING THE PASSAGE OF FLAMES AND HOT GASES WHEN TESTED IN ACCORDANCE WITH ASTM-E814.

ALL PIPING LINES SHOWN ARE DIAGRAMMATIC.

#	REVISIONS	DESCRIPTION	DATE

PLUMBING

SHEET NO.