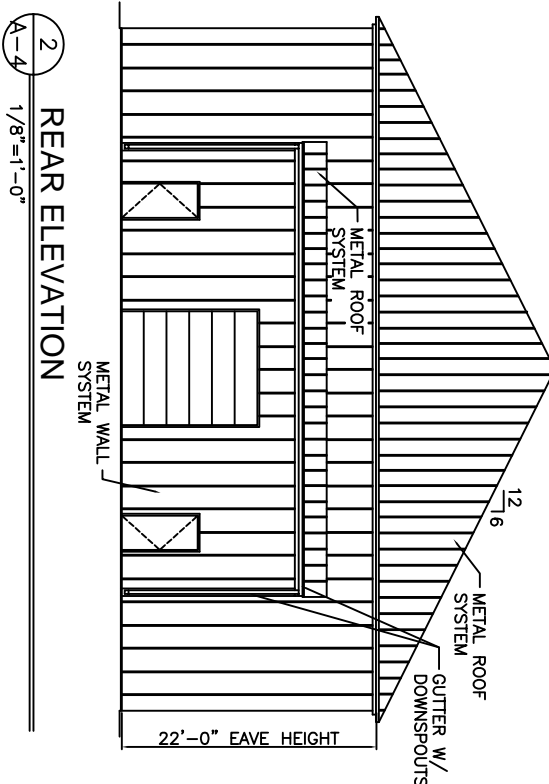
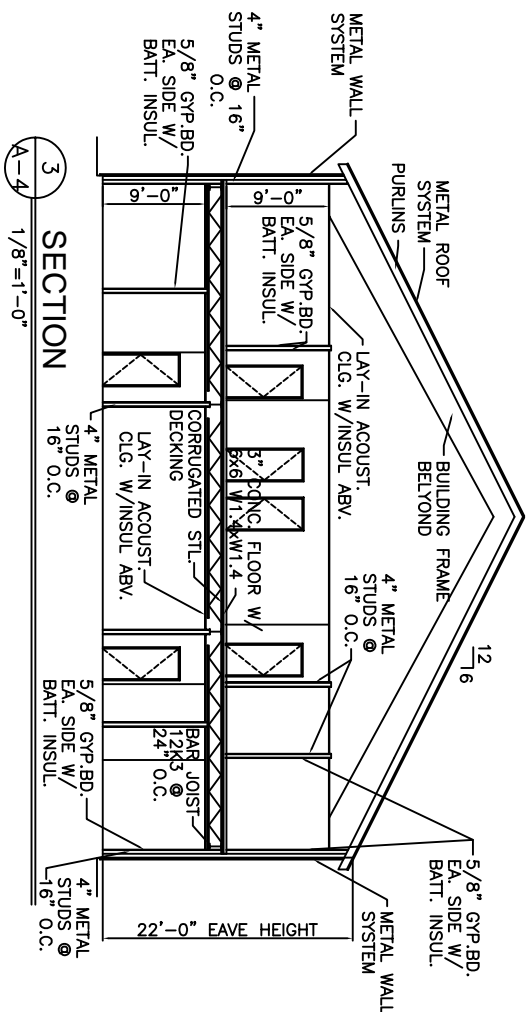


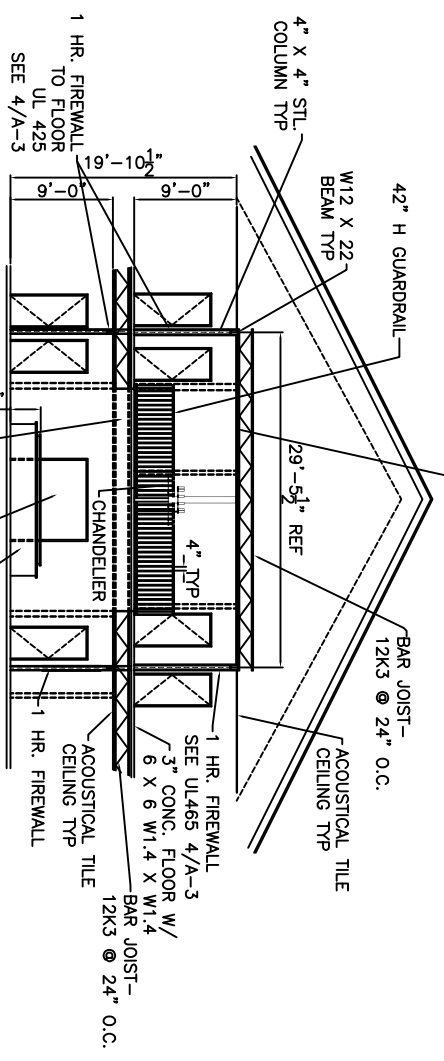
1 SIDE ELEVATION
1/8"=1'-0"



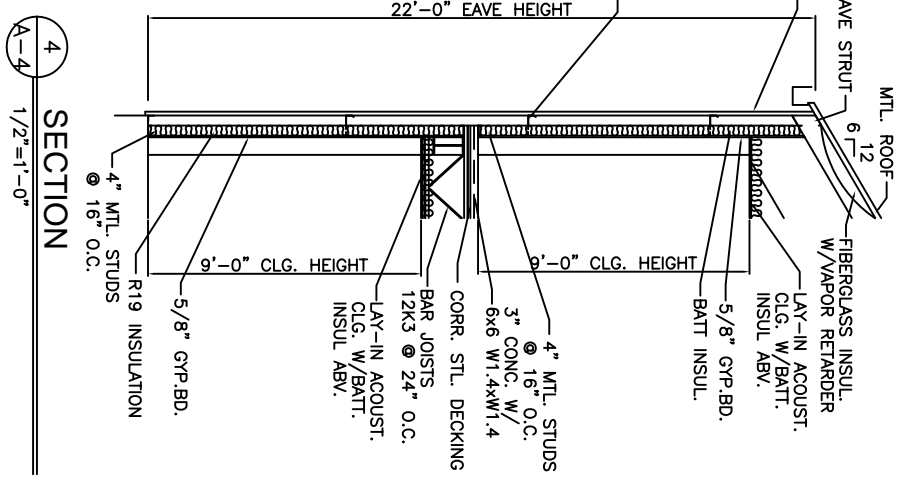
2 REAR ELEVATION
1/8"=1'-0"



3 SECTION
1/8"=1'-0"



8 ATRIUM SECTION
1/8"=1'-0"



4 SECTION
1/2"=1'-0"

EXTERIOR ELEVATIONS

PYTHON CONSTRUCTION
TRACT 361 OF N. OAKLAWN
ST. TAMMANY PARISH, LA

OFFICE/ WAREHOUSE
DAMMON ENGINEERING. INC.
1095 FLORIDA AVENUE 985-649-5832 SLIDELL, LA. 70458
DAMMONENGINEERING.COM

SCALE:AS NOTED
FILE:
JOB NO. 1595
DATE:03-08-05
SHEET 9
A-4
OF 21