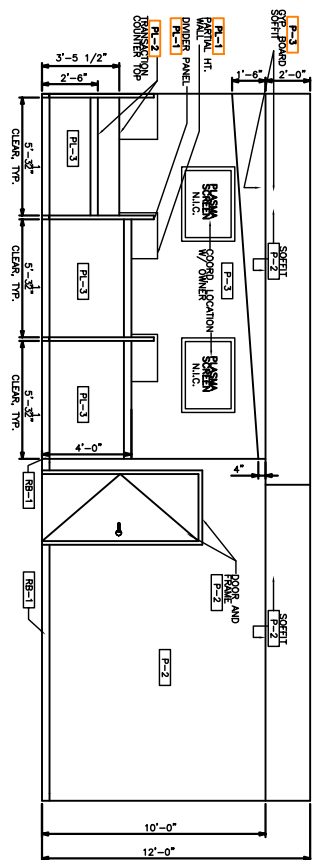
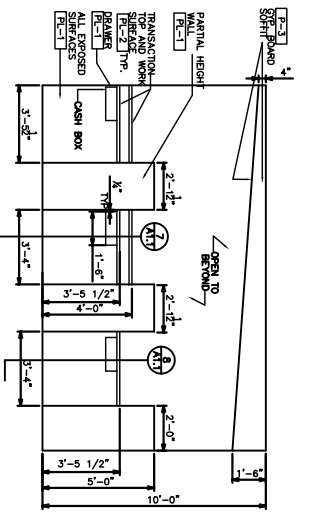


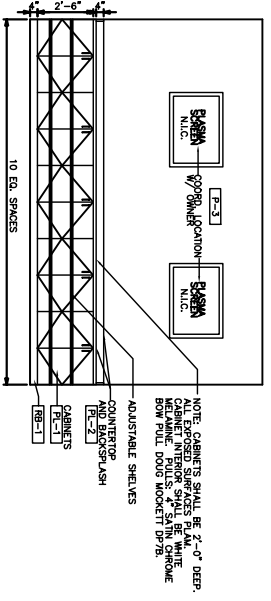
Drawn By: \_\_\_\_\_  
 Checked By: \_\_\_\_\_  
 Approved By: \_\_\_\_\_



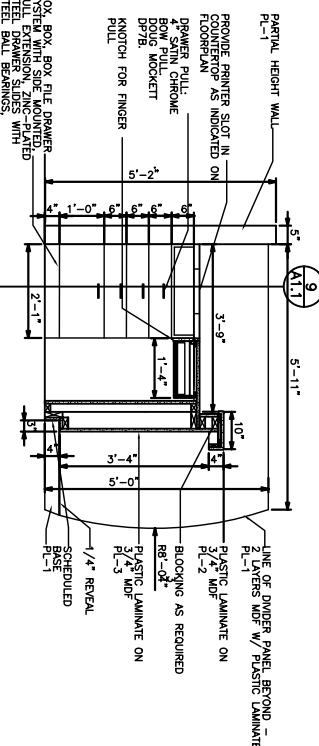
4 ELEVATION RETAIL  
 1/2" = 1'-0"  
 3/8" = 1'-0"



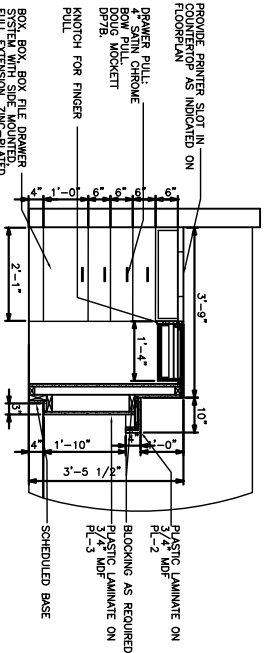
5 ELEVATION PAYMENT CENTER  
 1/2" = 1'-0"  
 3/8" = 1'-0"



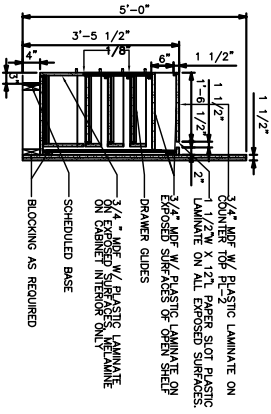
6 ELEVATION PAYMENT CENTER  
 1/2" = 1'-0"  
 3/8" = 1'-0"



7 SECTION PAYMENT CENTER DESK  
 1/2" = 1'-0"  
 3/8" = 1'-0"



8 SECTION PAYMENT CENTER DESK  
 1/2" = 1'-0"  
 3/8" = 1'-0"



9 SECTION BOX BOX FILE  
 1/2" = 1'-0"  
 3/8" = 1'-0"

NOTE:  
 THIS DRAWING WAS NOT PRODUCED BY WINZEN  
 MILLER DESIGN. THE DRAWING IS THE PROPERTY OF  
 WINZEN MILLER DESIGN. ANY REVISIONS OR  
 CHANGES TO THIS DRAWING SHALL BE DIRECTED TO  
 WINZEN MILLER DESIGN AND PARTNERS.



Design Services  
 For The Built  
 Environment

- Atlanta
- Birmingham
- Charlotte
- Chicago
- Dallas
- Fort Lauderdale
- Houston
- Knoxville
- Los Angeles
- Memphis
- Minneapolis
- New York
- Orlando
- Phoenix
- Portland
- Raleigh
- San Antonio
- Seattle
- Tampa

WINZEN MILLER DESIGN  
 ARCHITECTS AND  
 PLANNERS

WINZEN MILLER DESIGN

Architect: **PARDAL C. WINZEN**  
 COMMERCIAL ARCHITECTURE  
 ARCHITECTURAL DESIGN  
 ARCHITECTURAL CONTRACT WORK

1516 GARLAND BROOK TRAIL  
 ST. LOUIS, MISSOURI 63021  
 (636) 225-7677  
 (636) 225-7671 (FAX)  
 www.winzenmillerd.com

PERMIT DRAWINGS FOR:  
**CHARTER COMM. MARKETPLACE**  
 6524 MANCHESTER ROAD  
 ST. LOUIS, MO 63139  
 314.533.1888

REVISIONS

**ISS**  
 THE ST. LOUIS ARCHITECTURAL SOCIETY  
 1516 GARLAND BROOK TRAIL  
 ST. LOUIS, MISSOURI 63021  
 (636) 225-7677

DATE: 11.30.06  
 JOB NO.: 0665.1

ID. 2

2000