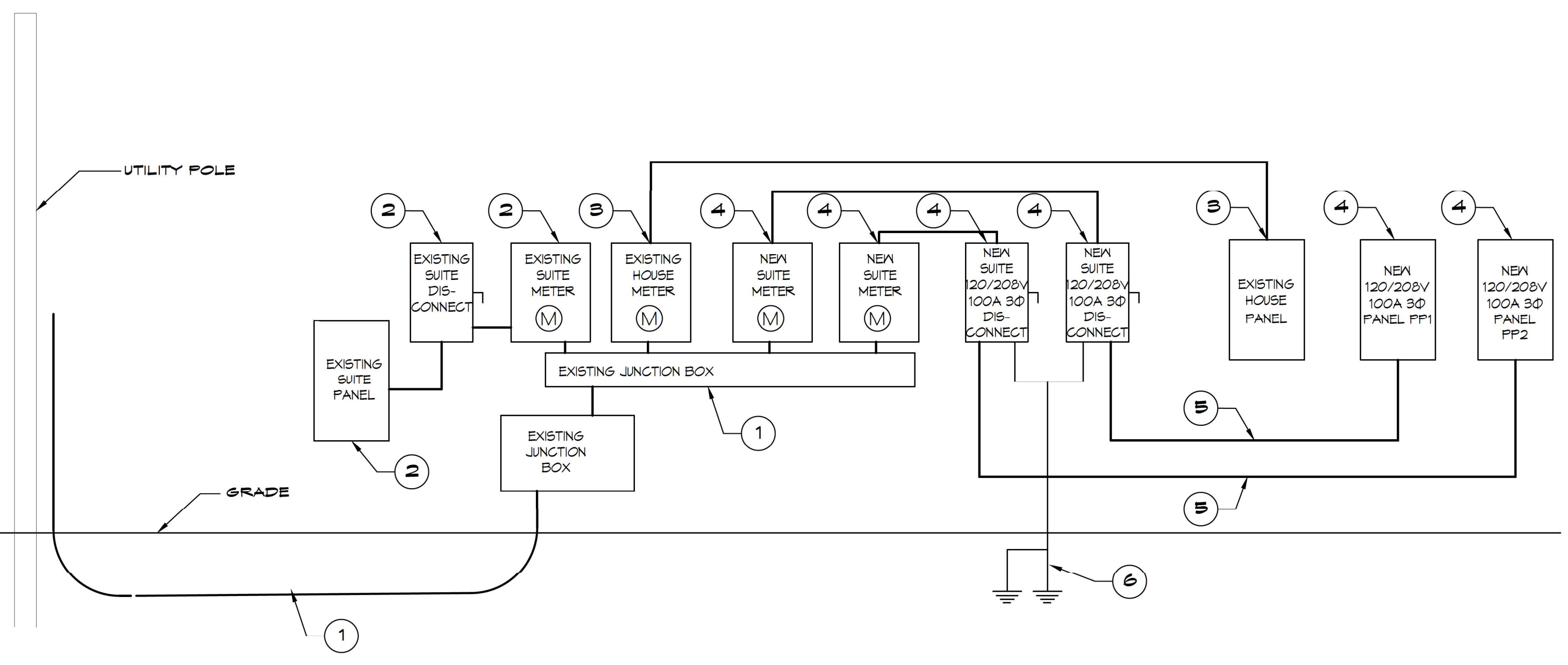


FILE NAME: ... Location: ... Action: ... Date: ...



- ONE LINE NOTES:
- EXISTING 120/208V 3Ø 200A SERVICE AND JUNCTION BOXES.
 - EXISTING SUITE 120/208V 3Ø METER, DISCONNECT AND PANELBOARD TO REMAIN.
 - EXISTING HOUSE 120/208V 3Ø METER AND PANELBOARD TO REMAIN.
 - NEW 120/208V 3Ø 100A METER, DISCONNECT AND PANELBOARD.
 - 4-#2 THHN, 1-#Ø GND, 1 1/4" C
 - 2 - 3/4" x 10' CU CLAD GND ROD, #2 CU GND WIRE. PROTECT IN PVC PIPE, CONNECT TO METAL BLDG, COLD WATER SUPPLY & GAS LINE. CAD WELD ALL CONNECTIONS.

14 RISER DIAGRAM
SCALE: NONE

PANEL SCHEDULE													
PANEL: PF-88			VOLTAGE: 120/208V 3Ø, 4 WIRE										
LOCATION: BACK HALL OF SUITE 3			ENCLOSURE: SURFACE MOUNTED, 100 AMP, 1V EQUIP										
FEEDER SOURCE:			GND BAR, 3Ø D TYPE GO LOAD CENTER										
CKT NO	THHN WIRE SIZE	LOAD DESCRIPTION LOCATION	BREAKER AMP POLE	LOAD (kva)	AD BO CO			LOAD (kva)	BREAKER POLE AMP	LOAD DESCRIPTION LOCATION	THHN WIRE SIZE	CKT NO	
1				3.0				2.6		SUITE 3 HEAT PUMP, CU-1	#10	2	
3	#8	SUITE 3 HVAC UNIT, AHU #1 V/HEAT	35 3	3.0				2.6	3 30	SUITE 3 HEAT PUMP, CU-1	#10	4	
5				3.0				2.6				6	
7	#12	SUITE 3 LIGHTS, TREATMENT ROOM AND RESTROOM	20 1	2.8				3.4	1 30	SUITE 3 TANKLESS WATER HEATER, RESTROOM	#10	8	
4	#12	SUITE 3 RECEPTACLES, TREATMENT ROOM	20 1	1.1				-	- -	SPARE	-	10	
11	-	SPARE	- -	-				-	- -	SPARE	-	12	
13	-	SPARE	- -	-				-	- -	SPARE	-	14	
15	-	SPARE	- -	-				-	- -	SPARE	-	16	
17	-	SPARE	- -	-				-	- -	SPARE	-	18	
19	-	SPARE	- -	-				-	- -	SPARE	-	20	
21	-	SPARE	- -	-				-	- -	SPARE	-	22	
23	-	SPARE	- -	-				-	- -	SPARE	-	24	
SOLID NEUTRAL NEUTRAL WIRE (N)				TOTAL CONNECTED LOAD (kva) = 26.0				GROUND BUS GROUND WIRE (G)					
				AD = 11.5		BO = 4.5		CO = 6.4					

PANEL SCHEDULE													
PANEL: PF-82			VOLTAGE: 120/208V 3Ø, 3 WIRE										
LOCATION: BACK HALL OF SUITE 3			ENCLOSURE: SURFACE MOUNTED, 100 AMP, 1V EQUIP										
FEEDER SOURCE:			GND BAR, 3Ø D TYPE GO LOAD CENTER										
CKT NO	THHN WIRE SIZE	LOAD DESCRIPTION LOCATION	BREAKER AMP POLE	LOAD (kva)	AD BO CO			LOAD (kva)	BREAKER POLE AMP	LOAD DESCRIPTION LOCATION	THHN WIRE SIZE	CKT NO	
1				3.0				2.6				2	
3	#8	SUITE 2 HVAC UNIT, AHU #1 V/HEAT	35 3	3.0				2.6	3 30	SUITE 2 HEAT PUMP, CU-1	#10	4	
5				3.0				2.6				6	
7	#12	SUITE 2 LIGHTS, TREATMENT ROOM AND RESTROOM	20 1	3.2				0.4	1 20	SUITE 2 DEDICATED RECEPTACLE, OFFICE 1	#12	8	
4	#12	SUITE 2 RECEPTACLES, TREATMENT ROOM	20 1	1.1				0.4	1 20	SUITE 2 DEDICATED RECEPTACLE, OFFICE 2	#12	10	
11	#10	SUITE 2 TANKLESS WATER HEATER, RESTROOM	30 1	3.4				-	- -	SPARE	-	12	
13	-	SPARE	- -	-				-	- -	SPARE	-	14	
15	-	SPARE	- -	-				-	- -	SPARE	-	16	
17	-	SPARE	- -	-				-	- -	SPARE	-	18	
14	-	SPARE	- -	-				-	- -	SPARE	-	20	
21	-	SPARE	- -	-				-	- -	SPARE	-	22	
23	-	SPARE	- -	-				-	- -	SPARE	-	24	
SOLID NEUTRAL NEUTRAL WIRE (N)				TOTAL CONNECTED LOAD (kva) = 26.2				GROUND BUS GROUND WIRE (G)					
				AD = 9.5		BO = 7.4		CO = 9.3					

DAMMON ENGINEERING, INC.
LOUISIANA & MISSISSIPPI

www.dammonengineering.com
info@dammonengineering.com
PH: 985.649.1832

Chief Engineer: Brian Wistich, PE
554 Old Spanish Trail
Slidell, LA 70468

REVISIONS	DATE
# DESCRIPTION	



RENOVATION
ACTION PHYSICAL
ATCATIONS &
SPORTS MEDICINE

107 SOUTH MILITARY RD
SLIDELL, LA 70461

JOB NO: 2451 | DATE: 11-22-2021 | CHECKED BY: AEP

DRAWN BY: CAD

SHEET TITLE:
PANEL SCHEDULE, ONE
LINE DIAGRAM AND ELEC.
LOAD SUMMARY

DRAWING NUMBER:
E102

SHEET No: 3 of 3