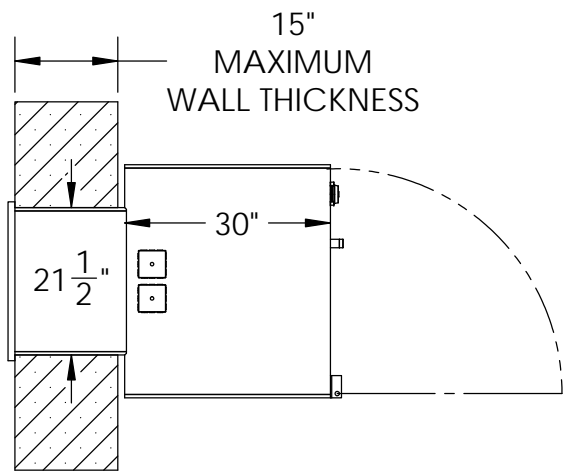
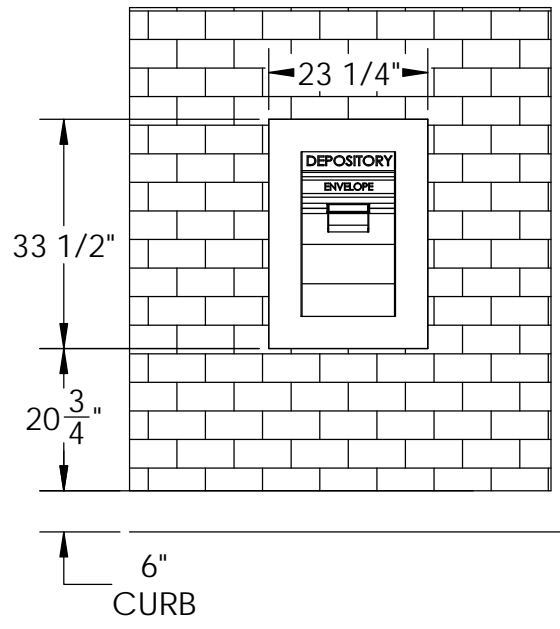


REV.	DESCRIPTION	DATE	APPROVED
------	-------------	------	----------



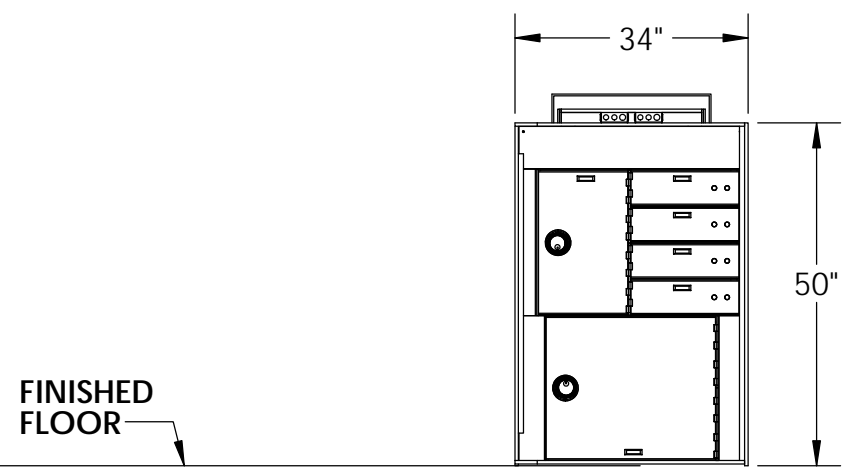
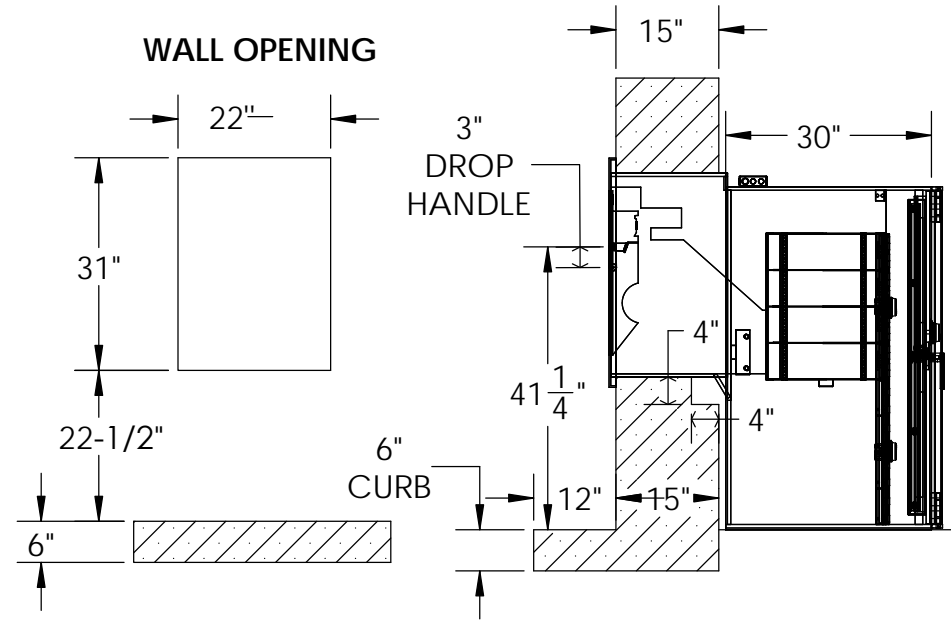
VS 421-LS
 TL-503430-NDH SAFE (15" MAX WALL)
 1/2" STEEL BODY
 50"H X 34"W X 30"D (32" WITH HINGE)
 LEFT HAND SWING
 PAINTED: BLACK
 DOOR CONTACT/THERMOSTAT ALARM KIT
 KEY LOCKING COMBO

CUSTOM PAINTED STEEL INTERIOR
 GOLD HINGES
 17-1/2" DEEP ADDED BOTTOM SUPPORT
 4 (FOUR) 5" X 16" DOORS W/SDB LOCKS
 1 (ONE) 20" X 13" DOOR W/KEY LOCKING COMBO
 1 (ONE) 21" X 24" DOOR W/KEY LOCKING COMBO

ND HEAD WITH ADA DEVICE & HANDLE
 CUSTOM SIDE BOLT NDH RETAINER

REPLACE ND HEAD LOCK WITH ILCO LOCK
 PART#: RC6-YA-626-KA2
 YALE 8 KEYWAY

APPROVED BY: _____
 DATE: _____



Vault Structures, Inc.
 3640 WORK DRIVE,
 FORT MYERS, FL 33916,
 Telephone: 239-332-3270
 Fax: 239-332-5593

PROPRIETARY AND CONFIDENTIAL
 THE INFORMATION CONTAINED IN
 THIS DRAWING IS THE SOLE
 PROPERTY OF VAULT STRUCTURES,
 INC. ANY REPRODUCTION IN PART
 OR AS A WHOLE WITHOUT THE
 WRITTEN PERMISSION OF VAULT
 STRUCTURES, INC IS PROHIBITED.

MATERIAL :
 GAUGE :
 GRAIN :
 BEND RAD. :
 K-FACTOR :

DWG. NO. TL15-503430 NDH
 SAFE.SLDPRT
 TITLE: TBD

DRAWN BY: XXX
 MODEL BY:

WEIGHT: 2174.36
 SCALE: 1:28

DATE: 10/11/2013
 SHEET 1 OF 2

REV
X