

DAMMON
ENGINEERING, INC.

CHIEF ENGINEER
EMMETT
DAMMON, P.E.

CHIEF ARCHITECT
ROBERT
WILTSE

554 OLD SPANISH TRAIL
SUDELL, LA. 70458
OFFICE: 985-649-5832
FAX: 985-641-5950

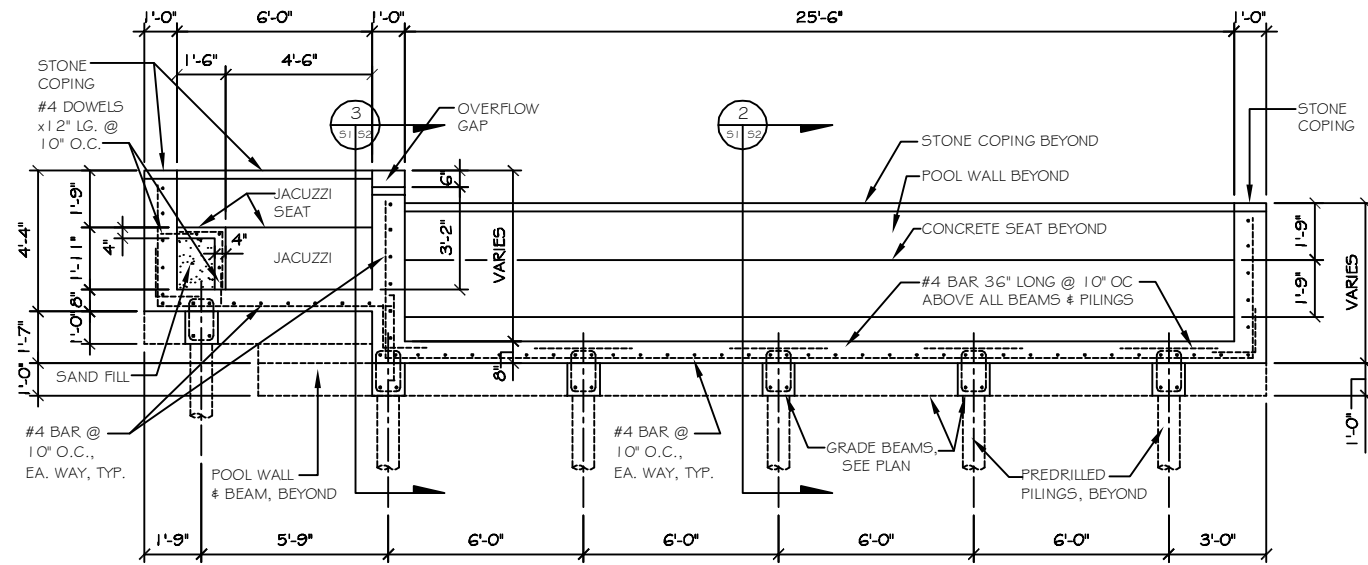
WEBSITE:
WWW.DAMMONENGINEERING.COM

EMAIL:
DAMMONENG@BELLSOUTH.NET

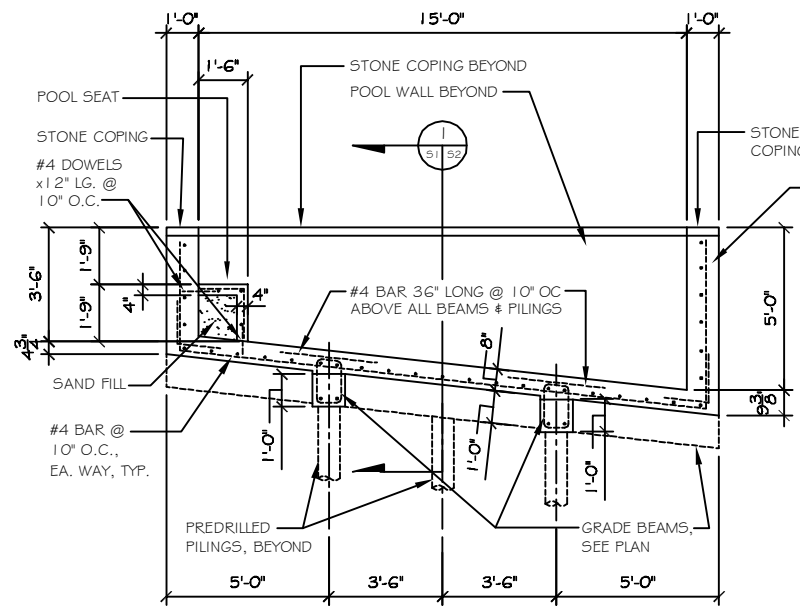
ARCHITECTURE
ENGINEERING
STUDIES
PLANNING
INVESTIGATION
EXPERT WITNESS

RCI POOLS
AT LAKEVIEW
NEW ORLEANS,
LOUISIANA

POOL
SECTIONS

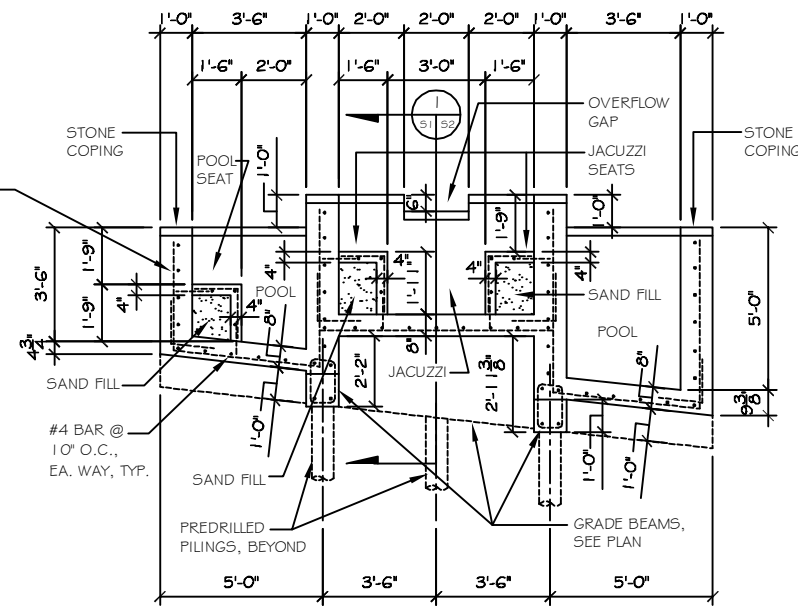


POOL CROSS-SECTION 1
SCALE: 3/8"=1'



POOL CROSS-SECTION 2
SCALE: 3/8"=1'

NOTE: SEE DETAILS ON SHEET S1
FOR REBAR SIZES & SPACING
NOT SHOWN



POOL/JACUZZI CROSS-SECTION 3
SCALE: 3/8"=1'

REV:

SCALE: AS NOTED

JOB#:

DATE: 06-14-11

SHEET 2

S-2

OF 2

This document was created with Win2PDF available at <http://www.win2pdf.com>.
The unregistered version of Win2PDF is for evaluation or non-commercial use only.
This page will not be added after purchasing Win2PDF.