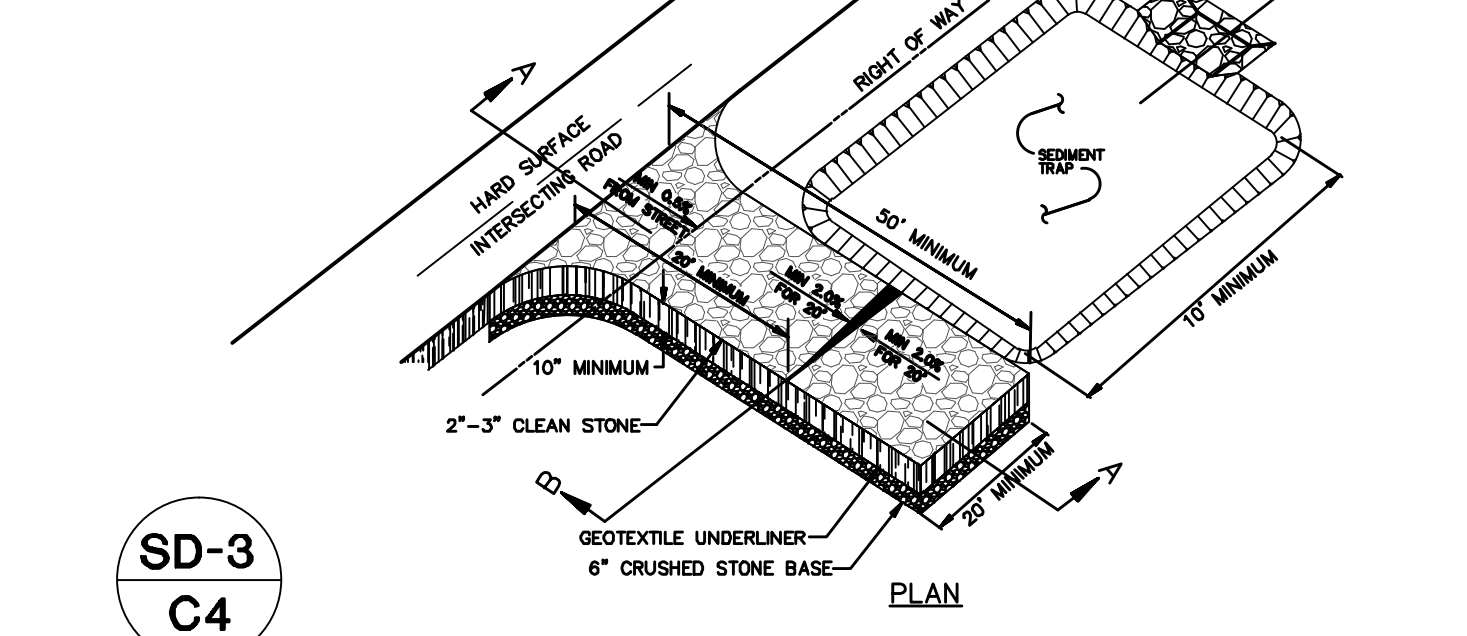
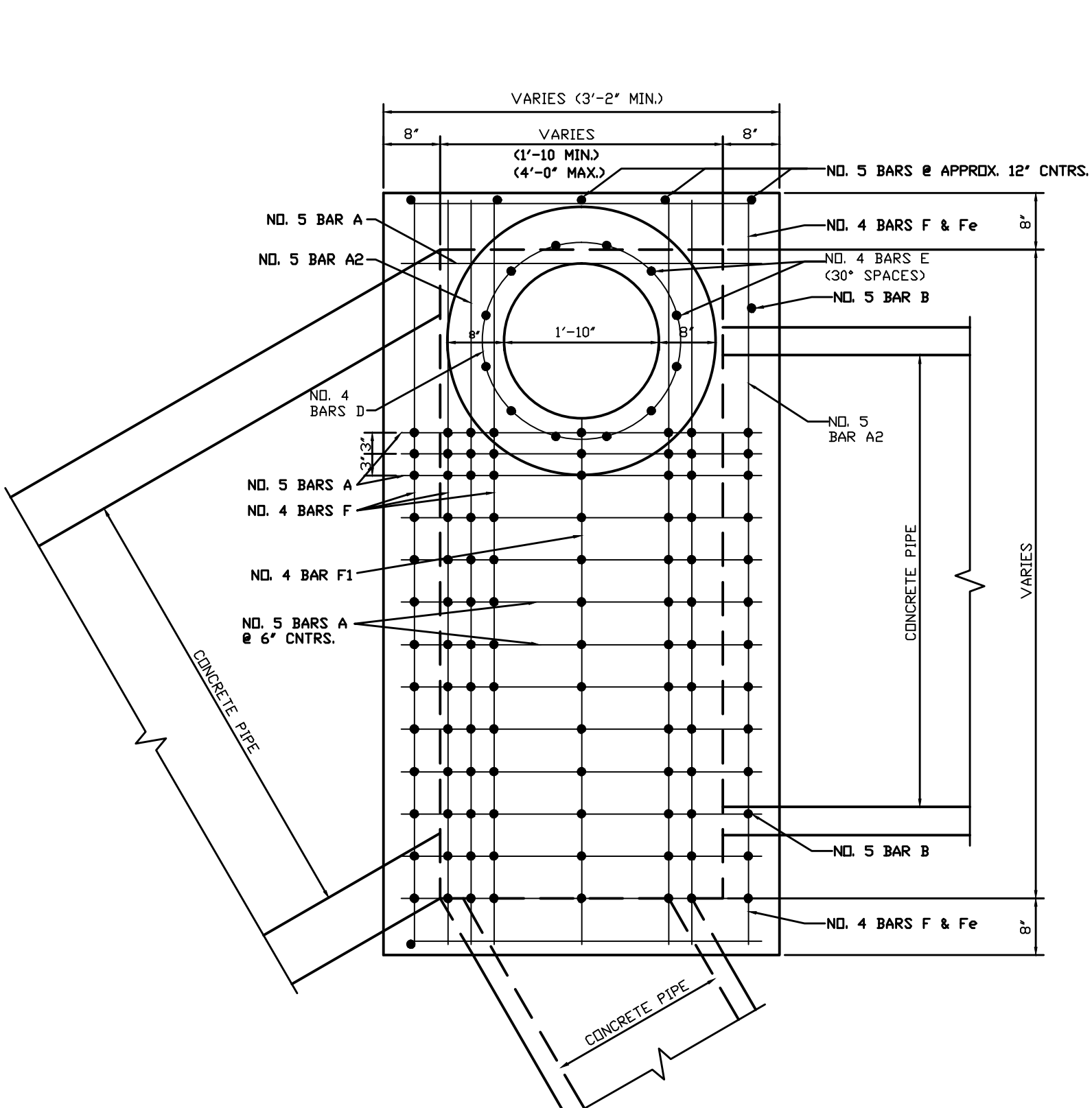


**NOTES:**  
 PROVIDE SEDIMENT TRAP ON DOWN GRADIENT SIDE (OR BOTH SIDES) AS REQUIRED.  
 FLUSH SURFACE STONE TOWARD SEDIMENT TRAP WITH HIGH VOLUME WATER FLOW AS NEEDED TO MAINTAIN CLEAN SURFACE STONE.  
 PLACEMENT OF SEDIMENT TRAP SHALL BE AT LEAST THE MINIMUM DISTANCE FROM THE RIGHT OF WAY AS REQUIRED BY LOCAL JURISDICTION.

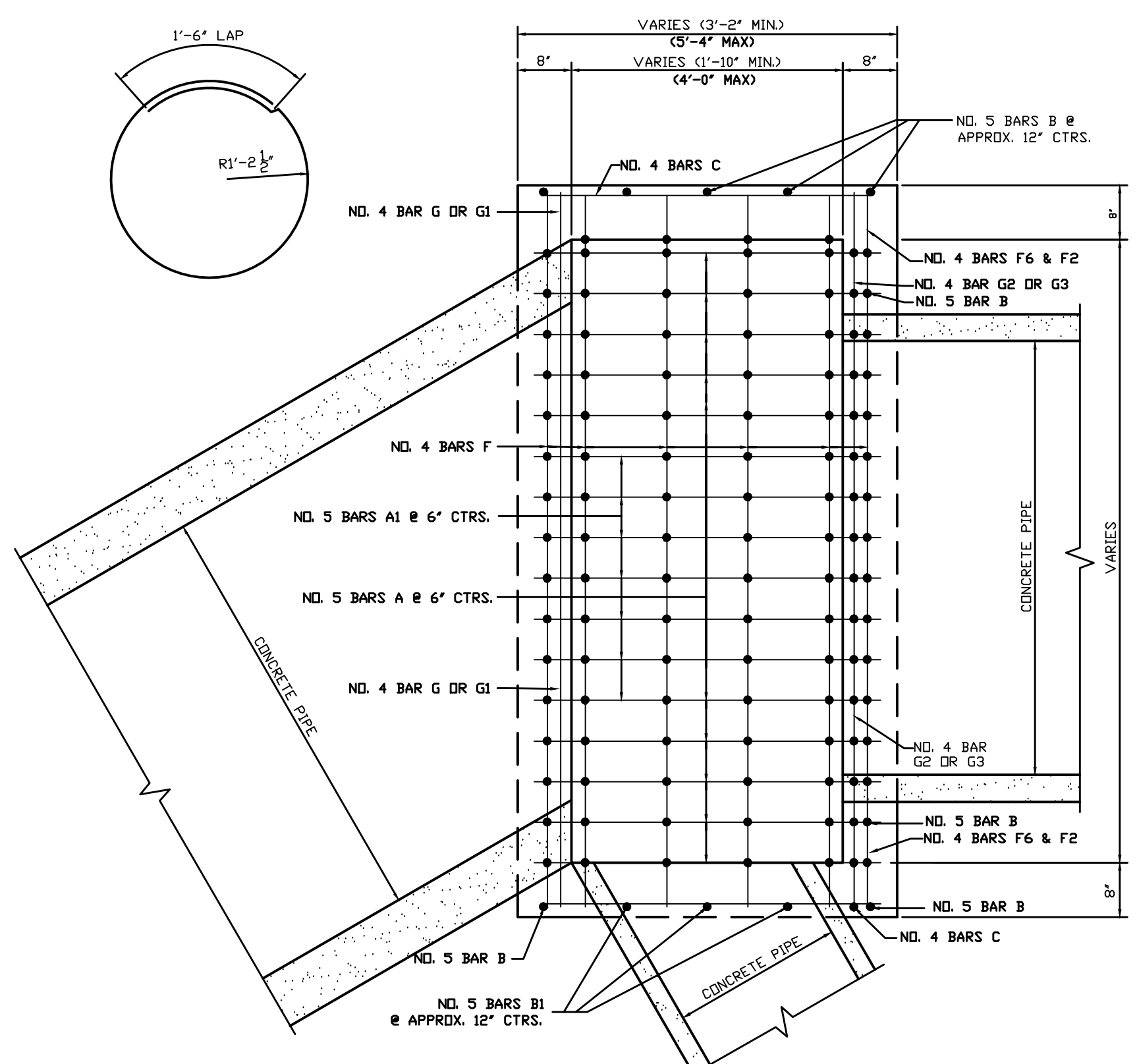


SD-3  
C4

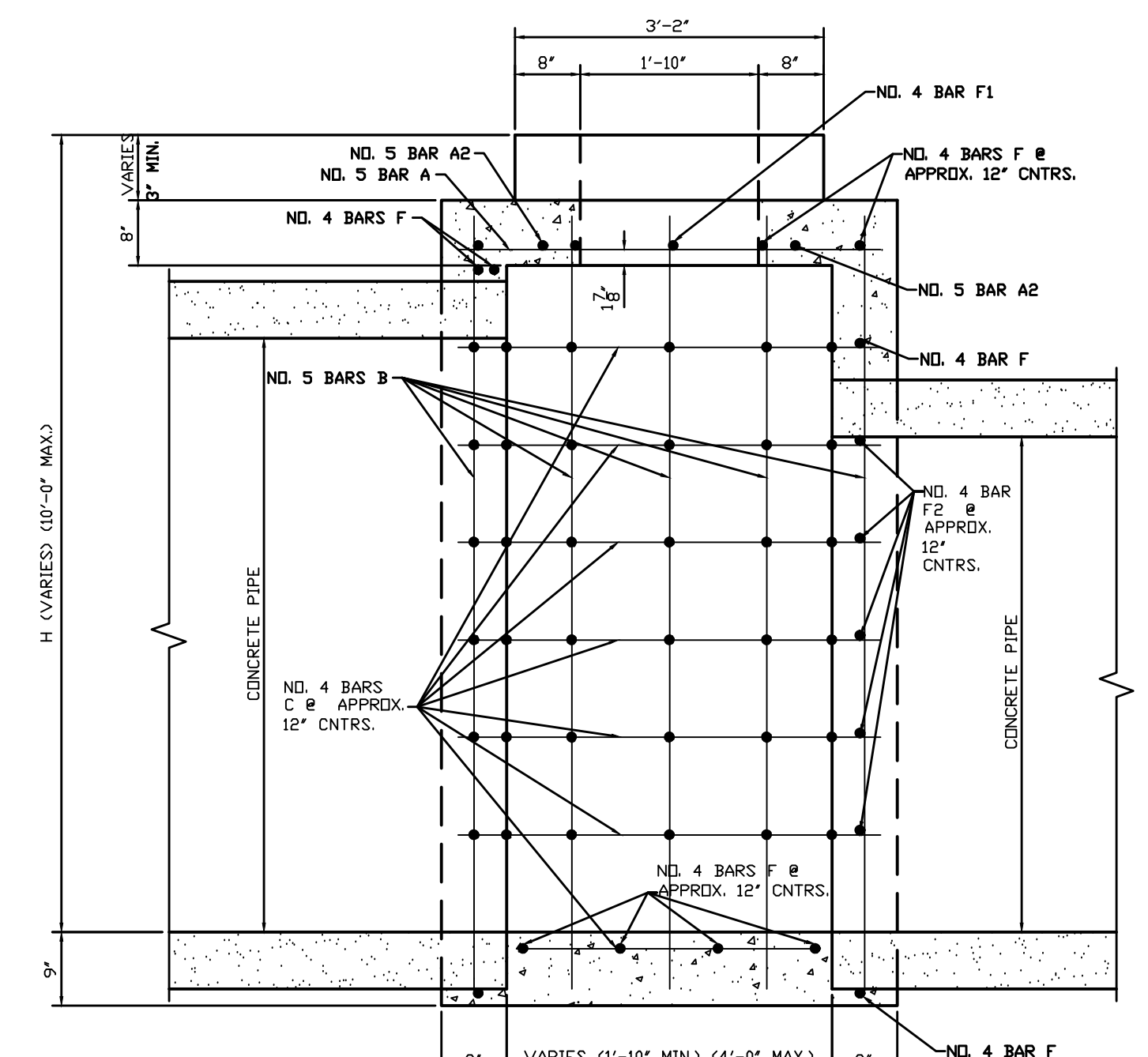
**CONSTRUCTION EXIT**  
N.T.S.



PLAN VIEW

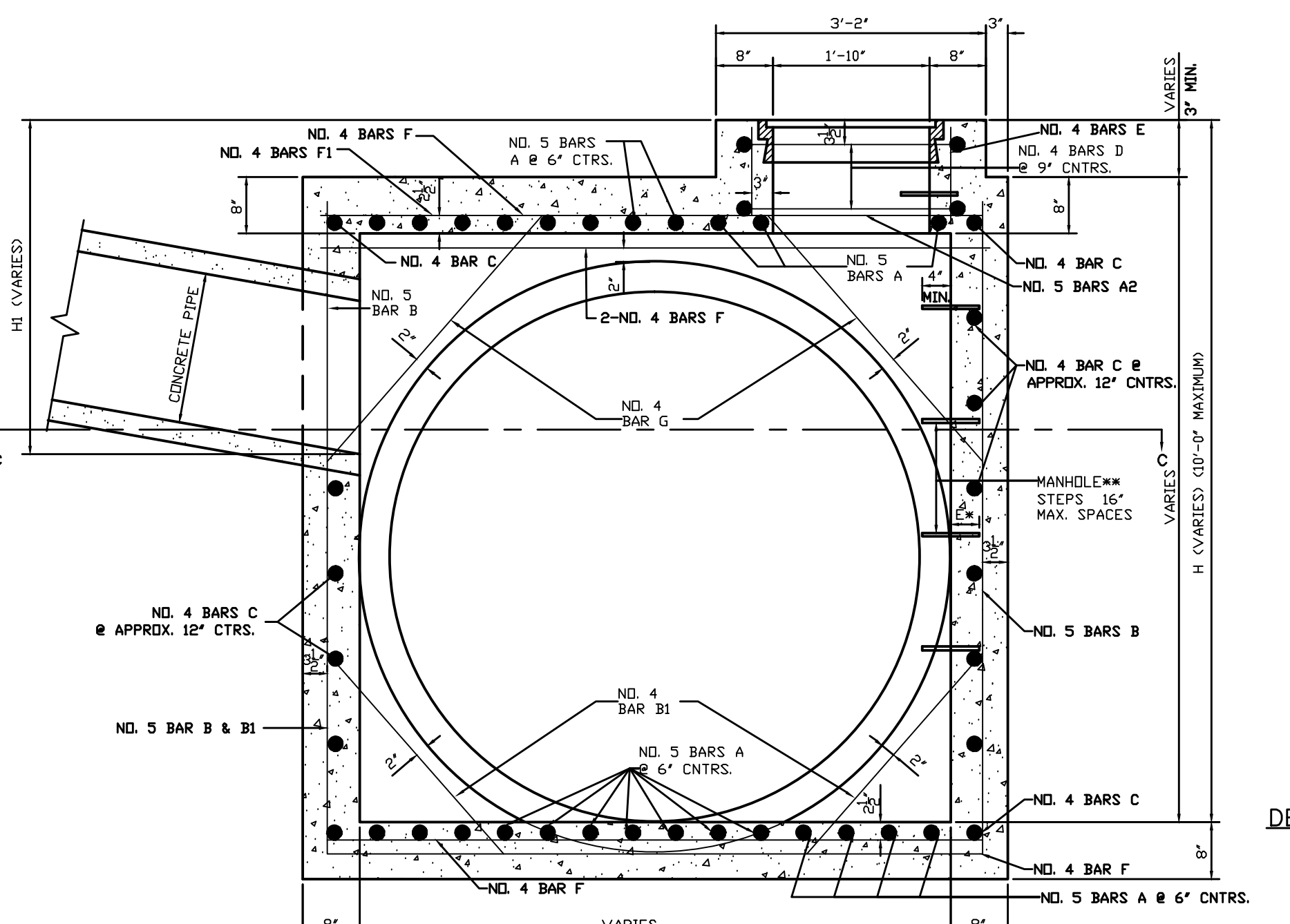


SECTION C-C

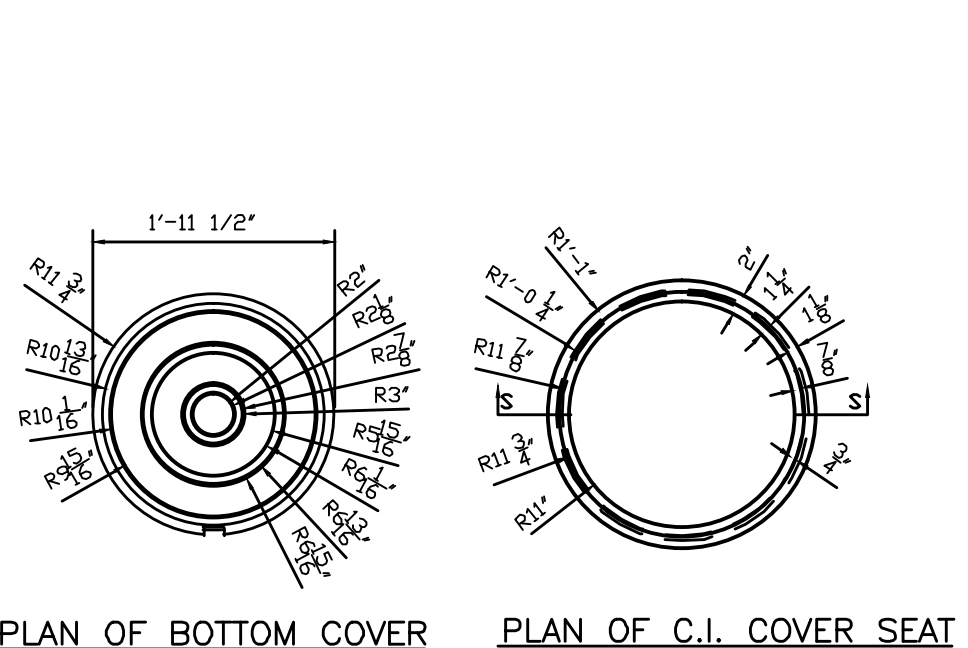


SECTION B-B

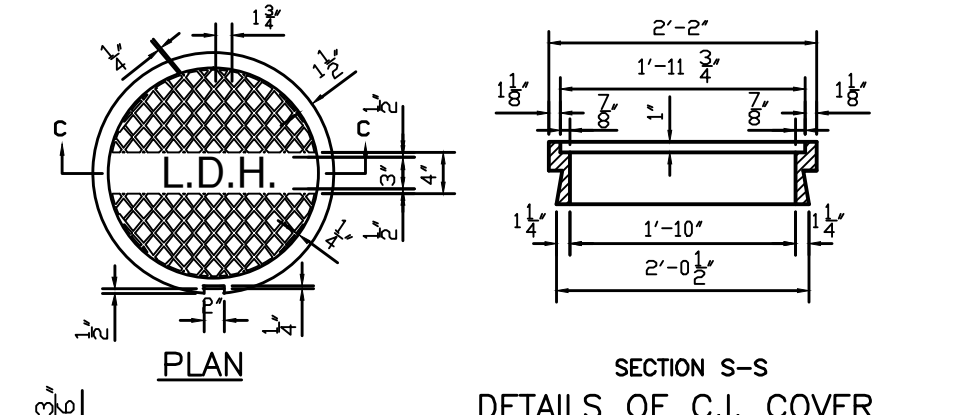
R-CB-11 MOD  
N.T.S.



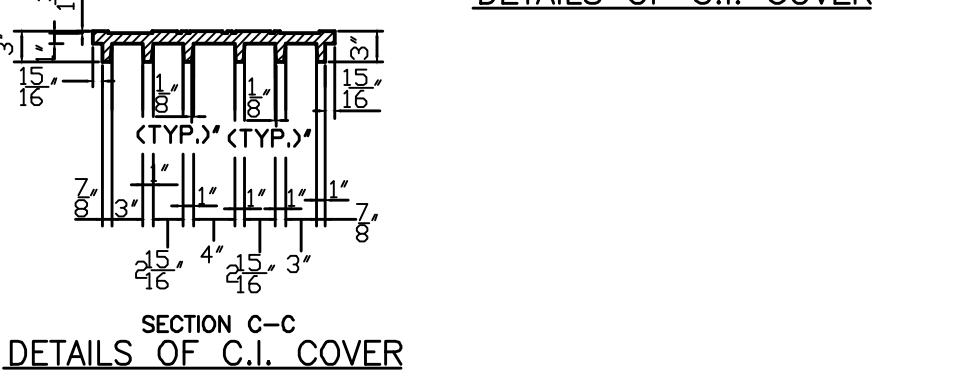
SECTION A-A



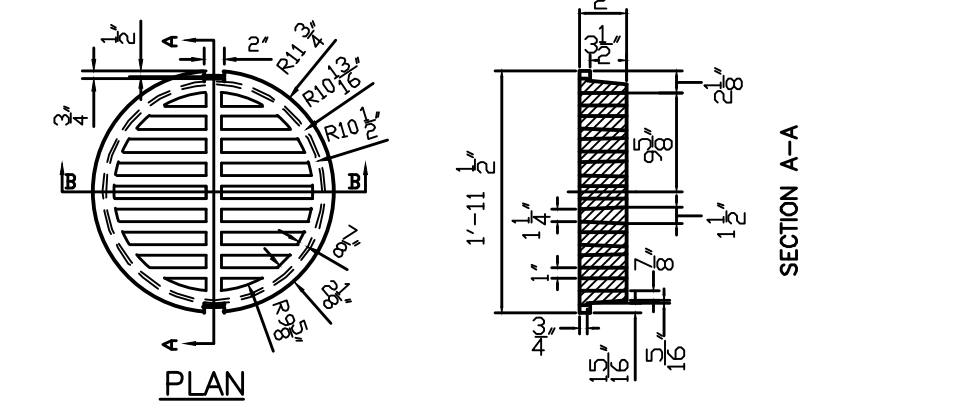
PLAN OF BOTTOM COVER  
PLAN OF C.I. COVER SEAT



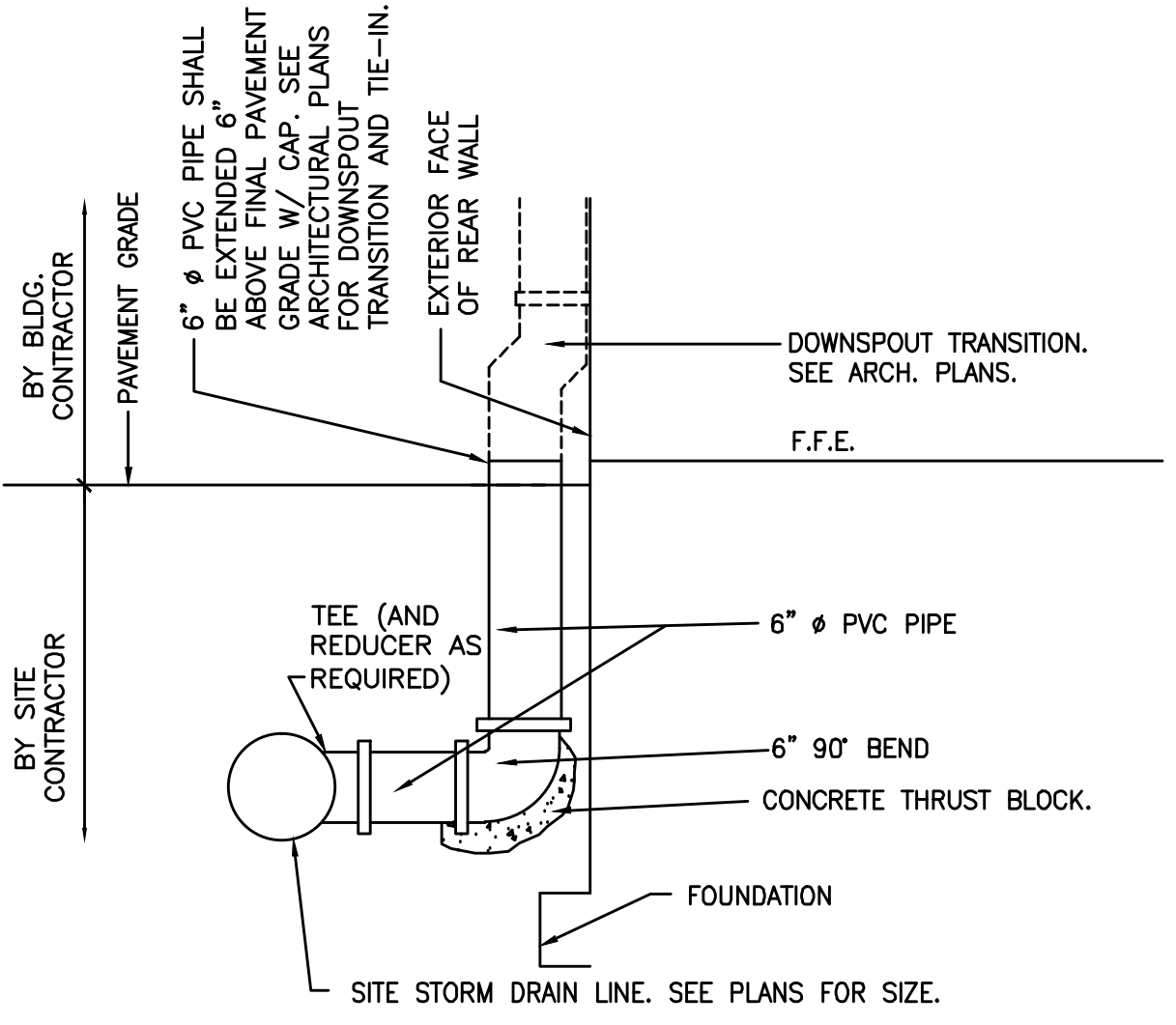
SECTION S-S  
DETAILS OF C.I. COVER



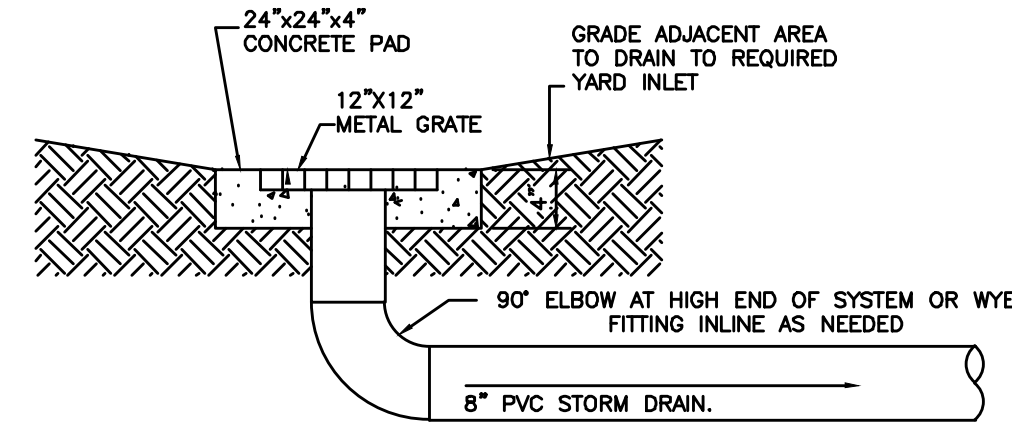
SECTION C-C  
DETAILS OF C.I. COVER



SECTION A-A  
DETAILS OF (H20-44) C.I. GRATE-TYPE COVER



**DOWNSPOUT COLLECTOR DRAIN**



**YARD INLET DETAIL**  
NOT TO SCALE

REVISION	BY

**DDG**  
 DUPLONTIS DESIGN GROUP, PC  
 CIVIL ENGINEERING ARCHITECTURE  
 34 LOUIS PRIMA DRIVE COVINGTON, LA 70433  
 WWW.DDGP.COM PHONE: 985-249-6880 FAX: 985-249-6190  
 THIBODAUX | COVINGTON | HOUSTON | BATON ROUGE | LOUISIANA

PROGRESS SET - FOR REVIEW ONLY  
 Issued 07/08/14  
 These documents are for Design Review and not intended for construction. They were prepared by, or under the supervision of, Douglas E. Barilleaux, P.E., #34541 Duplontis Design Group, PC.

SPRINGS AT FREMAUX TOWN CENTER  
 SLIDELL, LOUISIANA  
 ST. TAMMANY PARISH  
 FOR CONTINENTAL 294 FUND LLC  
 MEMONEE FALLS, WI

DRAWN DGS
CHECKED DEB
ISSUED DATE 8/23/14
ISSUED FOR PERMITTING
PROJECT NO. 14-248
FILE 14-248 DETAILS

SHEET  
D-4

**DETAIL SHEET**