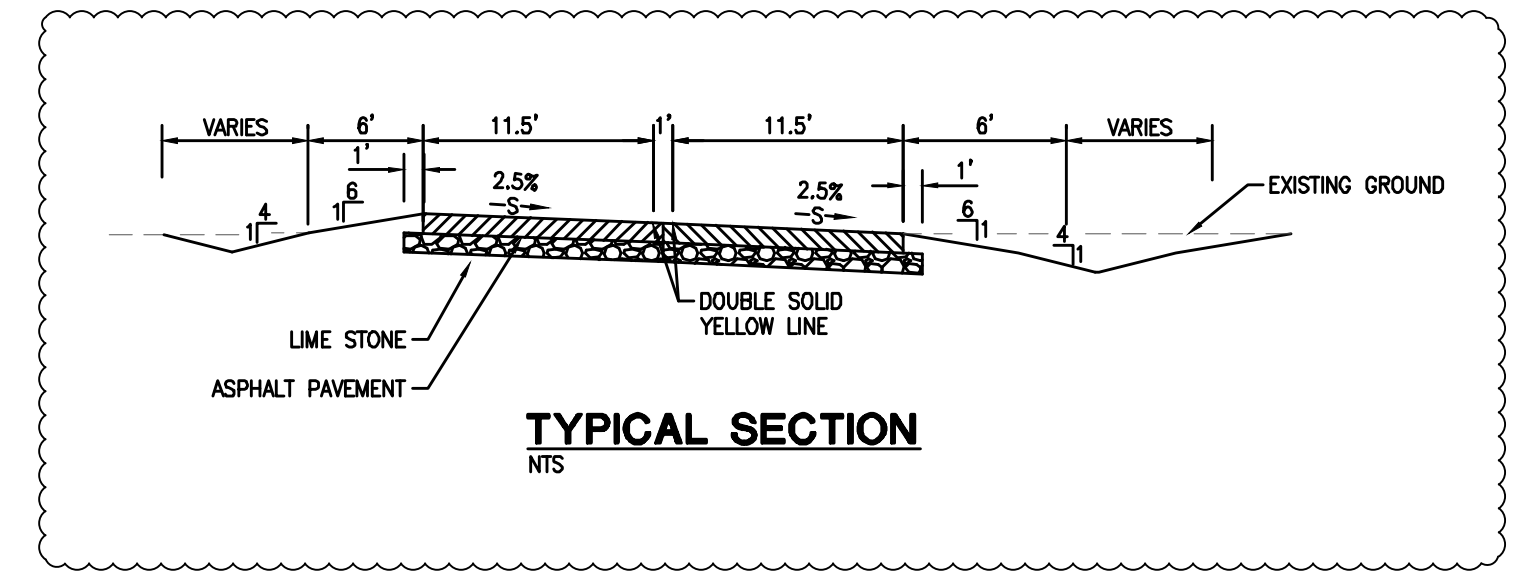
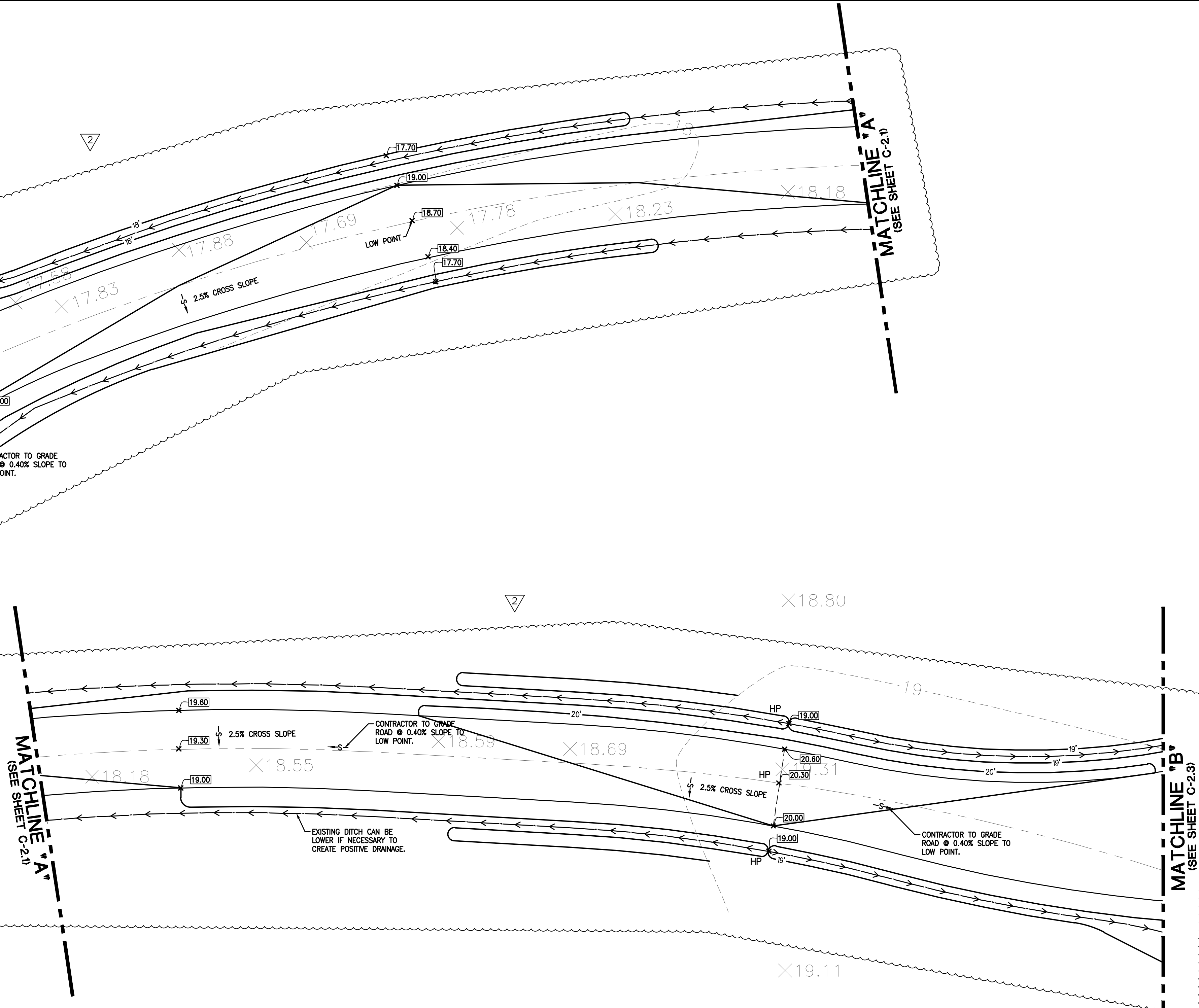
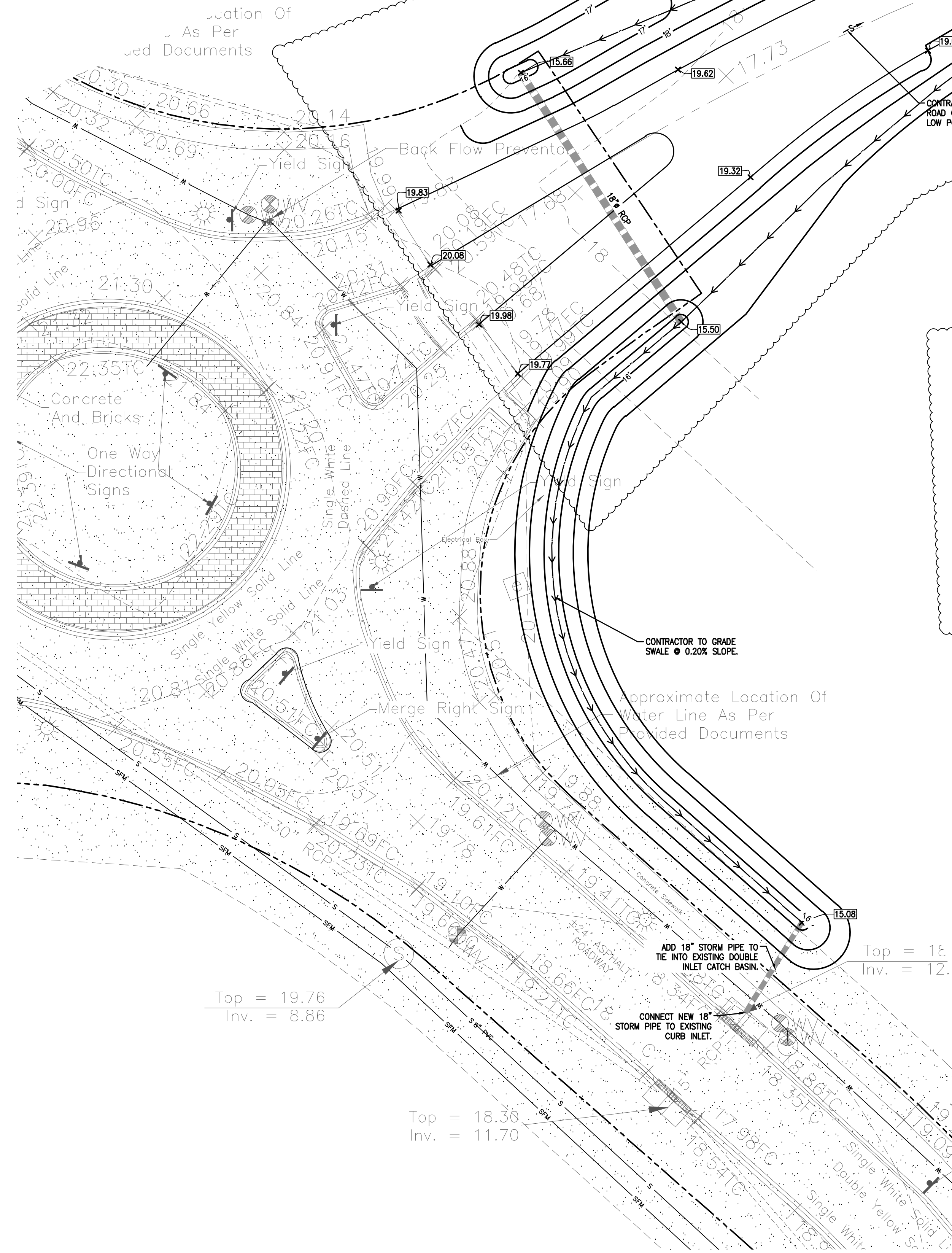


**KEY MAP  
NTS**



**LEGEND - EXISTING**

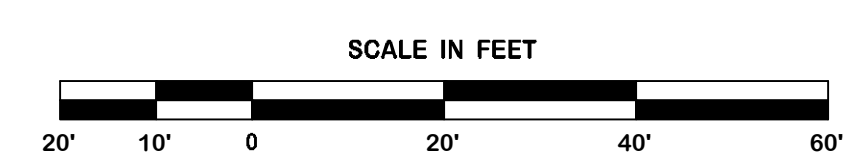
FOUND 3/4" G.L.P.	○	ELEVATION OF TOP OF STRUCTURE	TOP = 18.00
EXISTING POWER POLE	⊗	ELEVATION OF BOTTOM OF STRUCTURE	INV. = 15.00
EXISTING POWER POLE WITH LIGHT	⊗	EXISTING SPOT ELEVATION	X 1.59
EXISTING GUY ANCHOR	→	ELEVATION OF TOP OF CURB	18.50 TC
EXISTING OVERHEAD POWER LINE	—○—	ELEVATION OF FACE OF CURB	18.00 FC
EXISTING GAS METER	GM □	EXISTING SUBSURFACE DRAINAGE	—
EXISTING GAS VALVE	⊕	EXISTING CATCH BASIN/DROP INLET	■
EXISTING GAS LINE	—G—	EXISTING REINFORCED CONCRETE PIPE	18" RCP
EXISTING SEWER MANHOLE	⊙	EXISTING CORRUGATED METAL PIPE	24" CMP
EXISTING GRAVITY SEWER LINE	—S—	EXISTING SEWER FORCE MAIN	—SFM—

**LEGEND - NEW IMPROVEMENTS**

SUBSURFACE DRAINAGE	—
MANHOLE	●
AREA INLET	■
CLEANOUT	⊗ C.O.
CONTOUR	—12
SPOT ELEVATION	X 12.00
SLOPE	—S—
STRUCTURE NUMBER	1
RIP RAP	▨



# GRADING PLAN 1



**REVISION BY**

▽	8-27-15	DJG
▽	10-28-15	SMT

**DDG**  
 CIVIL ENGINEERING - ARCHITECTURE  
 DUPLANTIS DESIGN GROUP, PC  
 34 LOUIS PRIMA DRIVE COVINGTON, LA 70433  
 WWW.DDGP.COM PHONE: 985-249-6860 FAX: 985-249-6190  
 THIBODAX | COVINGTON | HOUSTON | BATON ROUGE | HOUMA | DALLAS

*Thomas H. Buckel*  
 SIGNATURE  
 10/28/2015  
 DATE  
 THOMAS H. BUCKEL  
 PROFESSIONAL ENGINEER  
 STATE OF LOUISIANA  
 14-597

SPRINGS @ RIVER CHASE  
 COVINGTON, LA  
 ST. TAMMANY PARISH  
 FOR CONTINENTAL 339 FUND LLC  
 COVINGTON, LA

DRAWN DJG  
 CHECKED THB  
 ISSUED DATE 10/28/2015  
 ISSUED FOR CONSTRUCTION  
 PROJECT NO. 14-597  
 FILE GRADING  
 SHEET C-2.1

M:\CAD\DWG\14-000\14-597\_DWG\GRADING.dwg